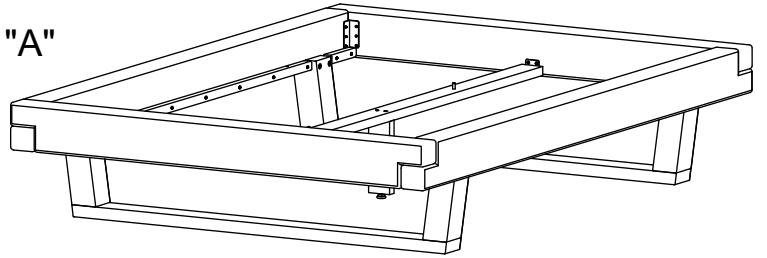
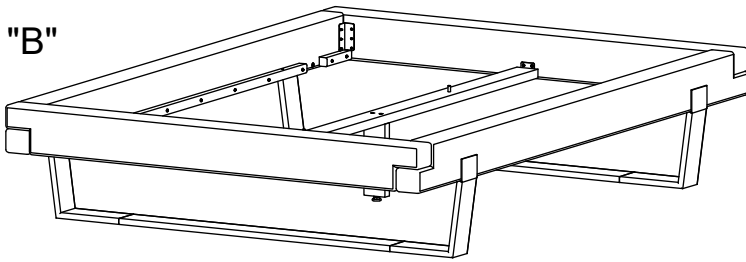


# Bed

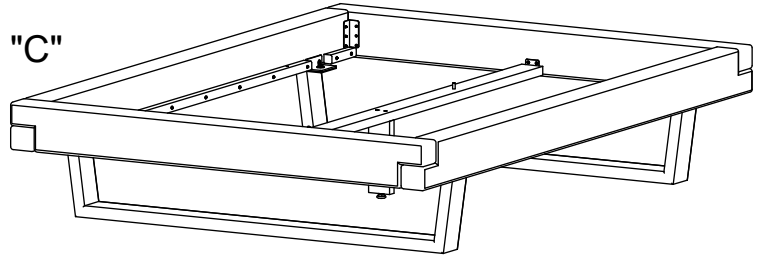
"A"



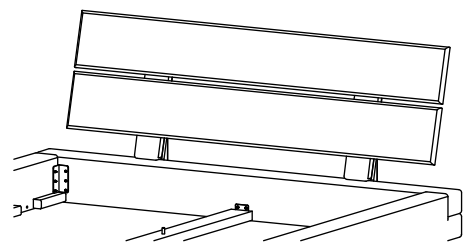
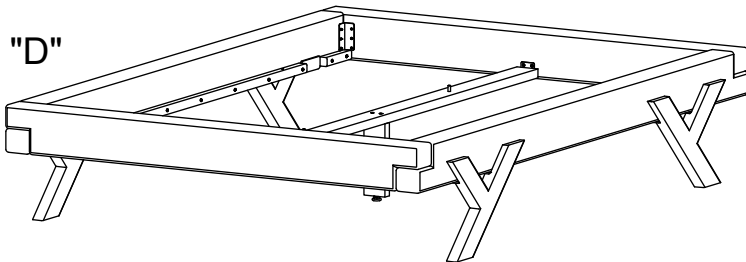
"B"



"C"

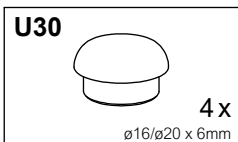
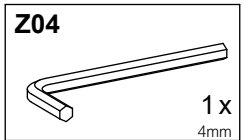
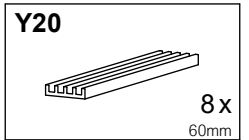
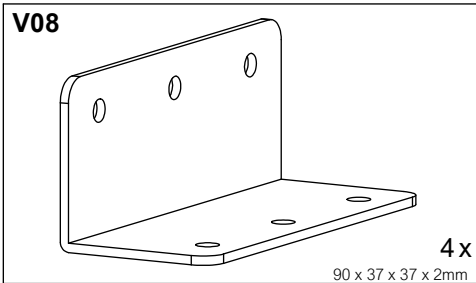
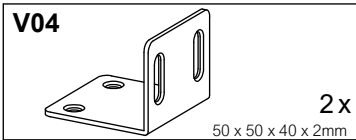
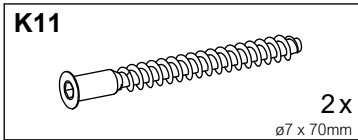
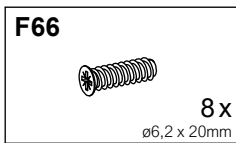
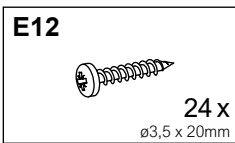
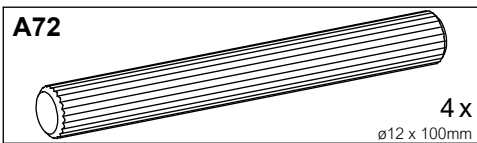
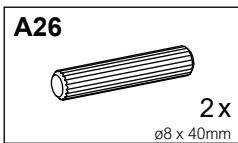
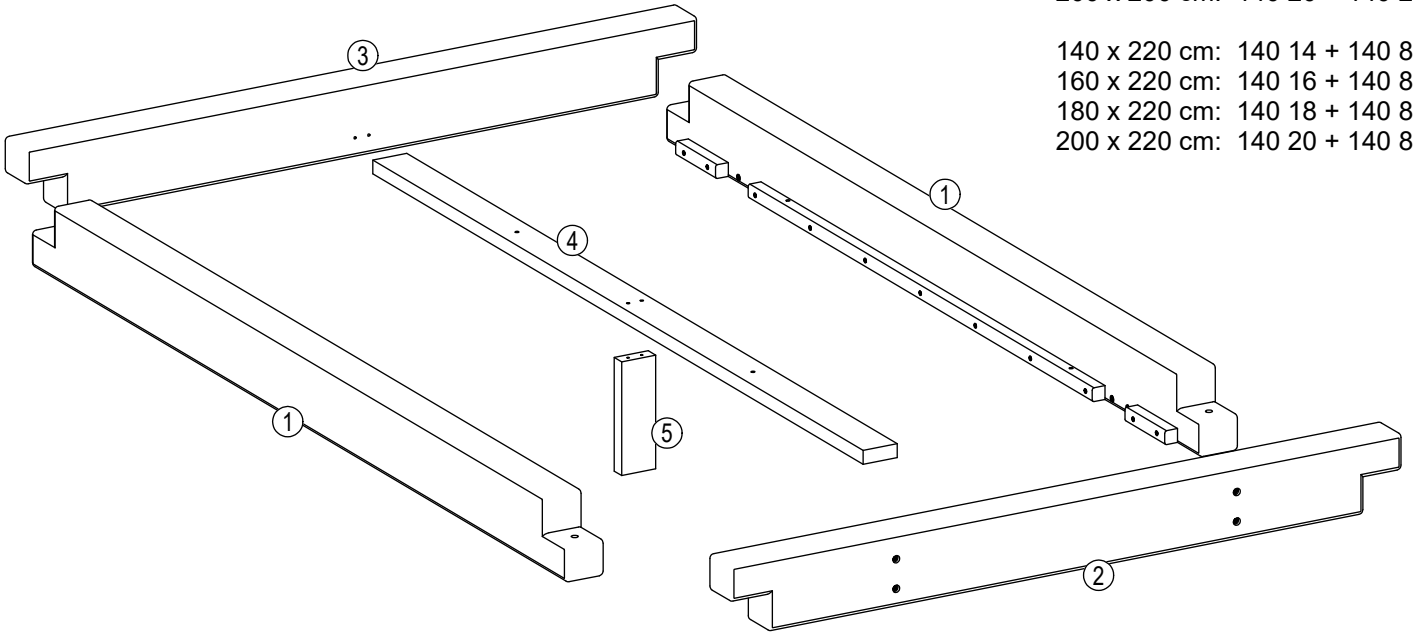


"D"

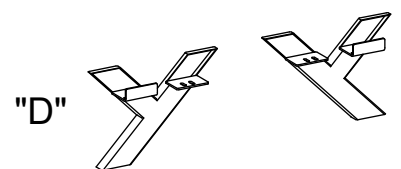
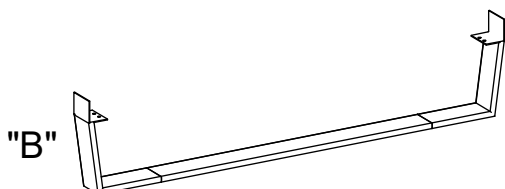
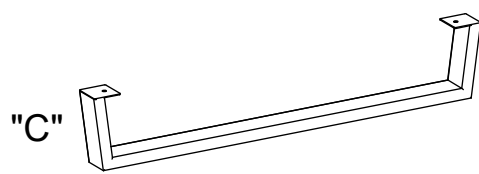
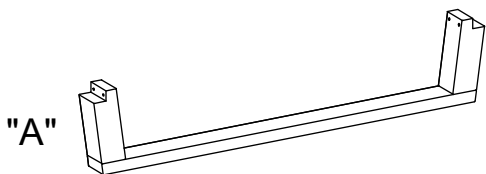


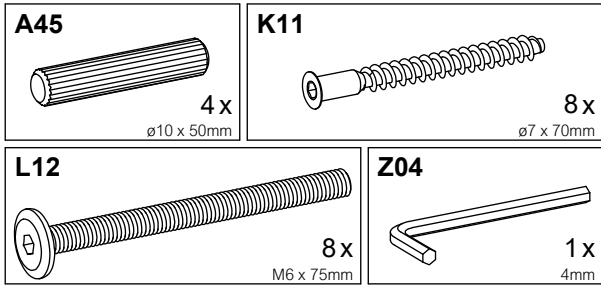
140 x 200 cm: 140 14 + 140 25  
 160 x 200 cm: 140 16 + 140 25  
 180 x 200 cm: 140 18 + 140 25  
 200 x 200 cm: 140 20 + 140 25

140 x 220 cm: 140 14 + 140 82  
 160 x 220 cm: 140 16 + 140 82  
 180 x 220 cm: 140 18 + 140 82  
 200 x 220 cm: 140 20 + 140 82

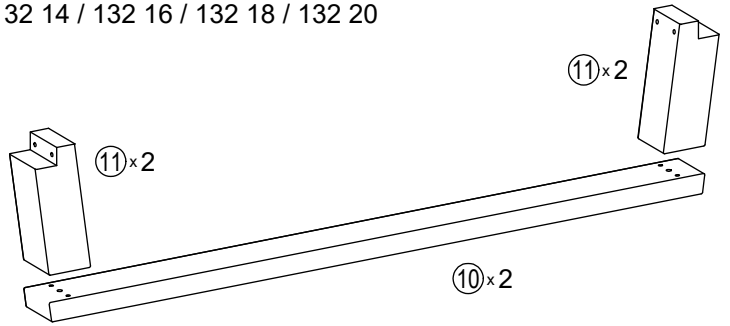


U30 is only included  
 for beds without  
 headboard.

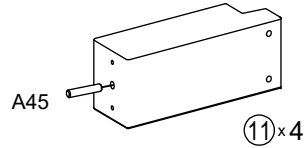
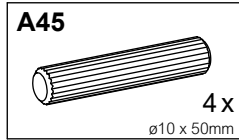




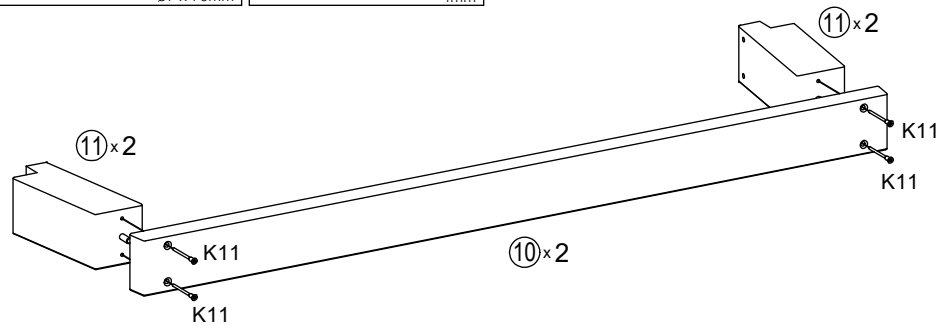
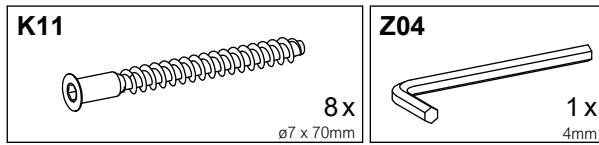
132 14 / 132 16 / 132 18 / 132 20



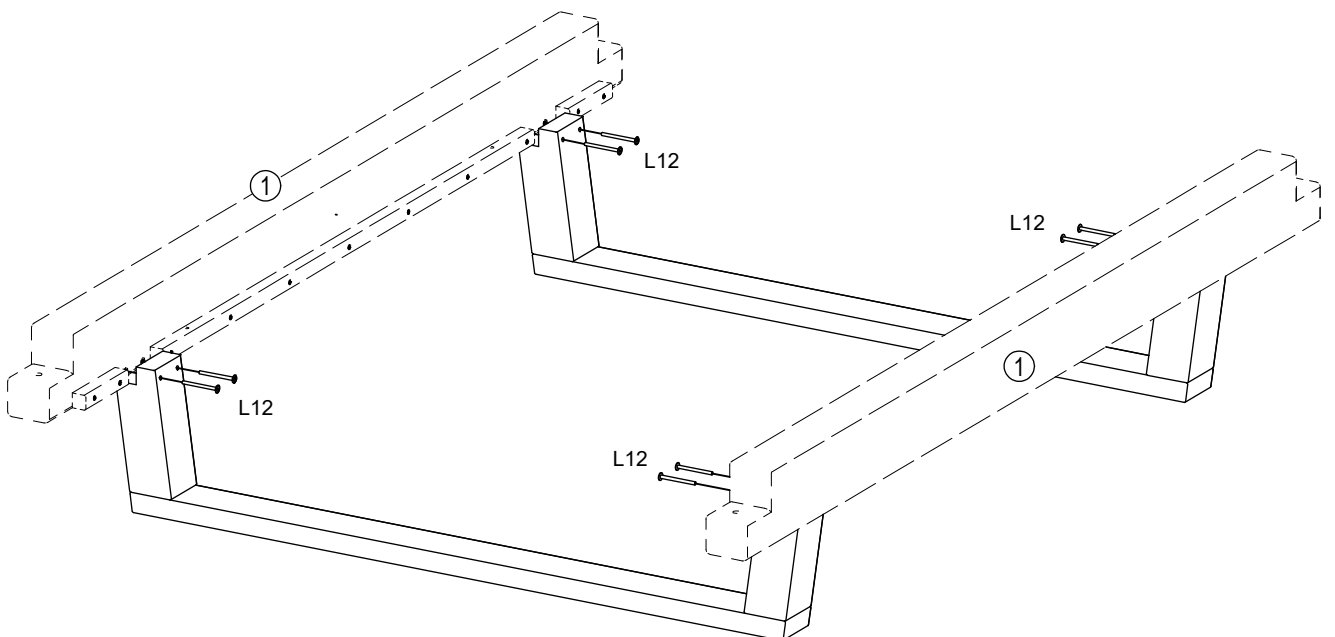
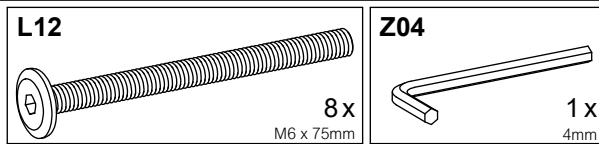
# A1

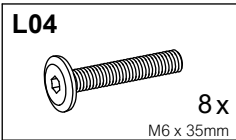


# A2

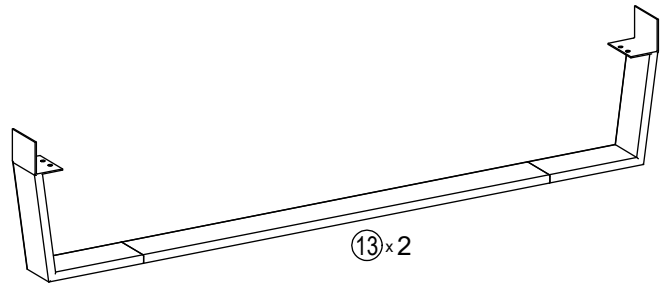
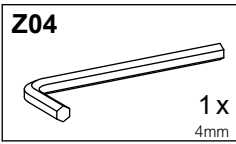


# A3

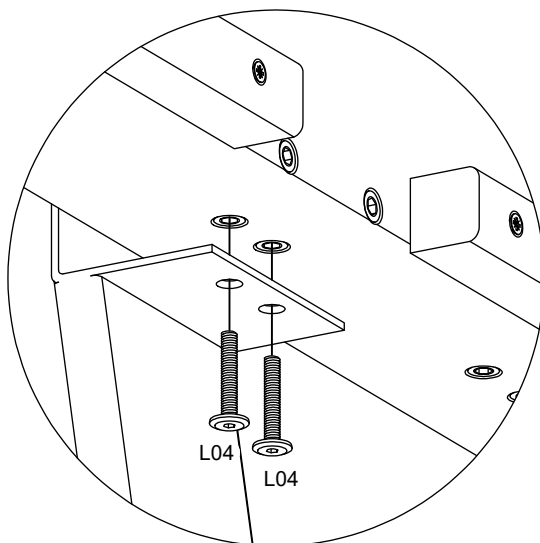
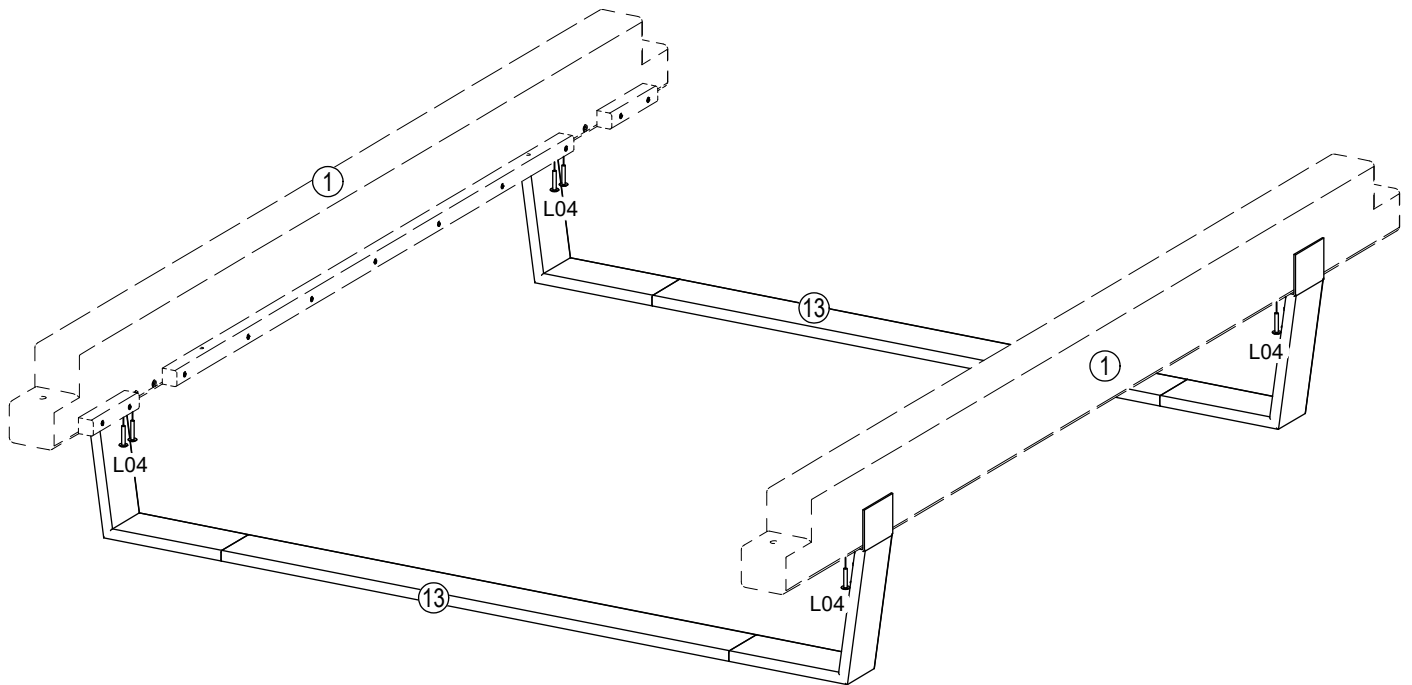
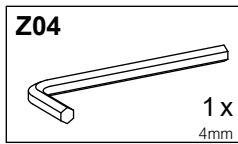
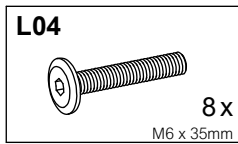


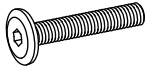



132 24 / 132 26 / 132 28 / 132 30

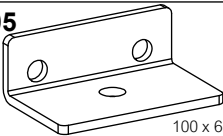



**B1**

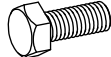



**L04**  
  
 8 x  
 M6 x 35mm

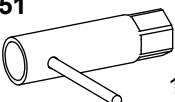
**M51**  
  
 4 x  
 M8

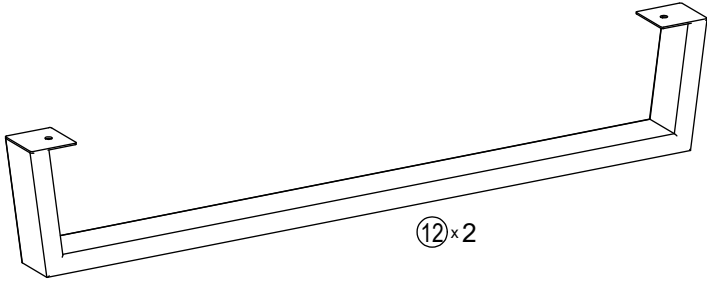
**V05**  
  
 4 x  
 100 x 62 x 36,5mm

**W54**  
  
 8 x  
 ø24/ø8,4 x 2mm


**X41**  
  
 4 x  
 M6 x 20mm

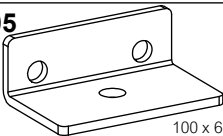
**Z04**  
  
 1 x  
 4mm


**Z51**  
  
 1 x  
 13mm

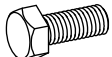


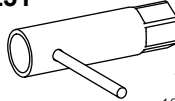
# C1

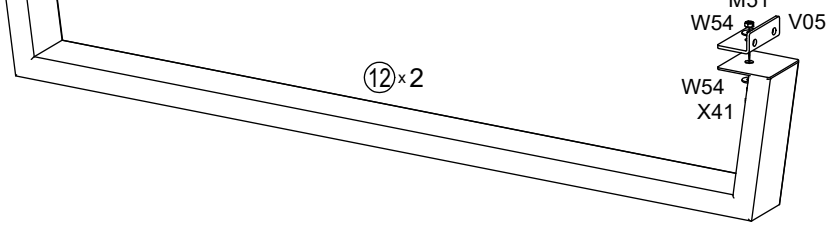
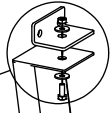
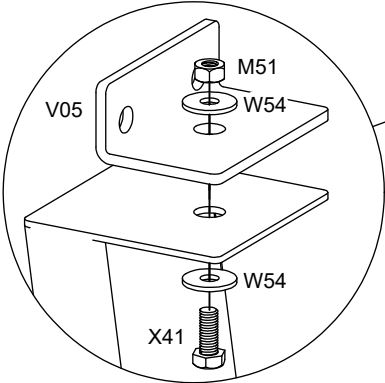
**M51**  
  
 8 x  
 M8

**V05**  
  
 4 x  
 100 x 62 x 36,5mm

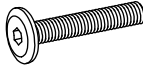
**W54**  
  
 8 x  
 ø24/ø8,4 x 2mm


**X41**  
  
 4 x  
 M6 x 20mm

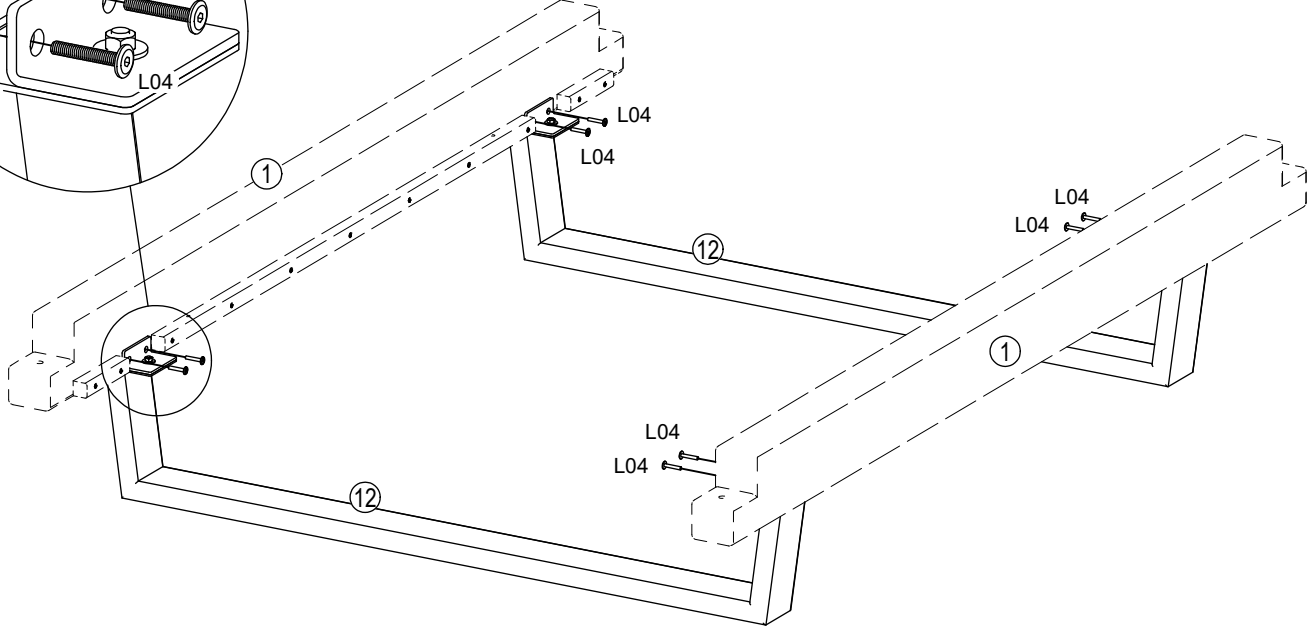
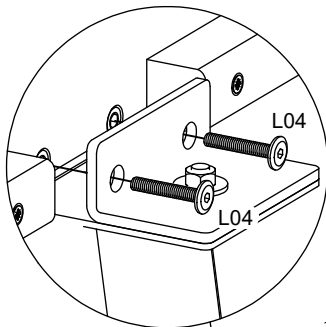
**Z51**  
  
 1 x  
 13mm

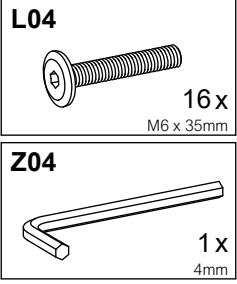


# C2

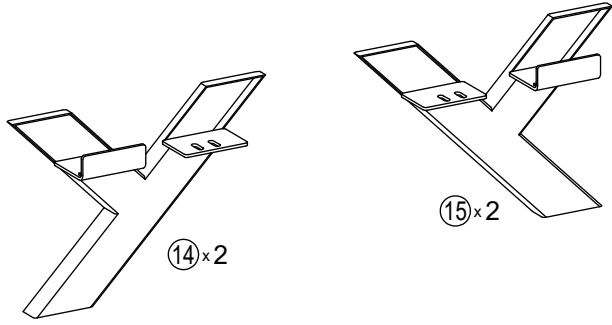
**L04**  
  
 8 x  
 M6 x 35mm

**Z04**  
  
 1 x  
 4mm

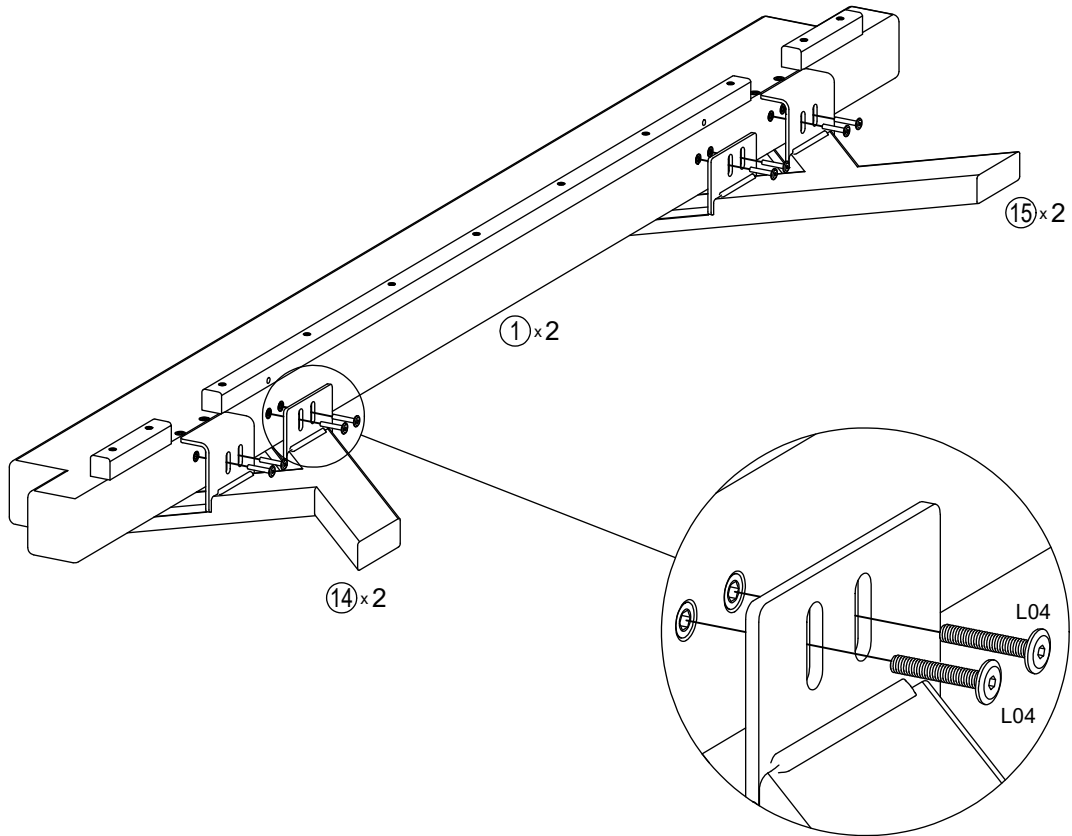
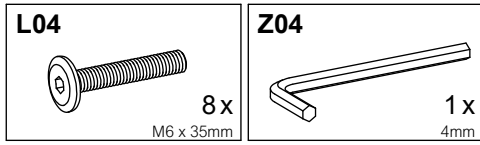




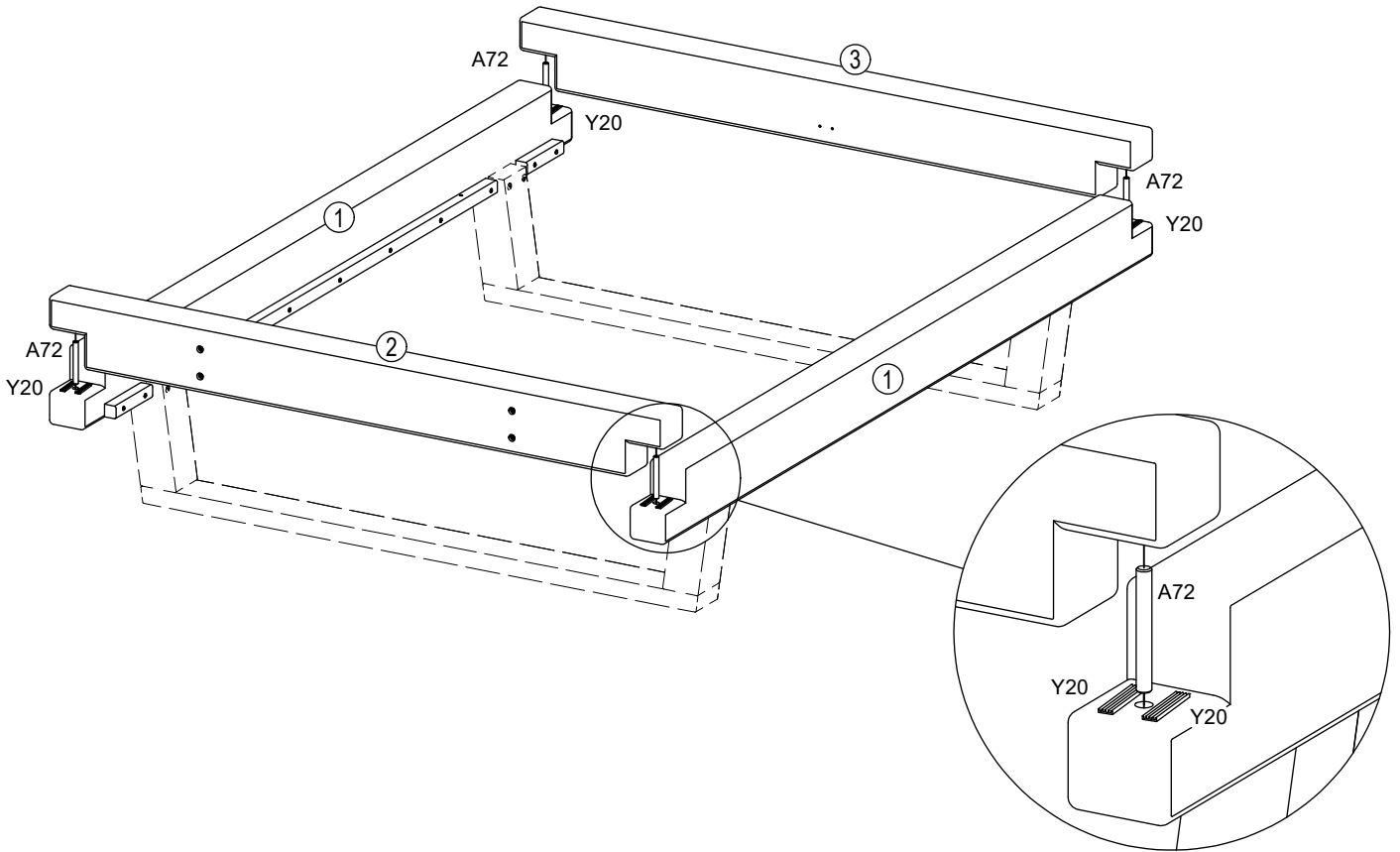
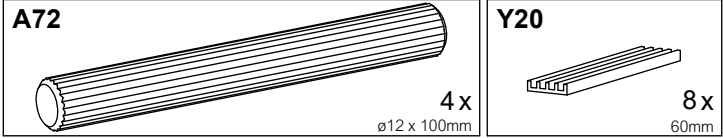
132 00



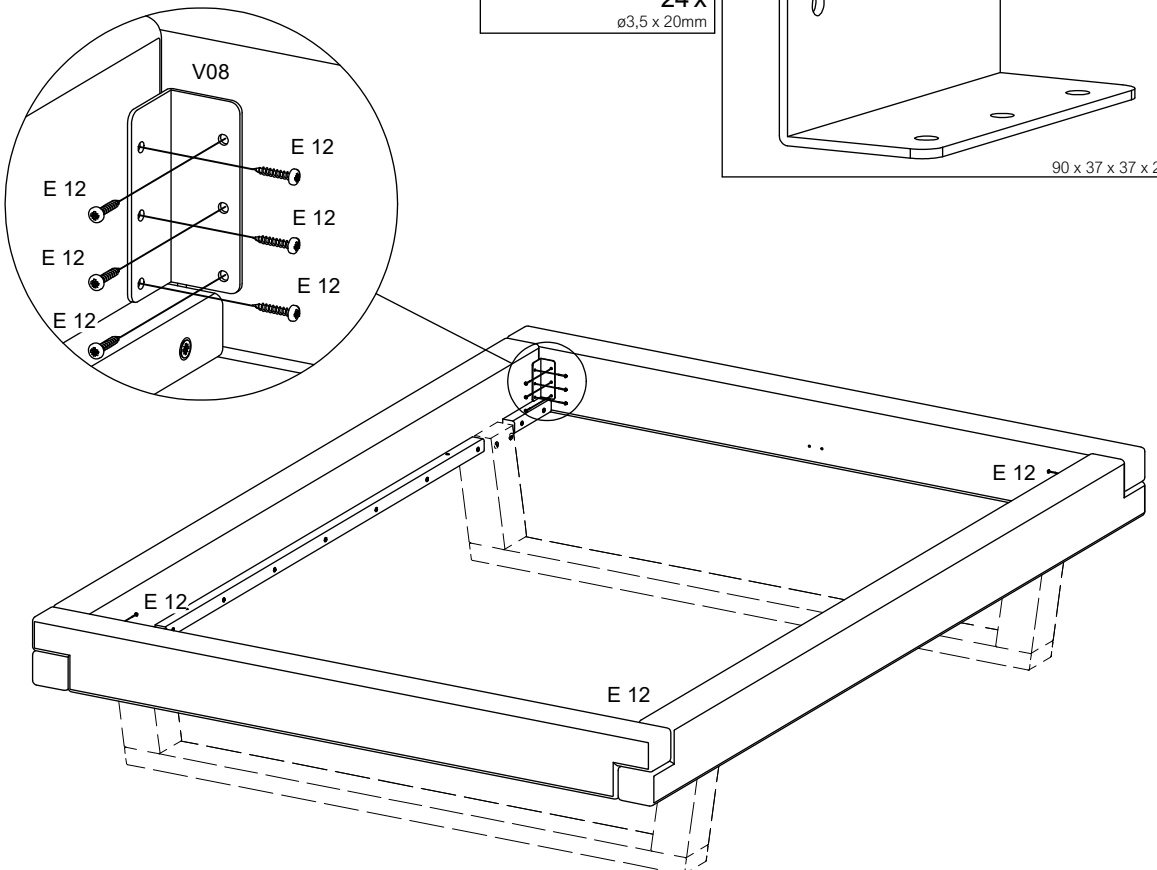
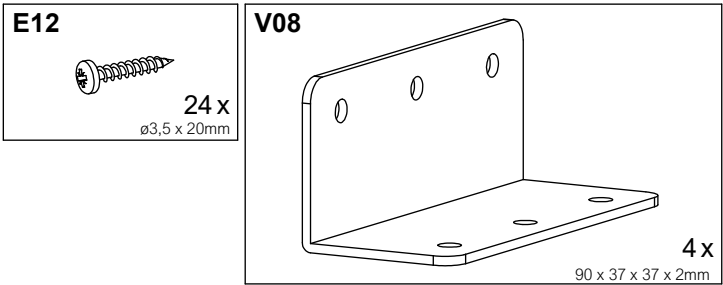
**D1**




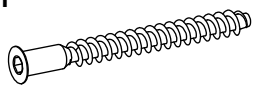
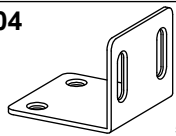

# 1

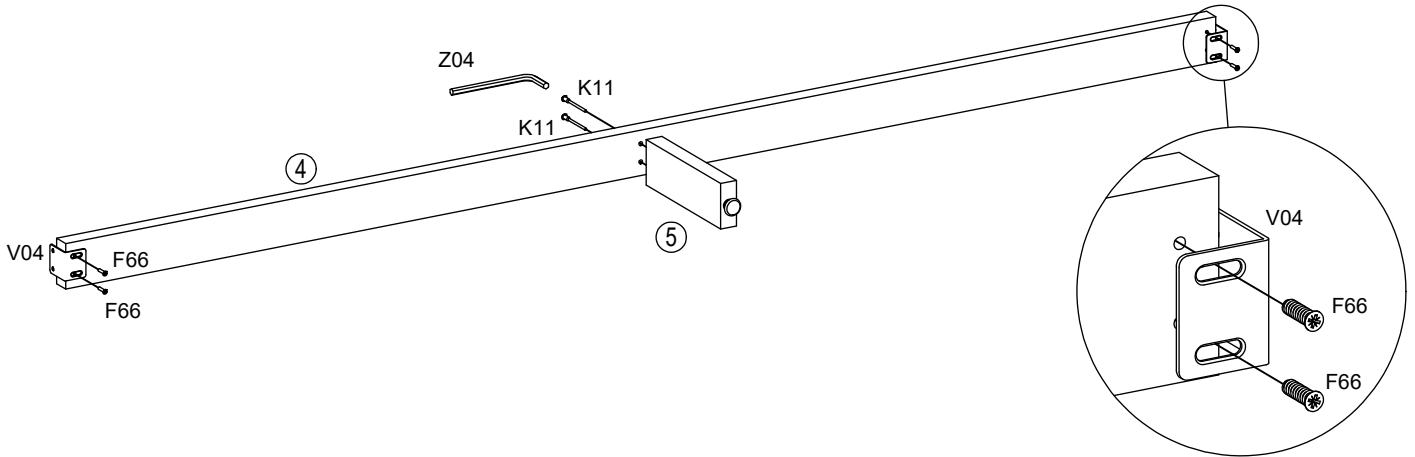


# 2






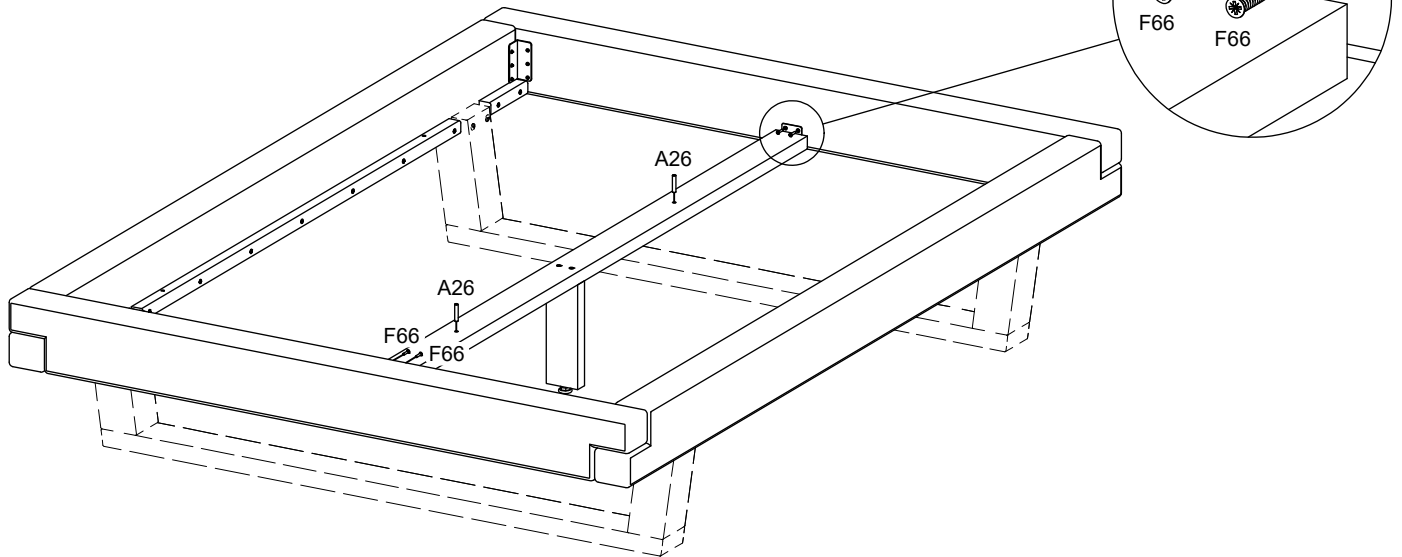
# 3

<b>F66</b>  4 x ø6,2 x 20mm	<b>K11</b>  2 x ø7 x 70mm	<b>V04</b>  2 x 50 x 50 x 40 x 2mm	<b>Z04</b>  1 x 4mm
---	---	--	---

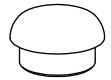


# 4

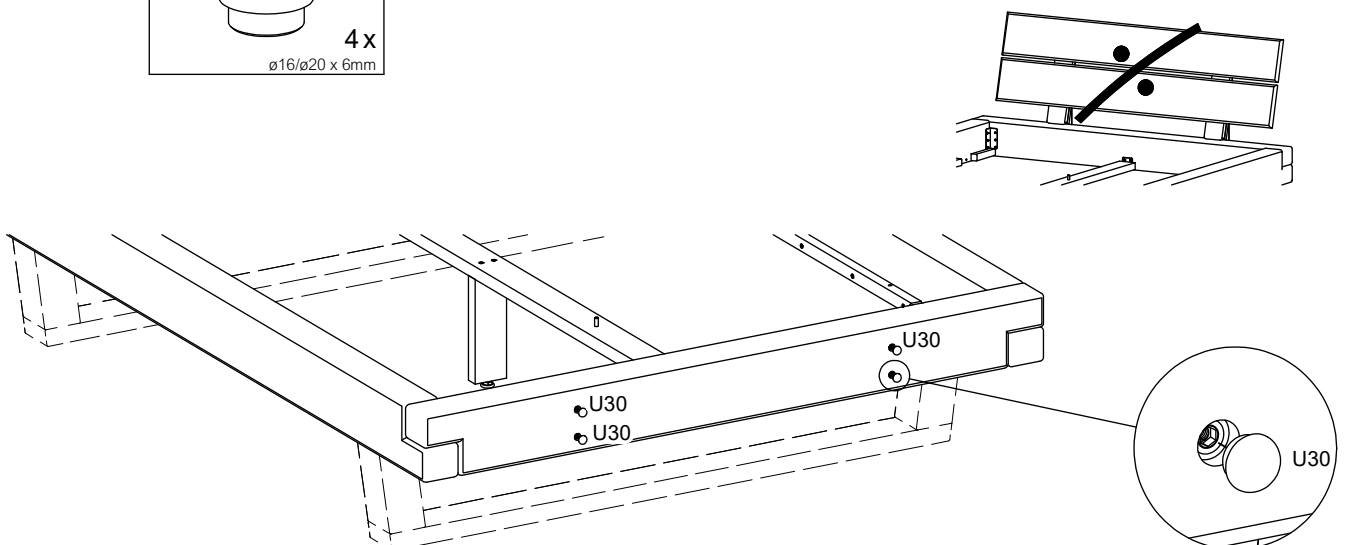
<b>A26</b>  2 x ø8 x 40mm	<b>F66</b>  4 x ø6,2 x 20mm	<b>Z04</b>  1 x 4mm
---	---	--



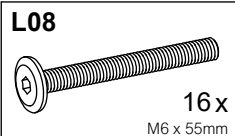
# 5

<b>U30</b>  4 x ø16/ø20 x 6mm
---

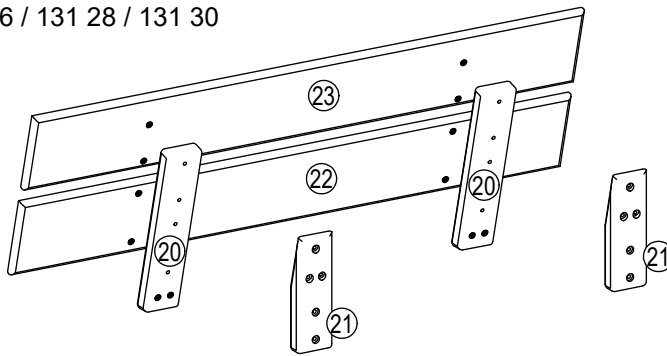
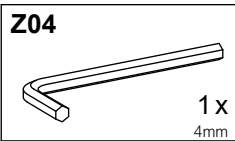
U30 only included / needed if NO headboard is included



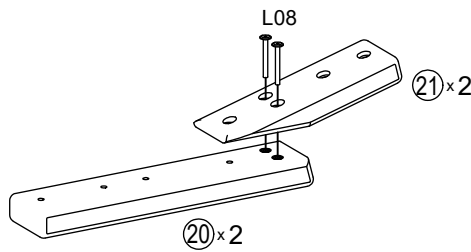
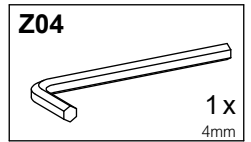
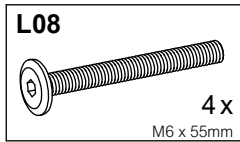




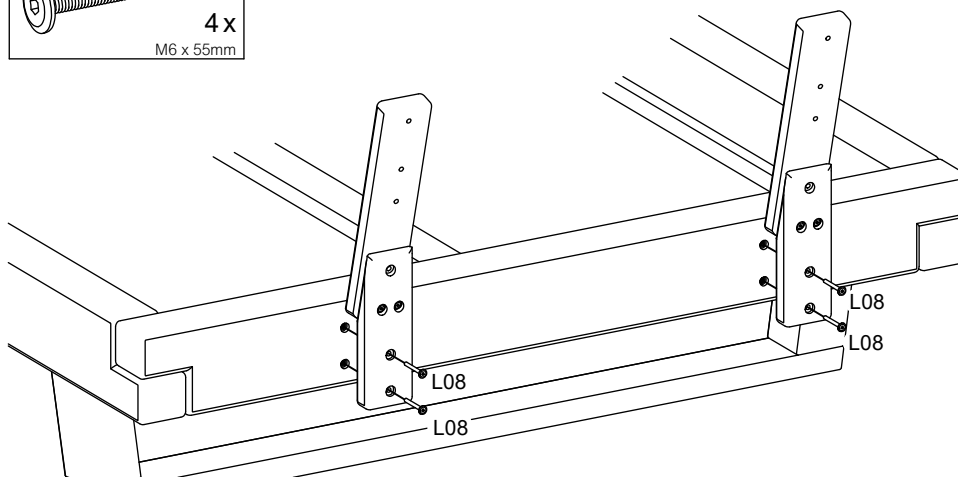
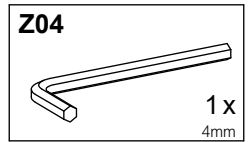
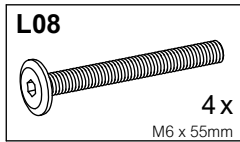
131 24 / 131 26 / 131 28 / 131 30



6



7



8

