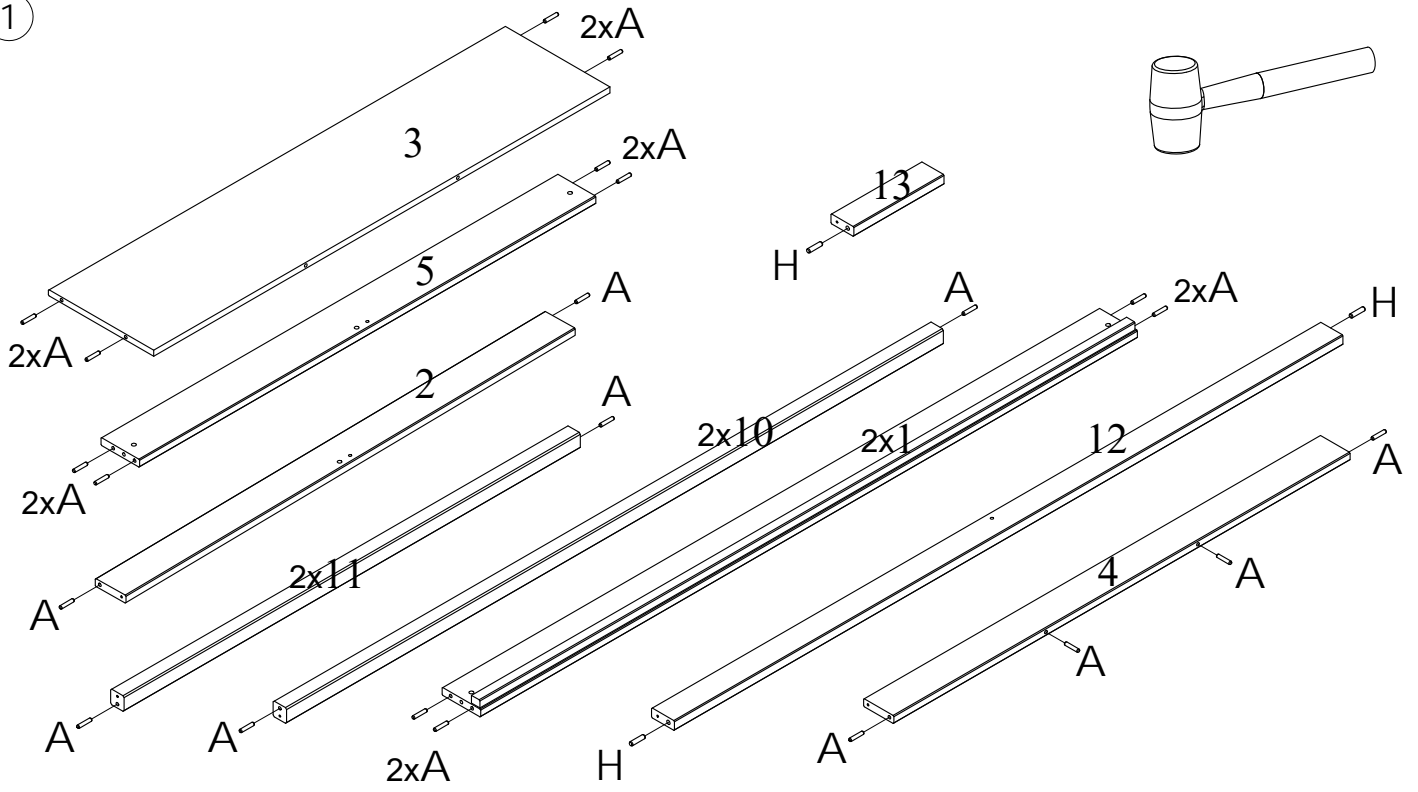




A		8x40	x30
B		6x90	x6
C		M6x10x13	x6
D		6,3x90	x12

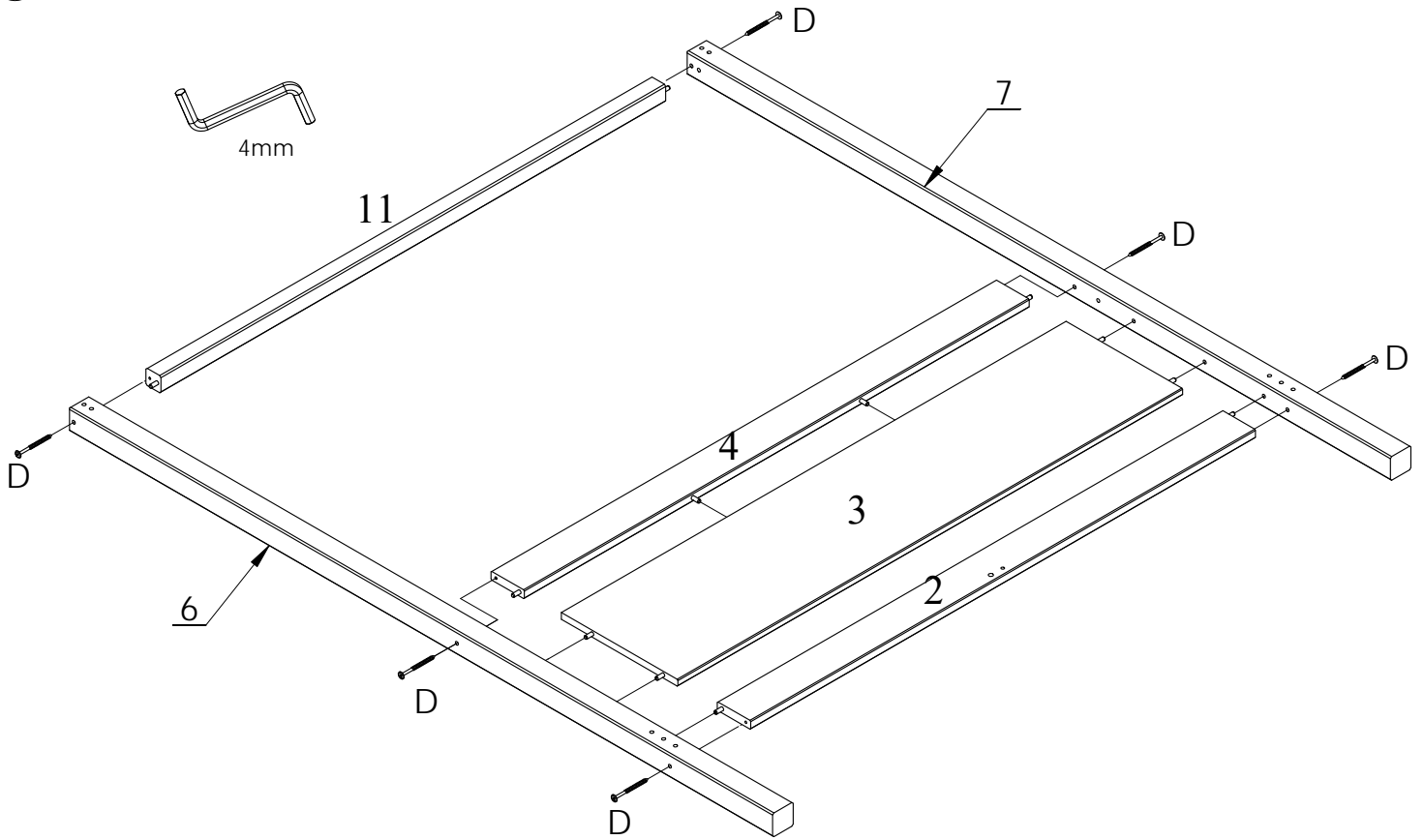
F		3,5x40	x6
G		7x60	x3
H		10x40	x3
K		4mm	x1

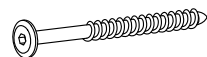
①



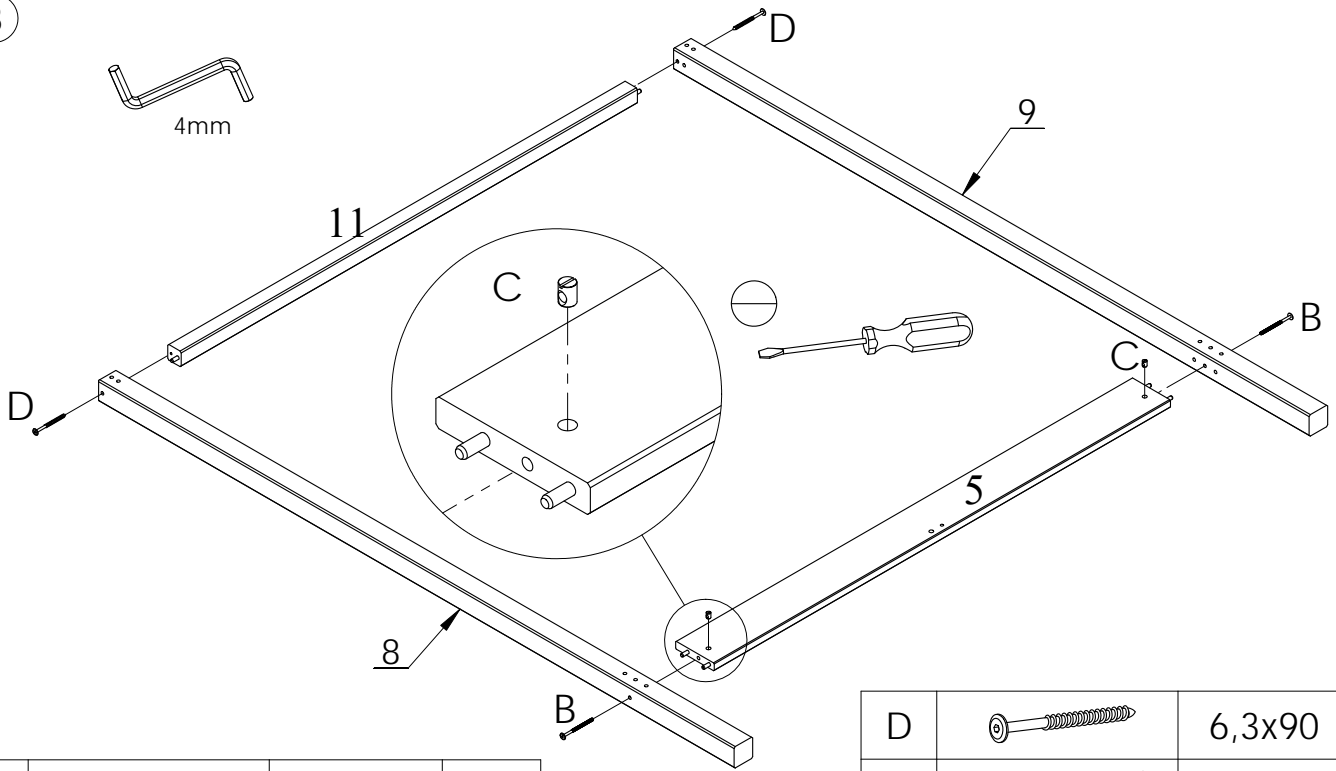
A		8x40	x30
H		10x40	x3

②





D		6,3x90	x6
---	---	--------	----

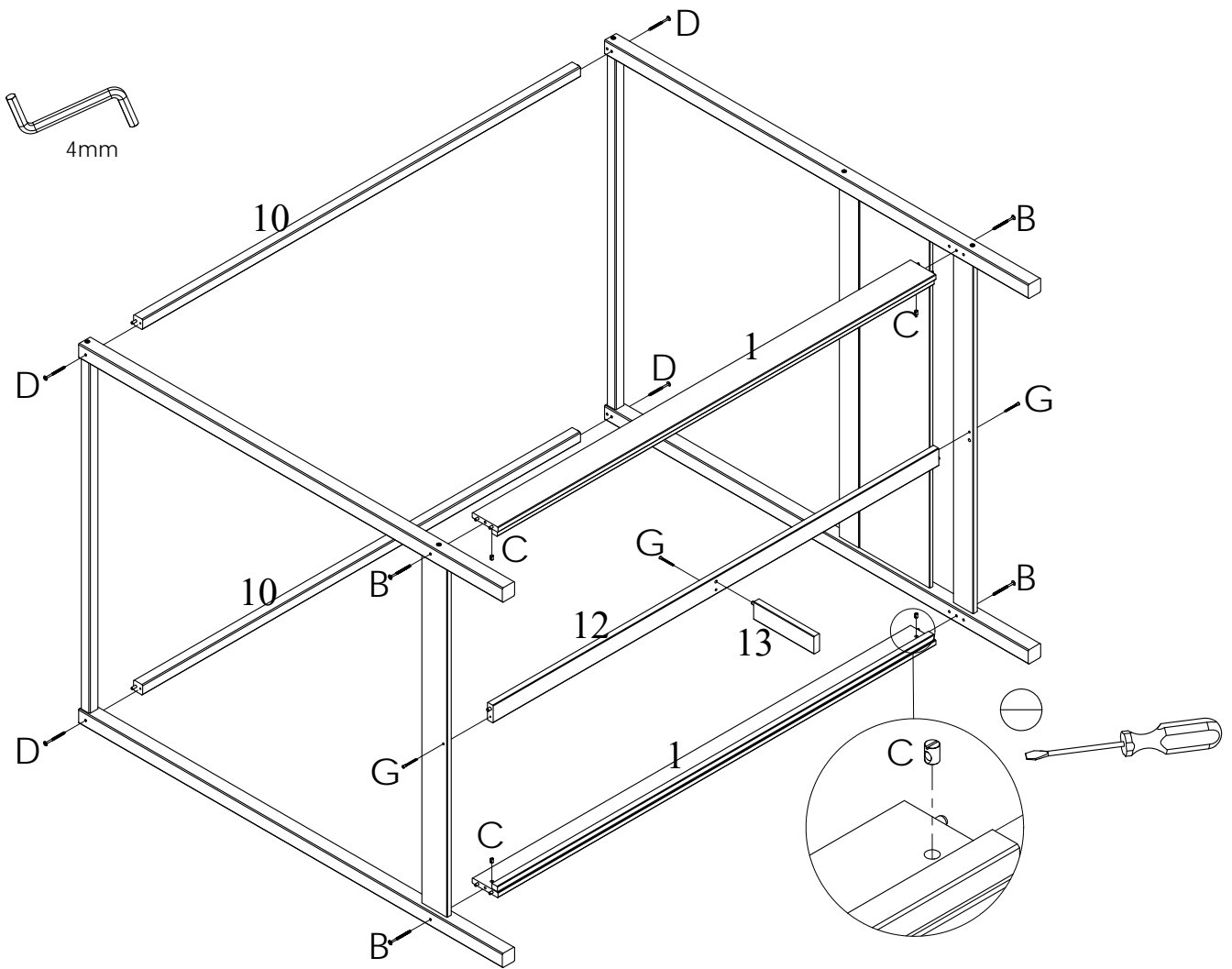
3







C		M6x10x13	x2
---	---	----------	----

D		6,3x90	x2
B		6x90	x2

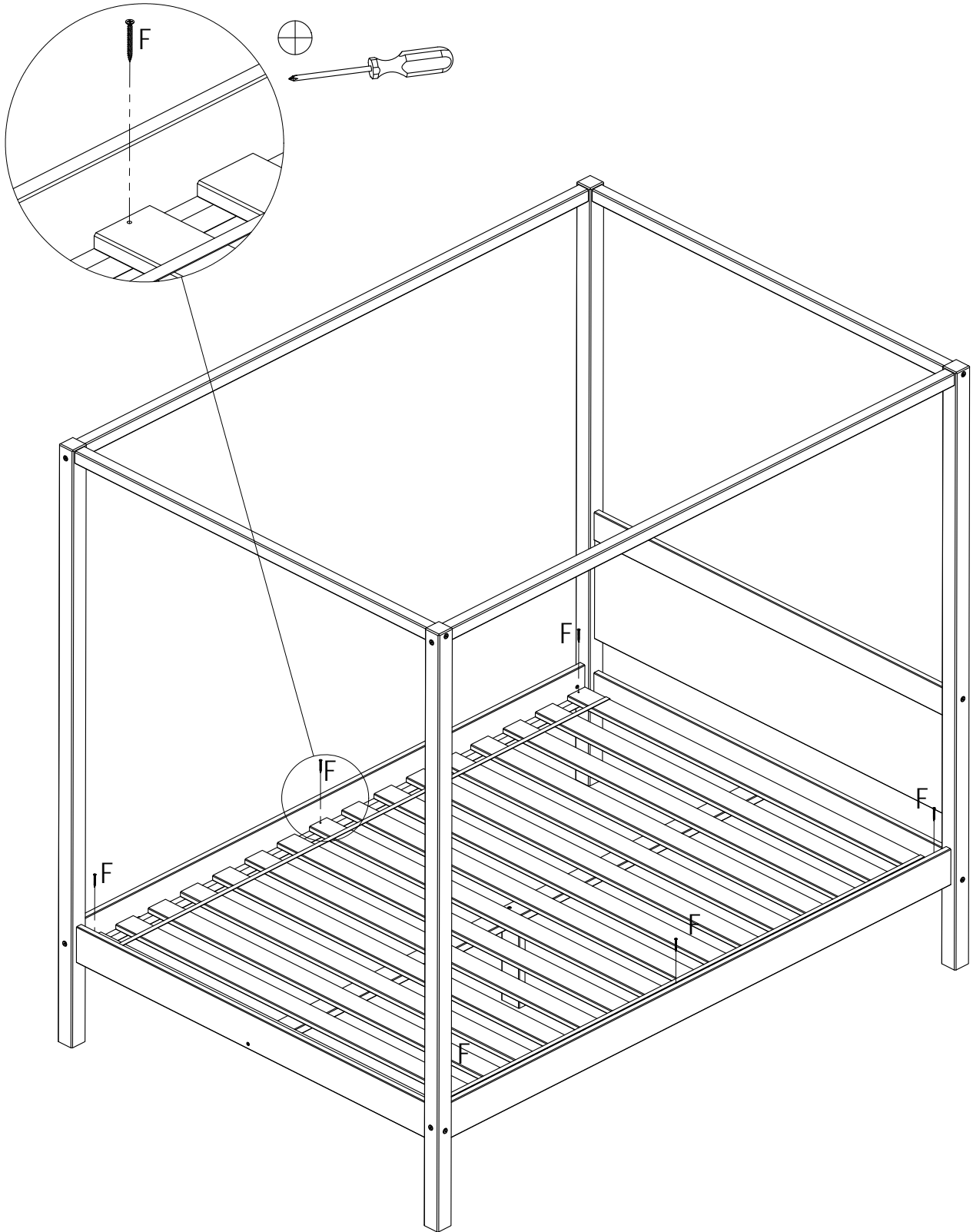
4



D		6,3x90	x4
B		6x90	x4

C		M6x10x13	x4
G		7x60	x3

5



F



3,5x40

x6