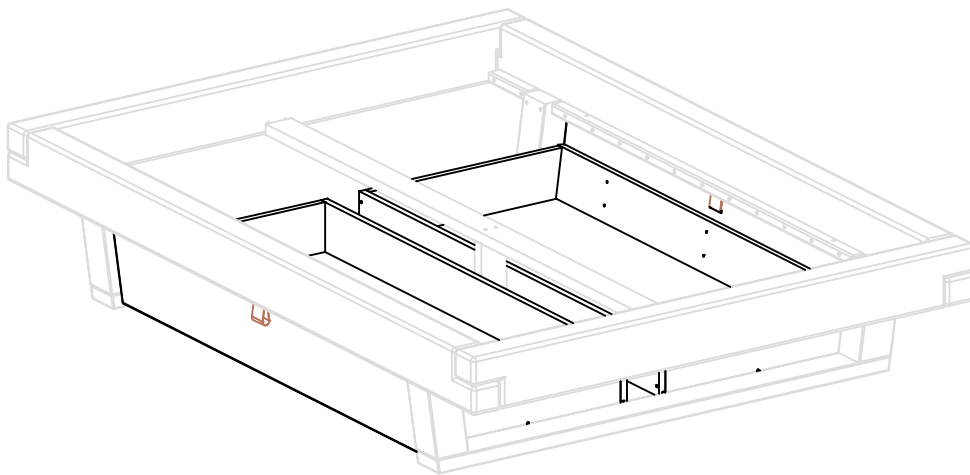
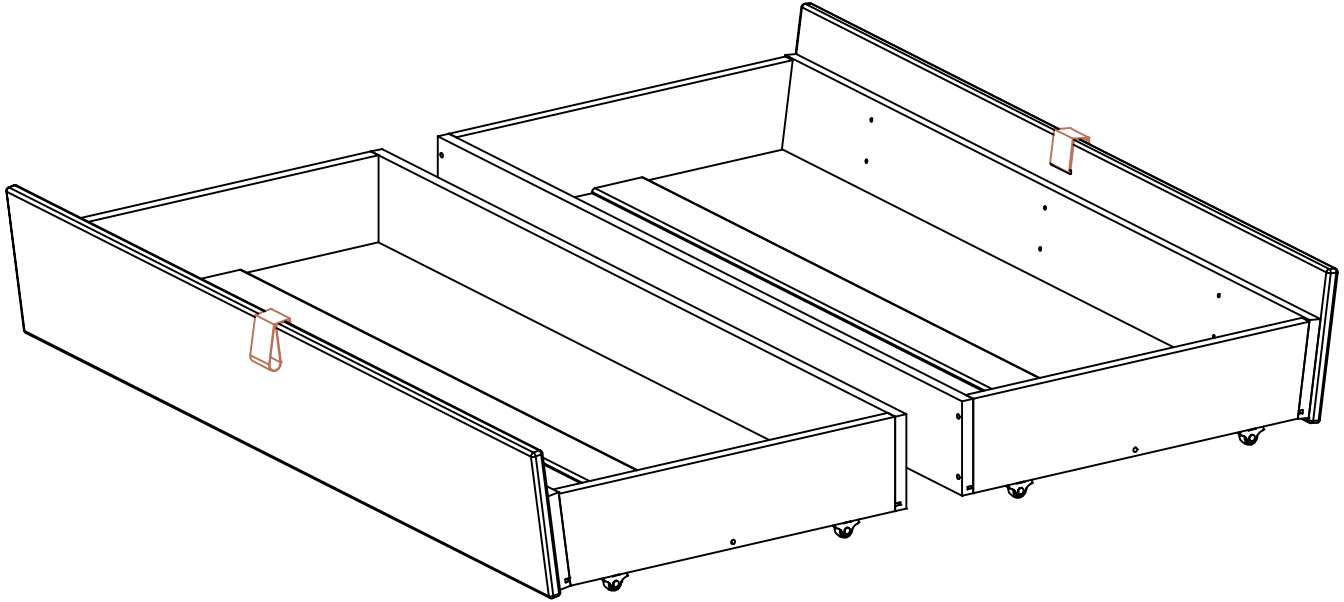
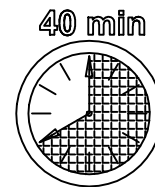
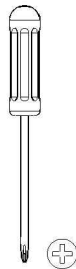
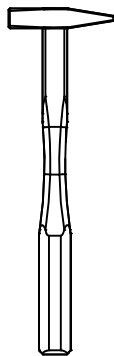
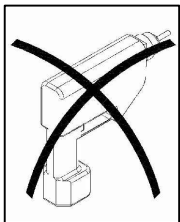
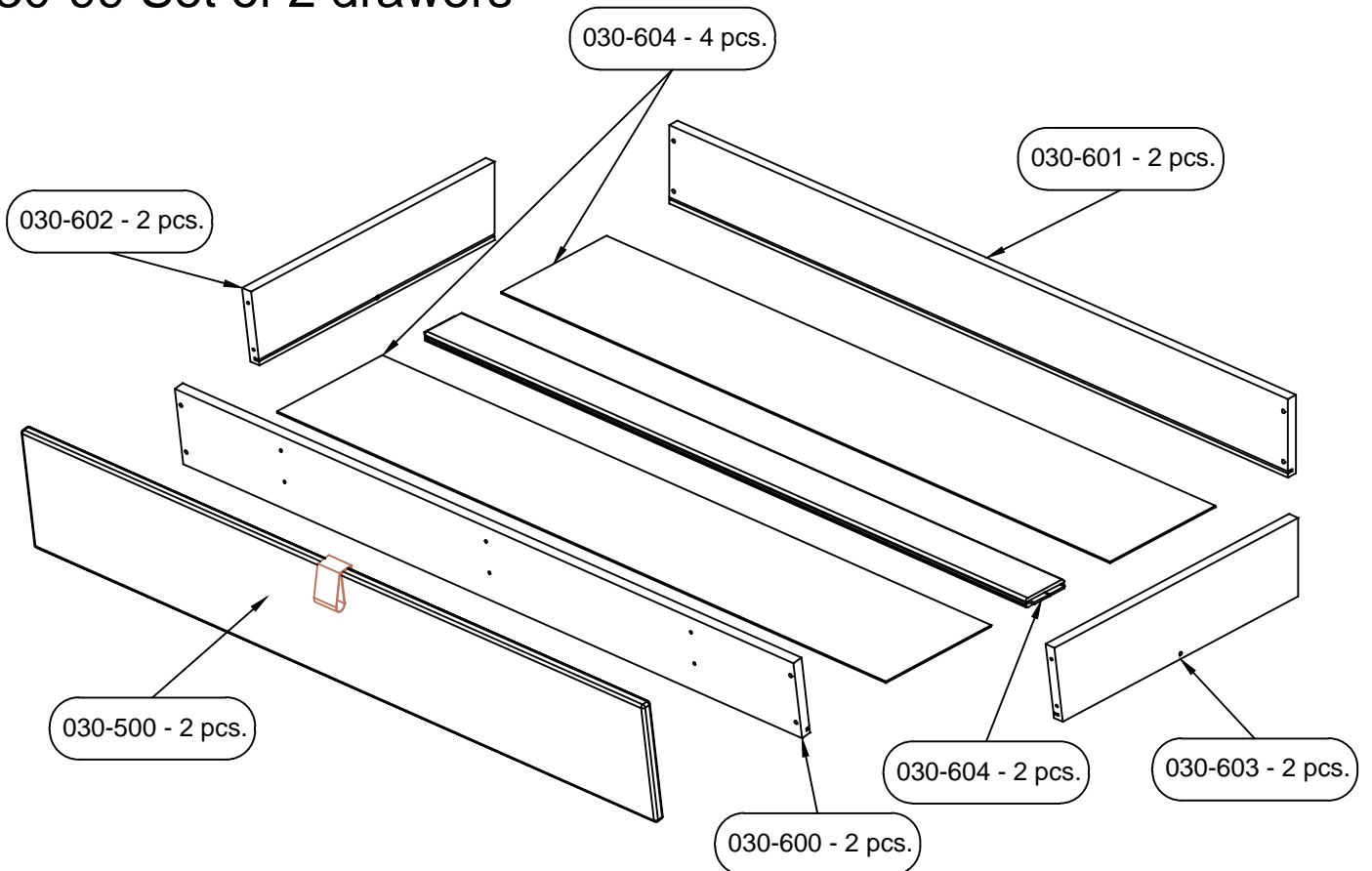





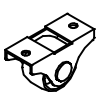


Unika Drawer

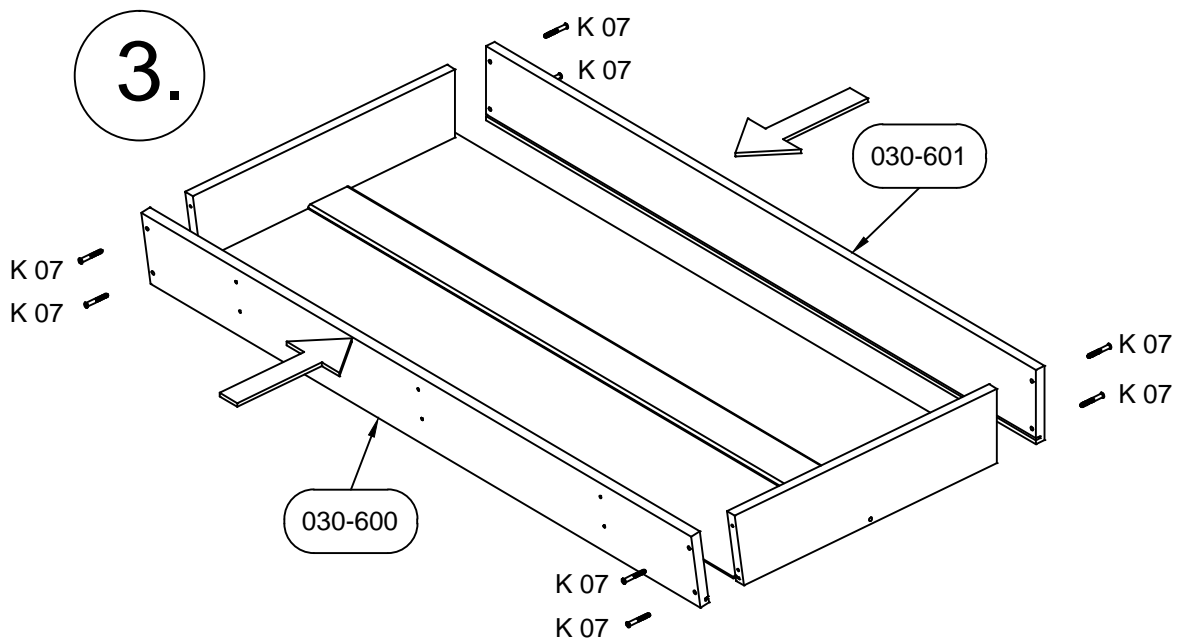
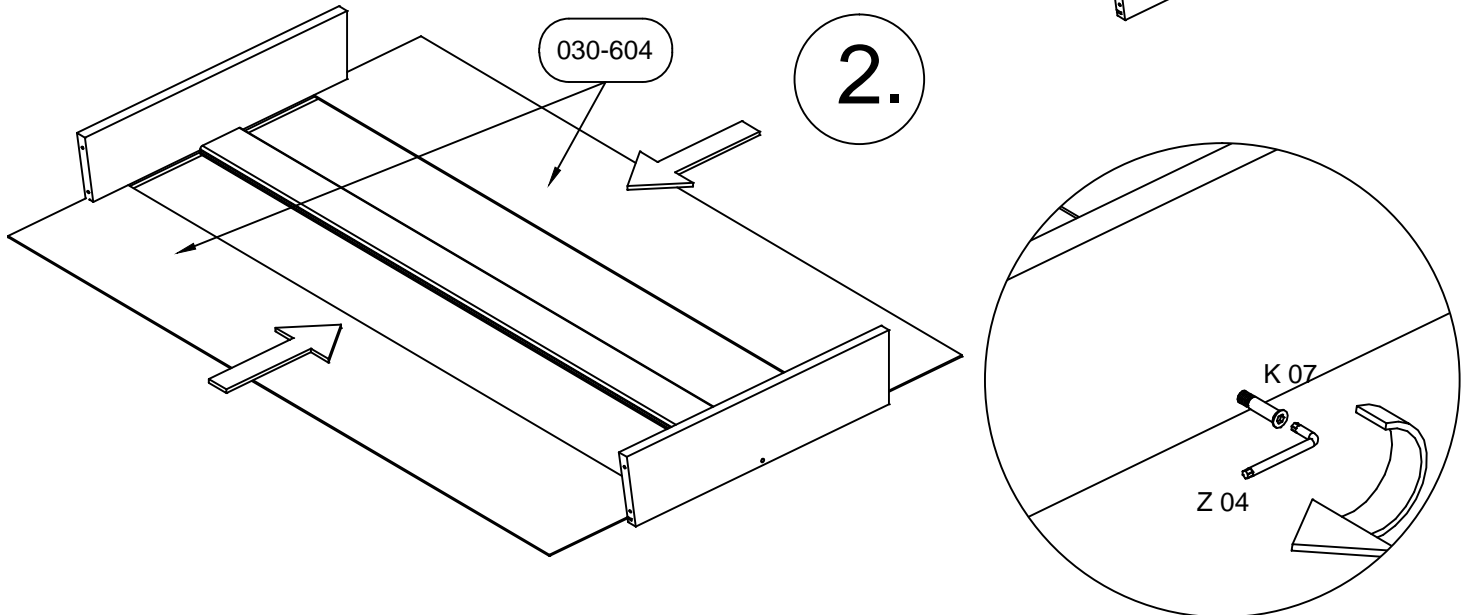
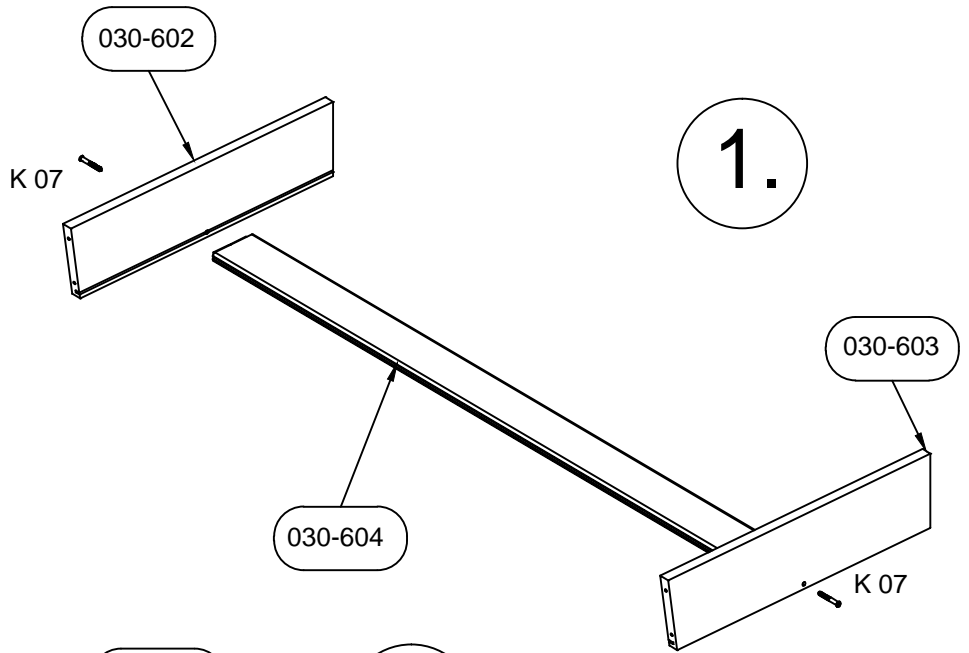
030-99



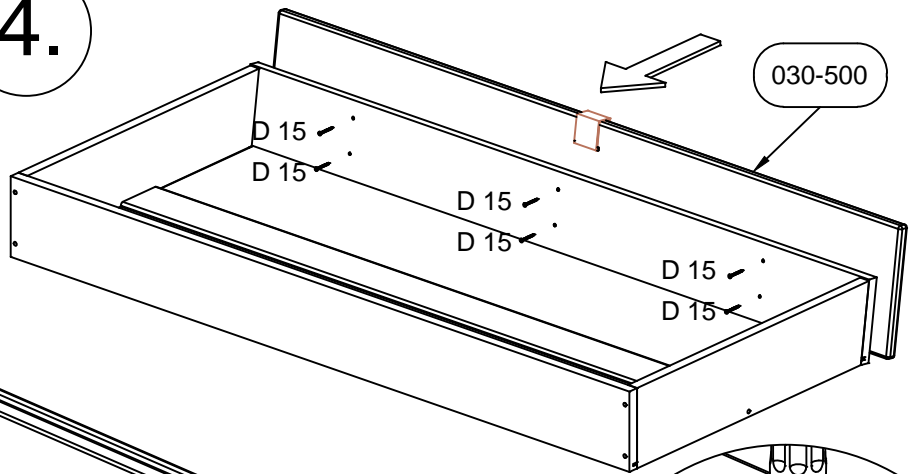
030-99 Set of 2 drawers



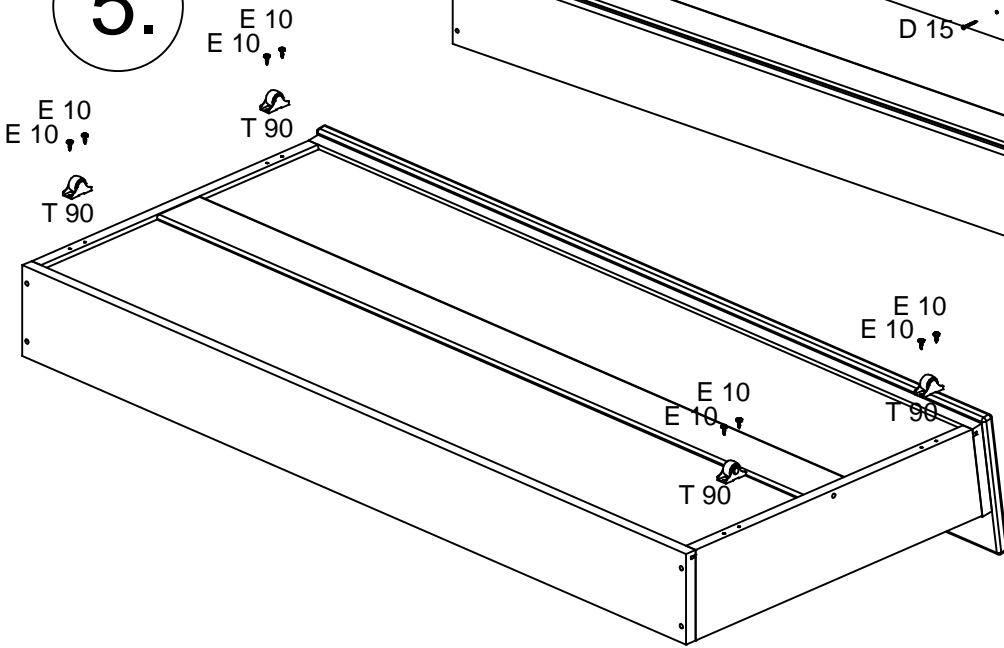
<p>Z 04</p>  <p>Allen key SW 4mm</p>	<p>K 07</p>  <p>Ø6,3x50 - 20 pcs</p>	<p>D 15</p>  <p>Ø4,5x30 - 12 pcs</p>
<p>T 90</p>  <p>Castor Ø26 H29 - 8 pcs</p>	<p>E 10</p>  <p>Ø3,5x12 ph plz - 16 pcs</p>	<p>A 30</p>  <p>Ø8x60 - 4 pcs</p>



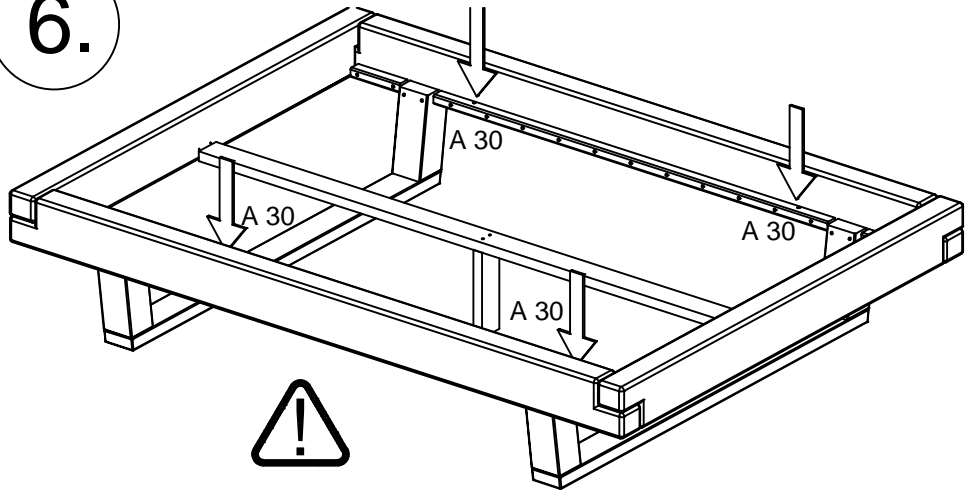
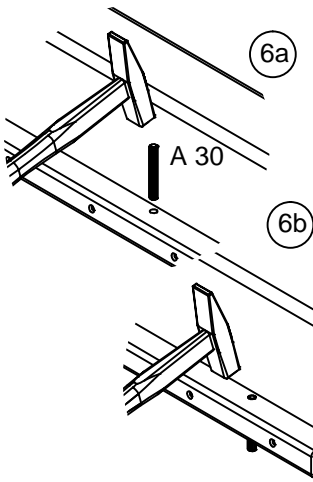
4.



5.



6.



7.

