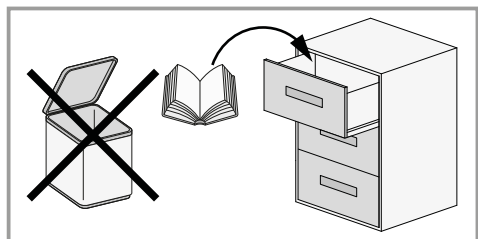
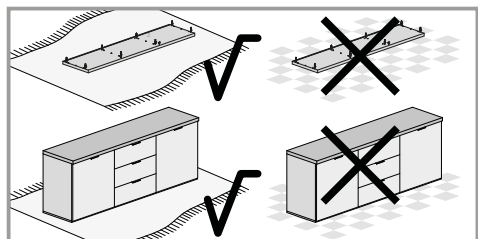
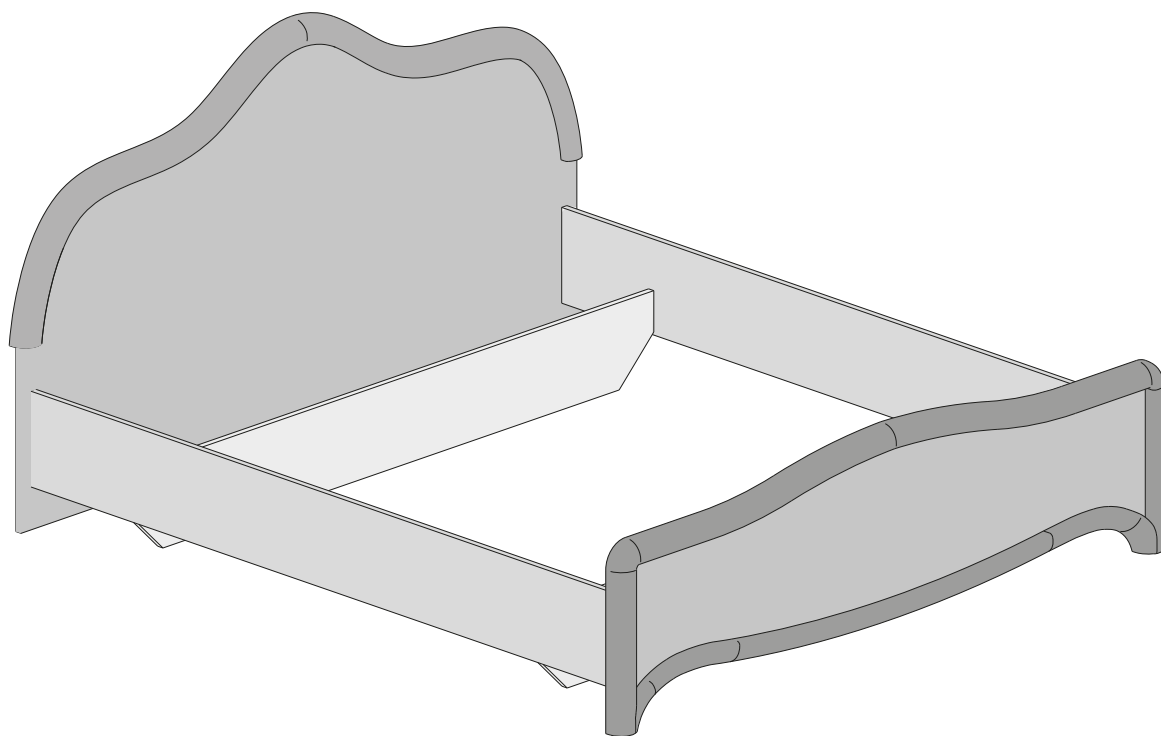


# Bett 180



Alice  
Elena  
Greta



## **ALICE SCHWARZ**

Nr. 1x1 (XP\_CFDGAPT2-NGL) 1925x1215x60  
Nr. 2ax1 (XP\_CTDGXFL1-308) 2020x250x18  
Nr. 2bx1 (XP\_CTDGXFL1-308) 2020x250x18  
Nr. 3x2 (XP\_CTDGXSR1-OFK) 1820x228x18  
Nr. 4x1 (XP\_CFDGAPP2-NGL) 1940x535x60

## **ELENA BEIGE**

Nr. 1x1 (XP\_CODGAPT2-XP7) 2000x1340x80  
Nr. 2ax1 (XP\_CTDGXFL1-XP7) 2020x250x18  
Nr. 2bx1 (XP\_CTDGXFL1-XP7) 2020x250x18  
Nr. 3x2 (XP\_CTDGXSR1-OFK) 1820x228x18  
Nr. 4x1 (XP\_CODGAPP2-XP7) 1955x575x80

## **ELENA NUSSBAUM**





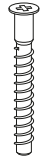




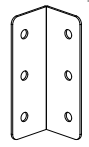

Nr. 1x1 (XP\_CODGAPT2-XF7) 2000x1340x80  
Nr. 2ax1 (XP\_CTDGXFL1-XF7) 2020x250x18  
Nr. 2bx1 (XP\_CTDGXFL1-XF7) 2020x250x18  
Nr. 3x2 (XP\_CTDGXSR1-OFK) 1820x228x18  
Nr. 4x1 (XP\_CODGAPP2-XF7) 1955x575x80

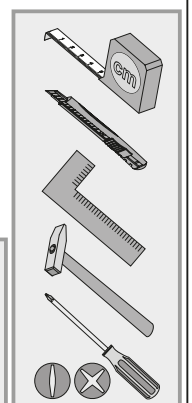
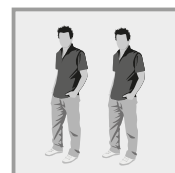
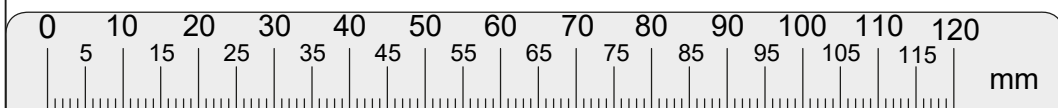
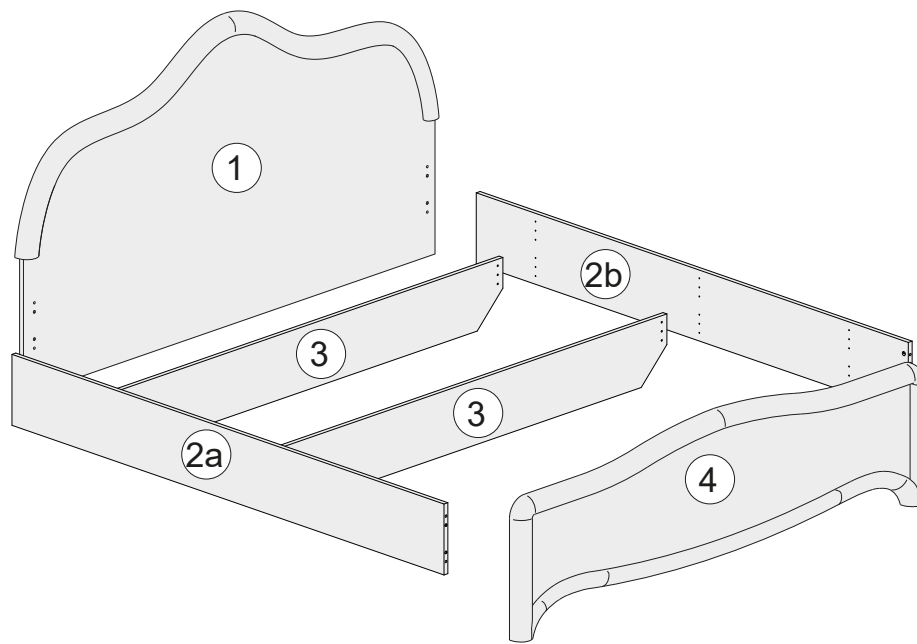
## **GRETA WEISS**

Nr. 1x1 (XP\_CFDGRPT2-BIA) 2035x1315x115  
Nr. 2ax1 (XP\_CTDGXFL1-235) 2020x250x18  
Nr. 2bx1 (XP\_CTDGXFL1235) 2020x250x18  
Nr. 3x2 (XP\_CTDGXSR1-OFK) 1820x228x18  
Nr. 4x1 (XP\_CFDGAPP2-BIA) 2030x585x70

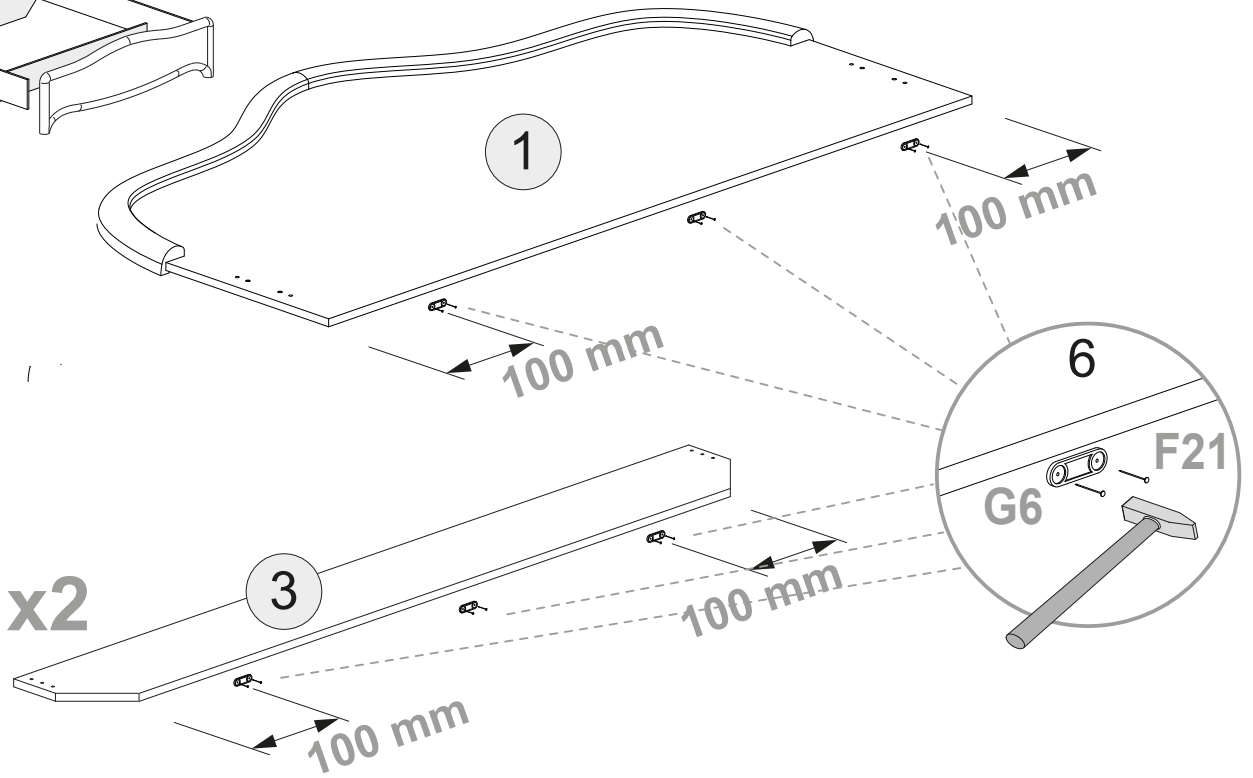
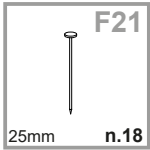
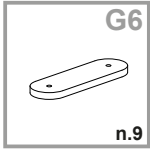
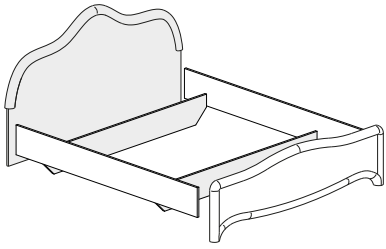
## **ALICE CAPITONNE' SCHWARZ**

Nr. 1x1 (XP\_CODGAPT4-308) 1925x1215x80  
Nr. 2ax1 (XP\_CTDGXFL1-308) 2020x250x18  
Nr. 2bx1 (XP\_CTDGXFL1-308) 2020x250x18  
Nr. 3x2 (XP\_CTDGXSR1-OFK) 1820x228x18  
Nr. 4x1 (XP\_CFDGAPP2-NGL) 1940x535x60

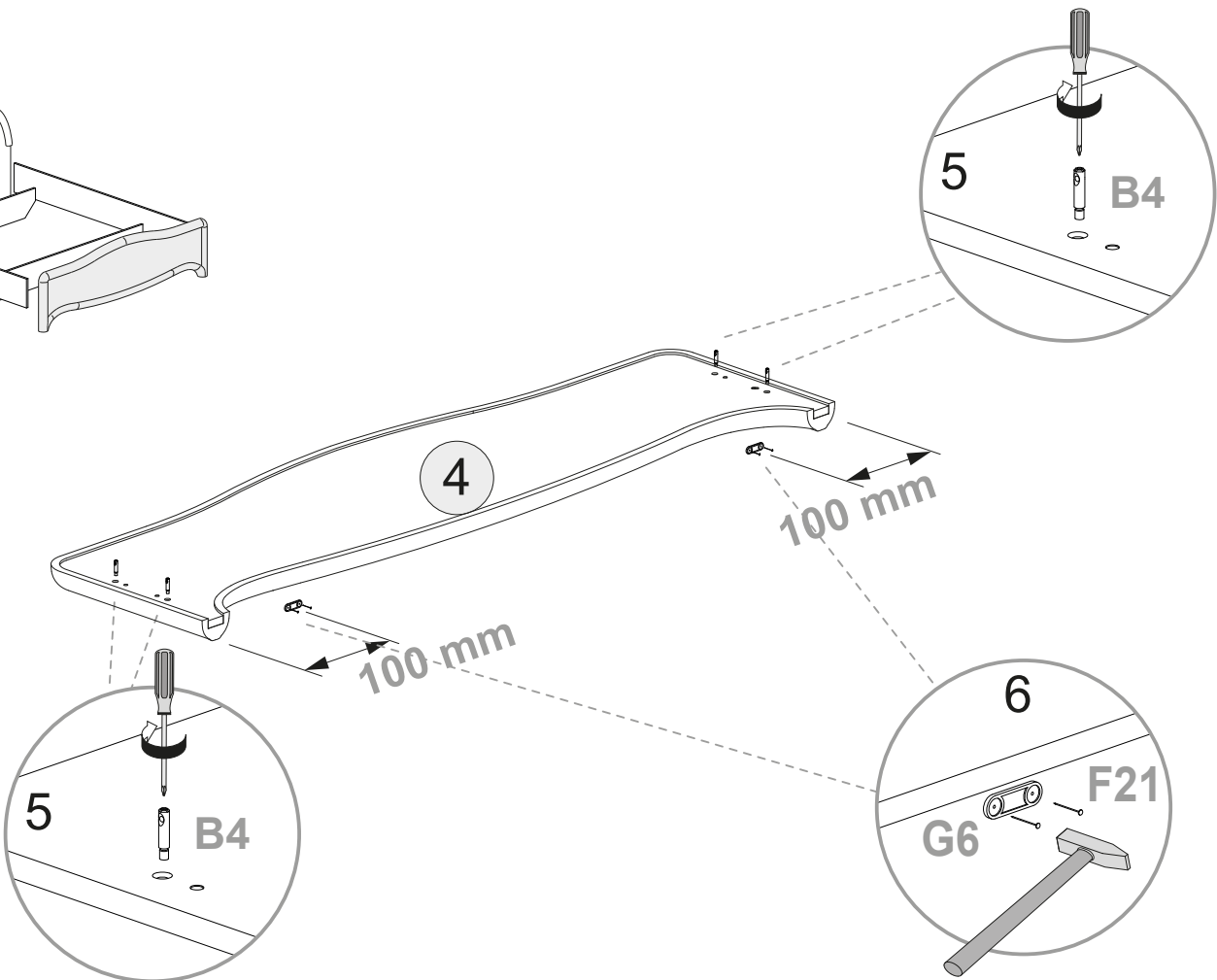
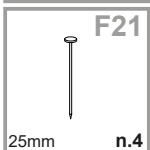
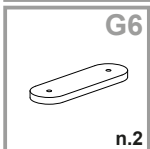
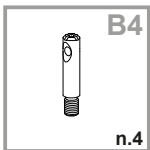
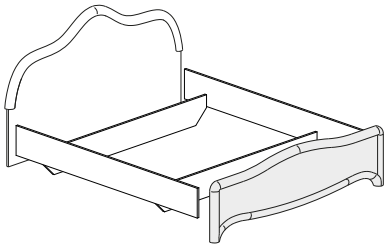
<p><b>A3</b></p>  <p><b>n.4</b></p>	<p><b>B4</b></p>  <p><b>n.4</b></p>	<p><b>C</b></p>  <p><math>\varnothing 8 \times 30 \text{mm}</math> <b>n.8</b></p>	<p><b>D5</b></p>  <p><b>n.4</b></p>	<p><b>F8</b></p>  <p><math>\varnothing 7 \times 50 \text{mm}</math> <b>n.4</b></p>	<p><b>F5</b></p>  <p><math>\varnothing 3,5 \times 16 \text{mm}</math> <b>n.12</b></p>
<p><b>F21</b></p>  <p>25mm <b>n.22</b></p>	<p><b>F22</b></p>  <p>25mm <b>n.12</b></p>	<p><b>F23</b></p>  <p>M4x10mm <b>n.12</b></p>	<p><b>M8</b></p>  <p><b>n.4</b></p>	<p><b>G6</b></p>  <p><b>n.11</b></p>	



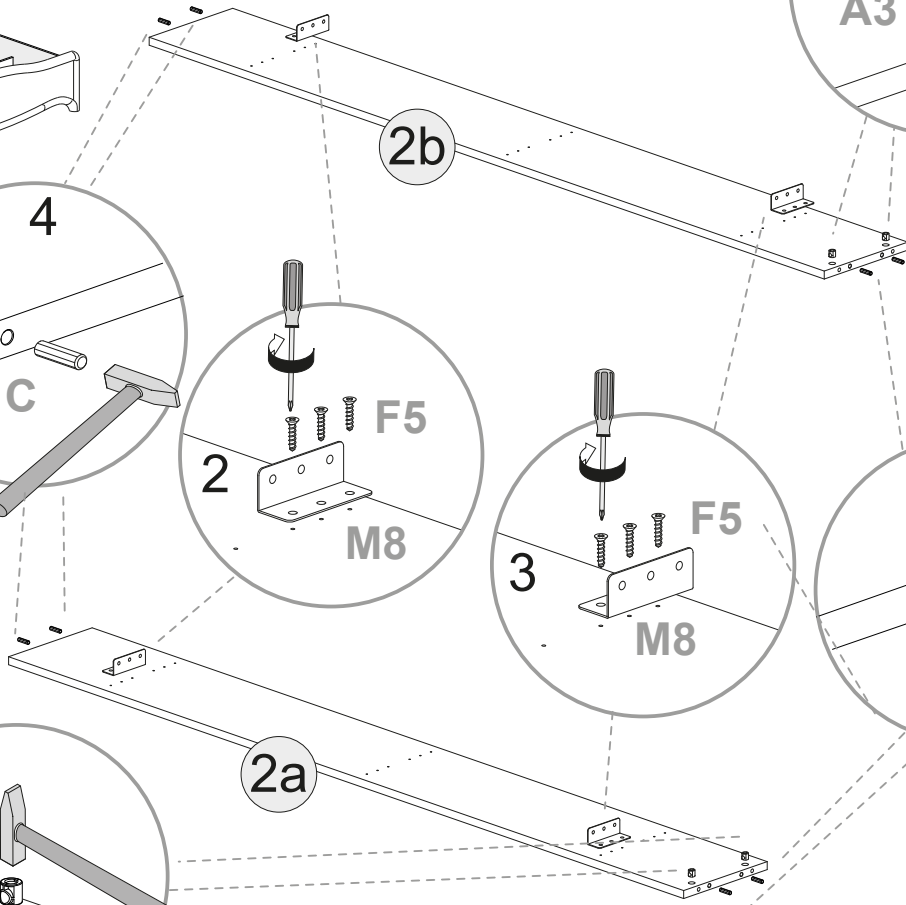
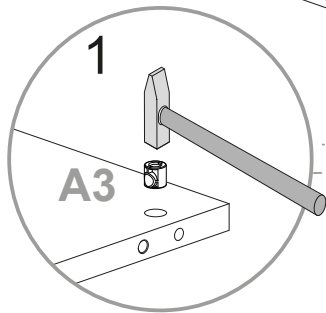
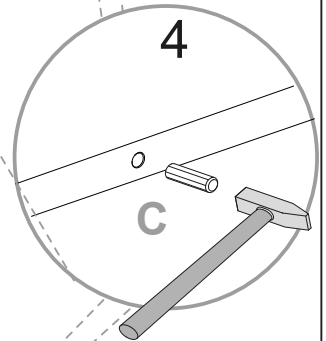
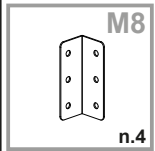
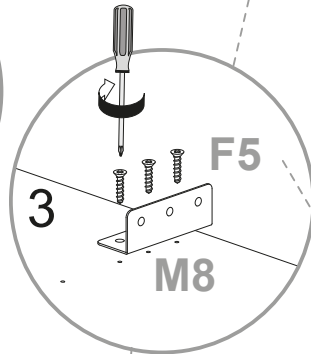
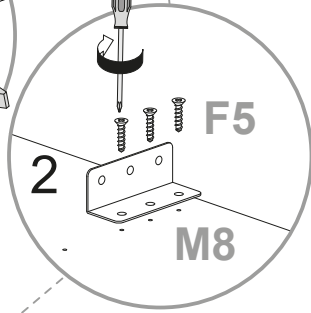
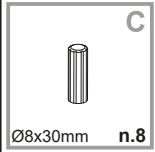
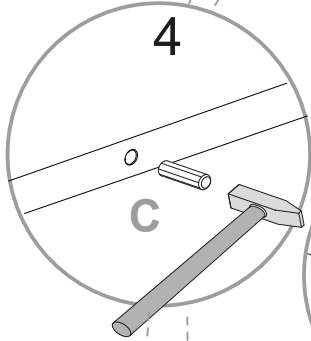
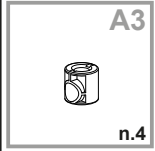
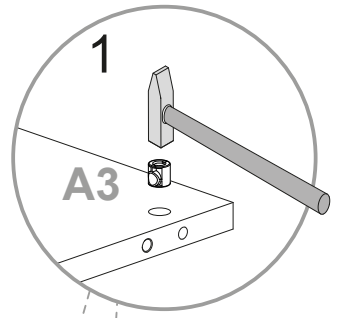
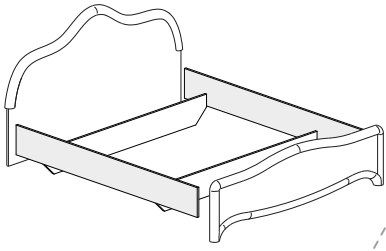
1



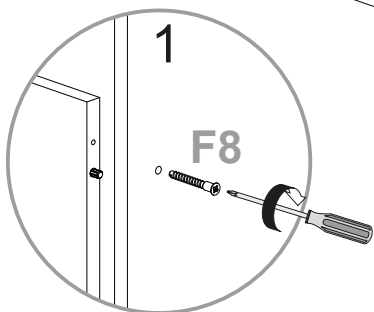
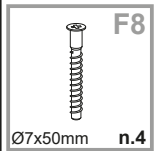
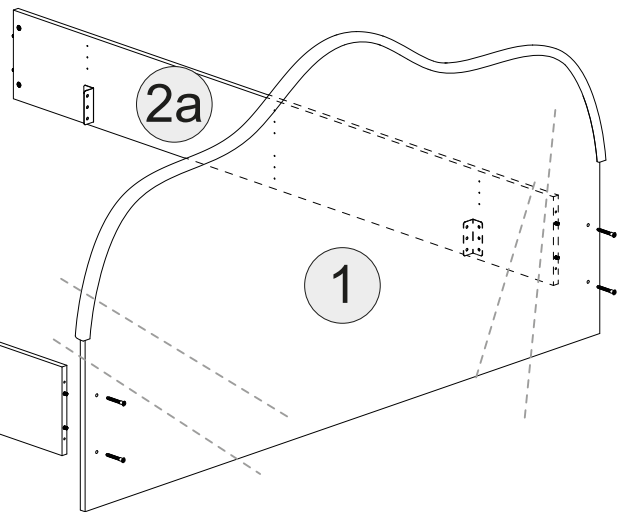
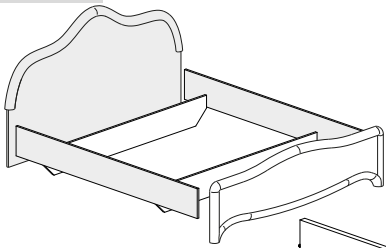
2



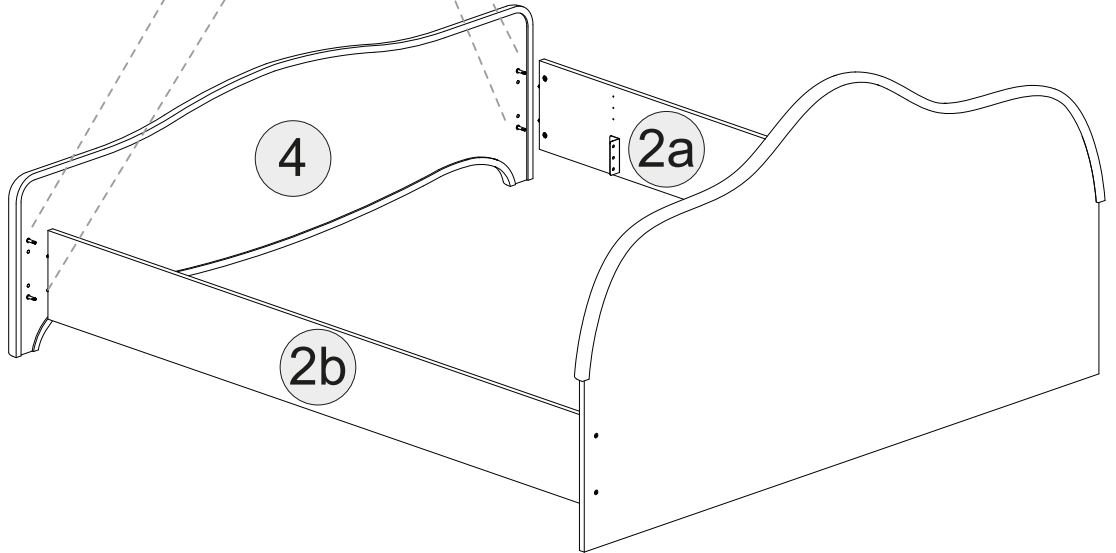
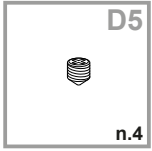
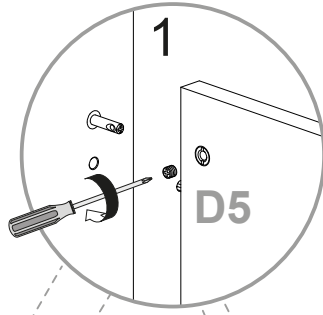
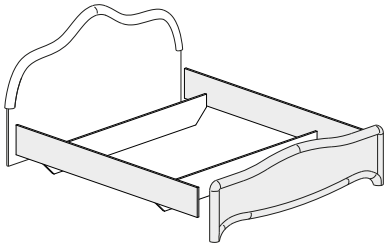
3



4



5



6

