

# Assembling Instruction

Figure 1

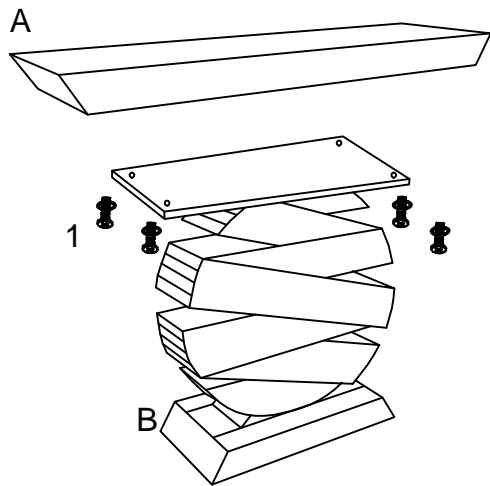
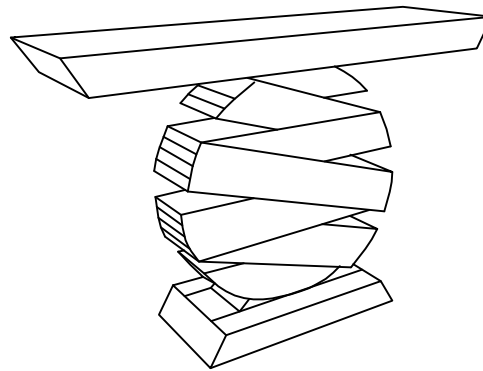
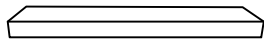
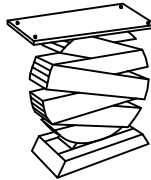




Figure 2



Parts Details

Part No		QTY
A		1 PC
B		1 PCS
1		4PCS
2		1 PC