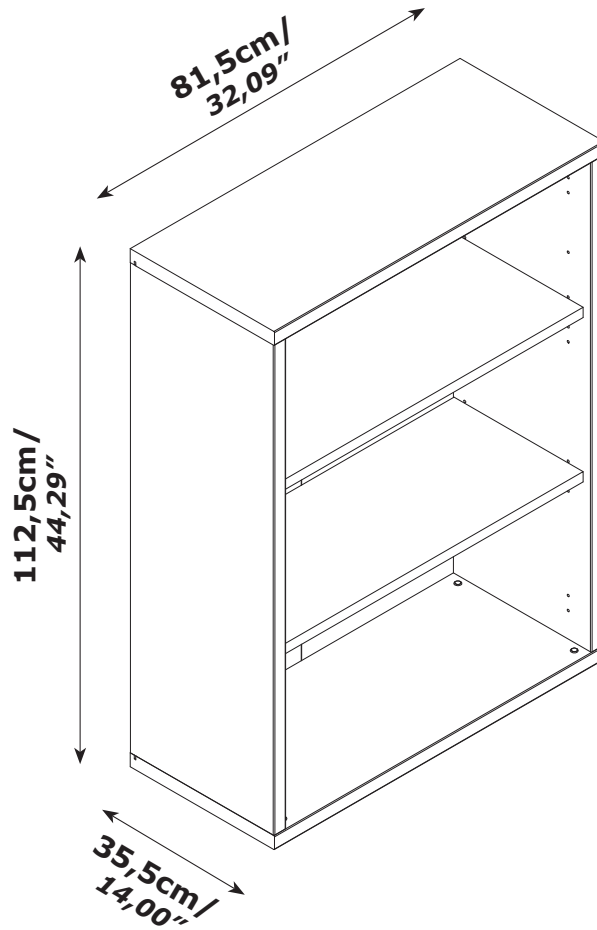
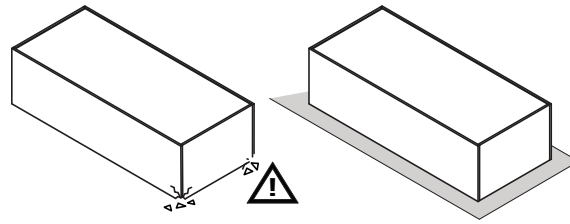
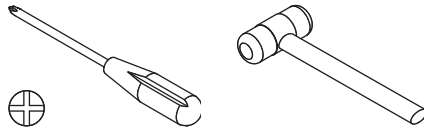
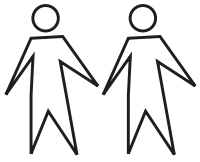


LB4800B



QF5180



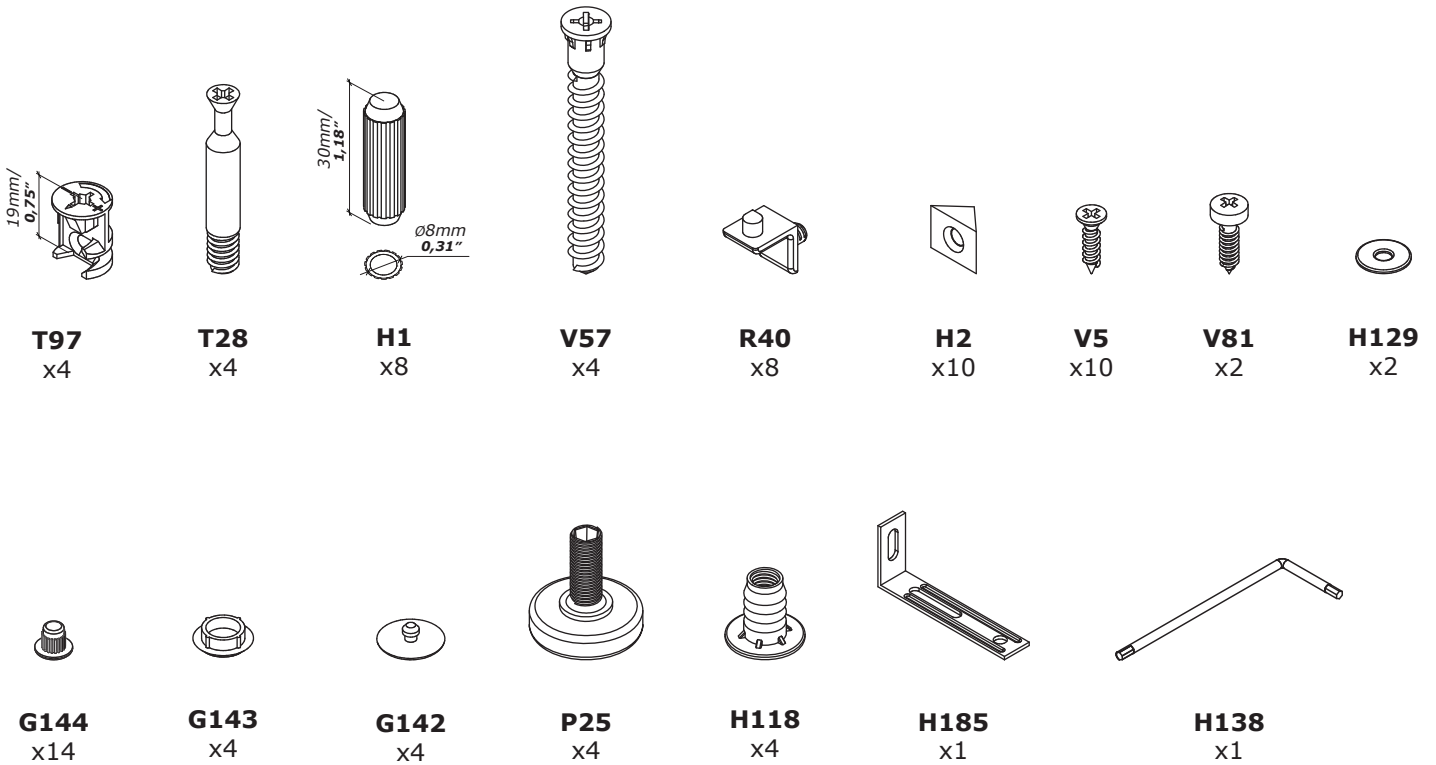
IT IS RECOMMENDED THAT THE ANTI-TIP KIT INCLUDED WITH THIS PRODUCT BE INSTALLED FOR ADDED SAFETY AND STABILITY.

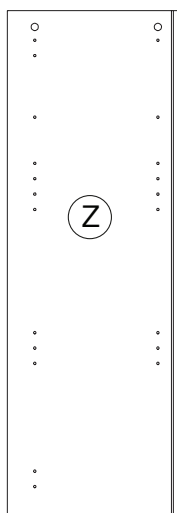
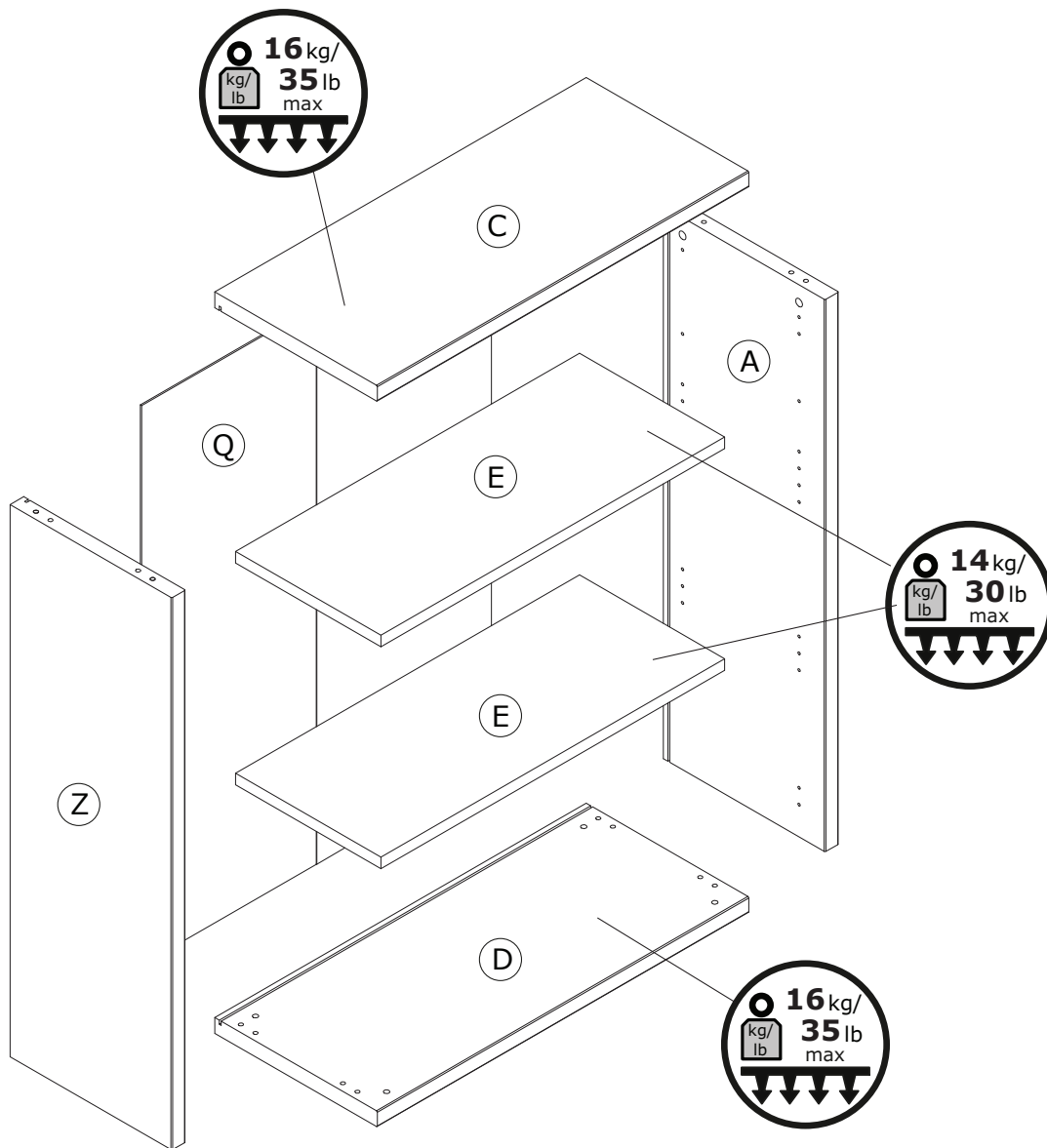
IT IS ESSENTIAL TO USE WALL ANCHORS APPROPRIATE FOR YOUR WALL TYPE (I.E. PLASTER, DRYWALL, CONCRETE, ETC.), ALONG WITH APPROPRIATE SCREWS, FOR PROPER MOUNTING.

THE SCREWS INCLUDED IN THIS ANTI-TIP KIT MAY NOT BE SUITED FOR ALL WALL TYPES. MOUNTING TO WOOD STUDS IS RECOMMENDED.

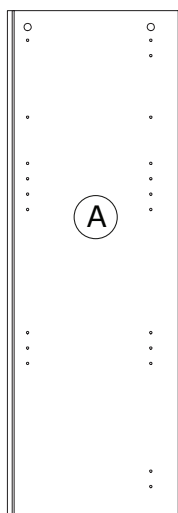
CONSULT A QUALIFIED PROFESSIONAL OR YOUR LOCAL HARDWARE STORE FOR APPROPRIATE MOUNTING HARDWARE SUITED FOR YOUR SPECIFIC WALL MEDIUM.

BU2925

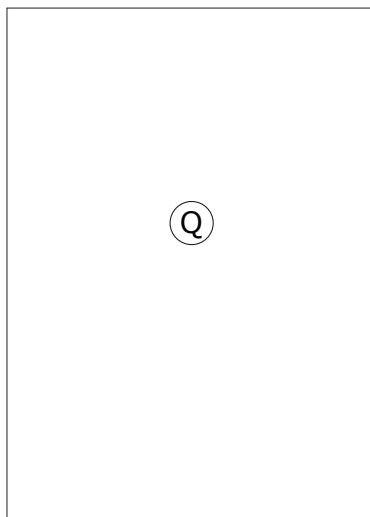




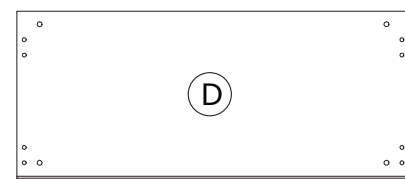
F17709
1051x355x30mm/
41,38" x 13,98" x 1,18"



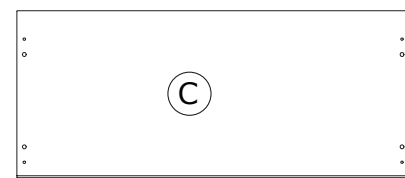
F17708
1051x355x30mm/
41,38" x 13,98" x 1,18"



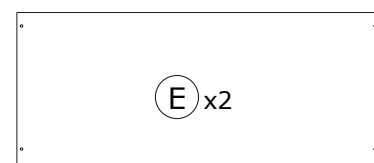
SH2537
1065x768x2mm/
41,93" x 30,24" x 0,08"



BA1927
816x357x30mm/
32,12" x 14,05" x 1,18"

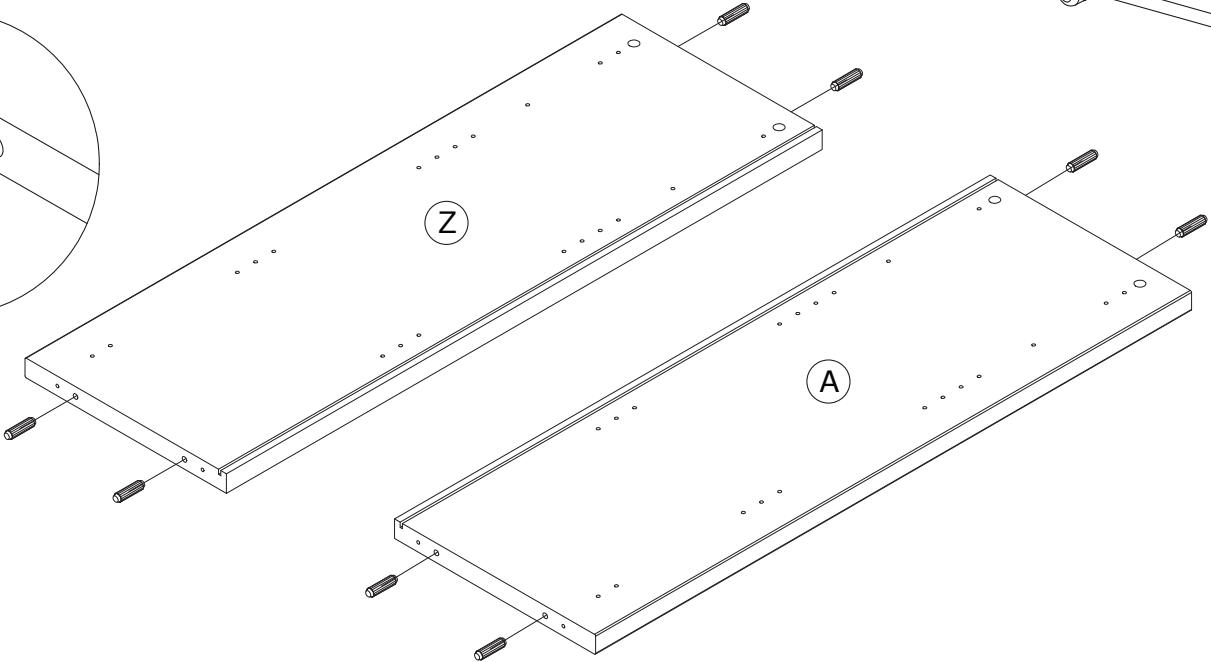
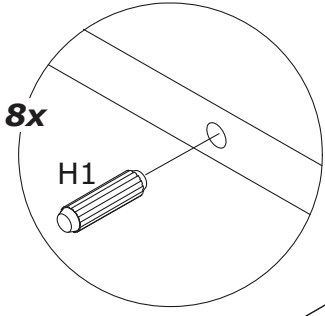


CA3164
816x357x30mm/
32,12" x 14,05" x 1,18"

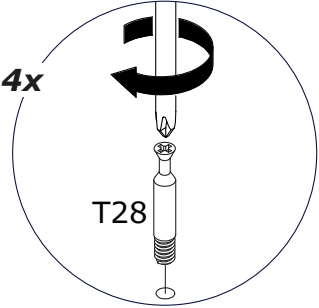
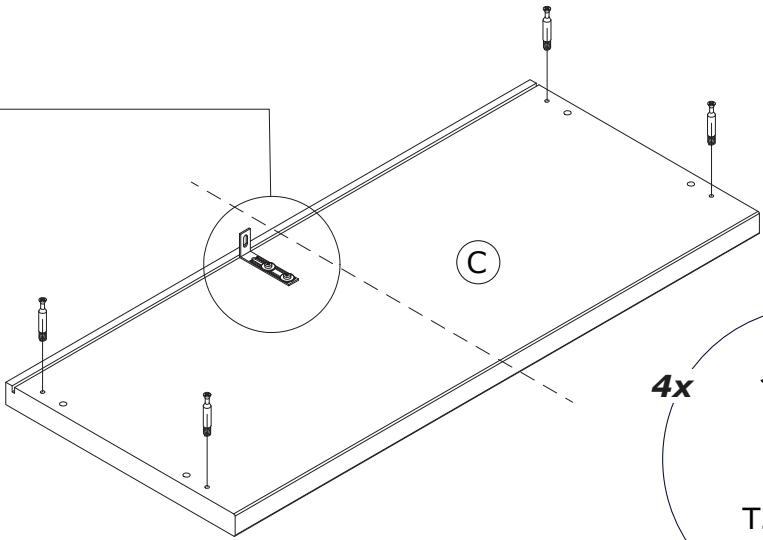
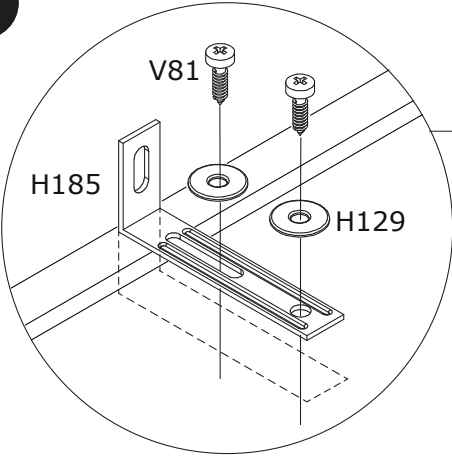


PI6646
755x319x22mm/
29,72" x 12,56" x 0,87"

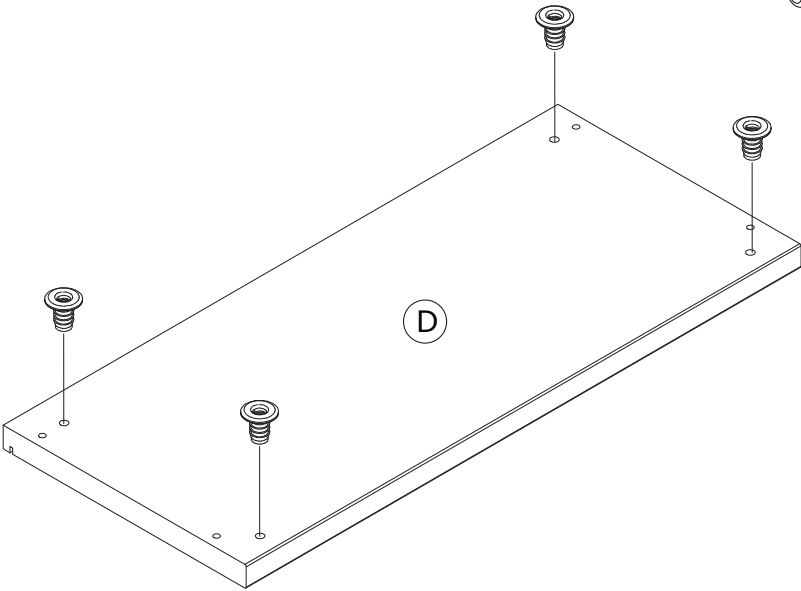
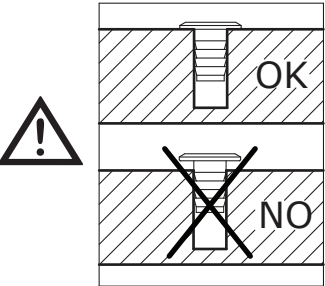
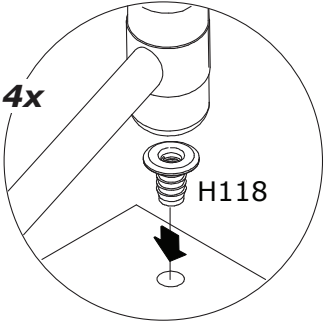
1



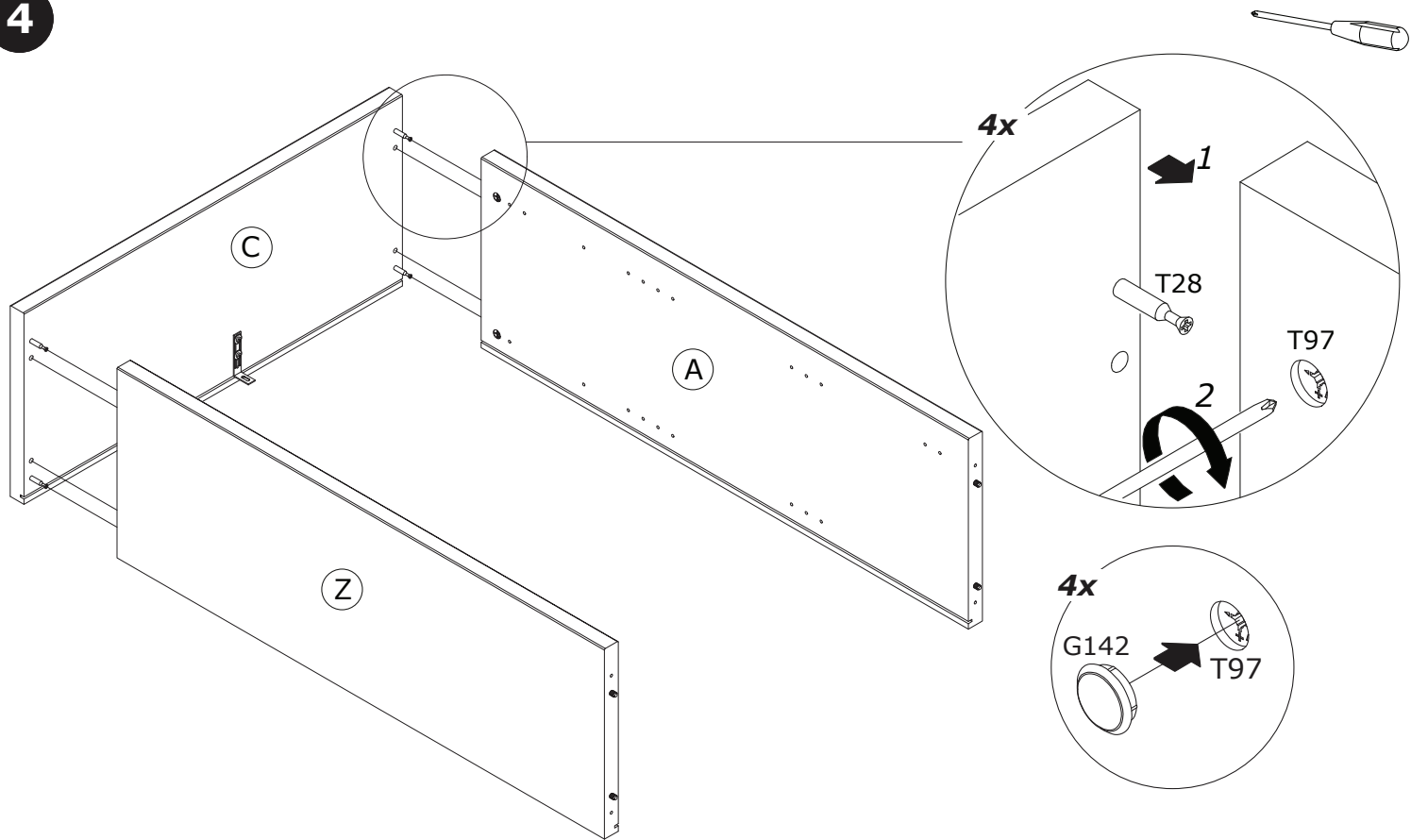
2



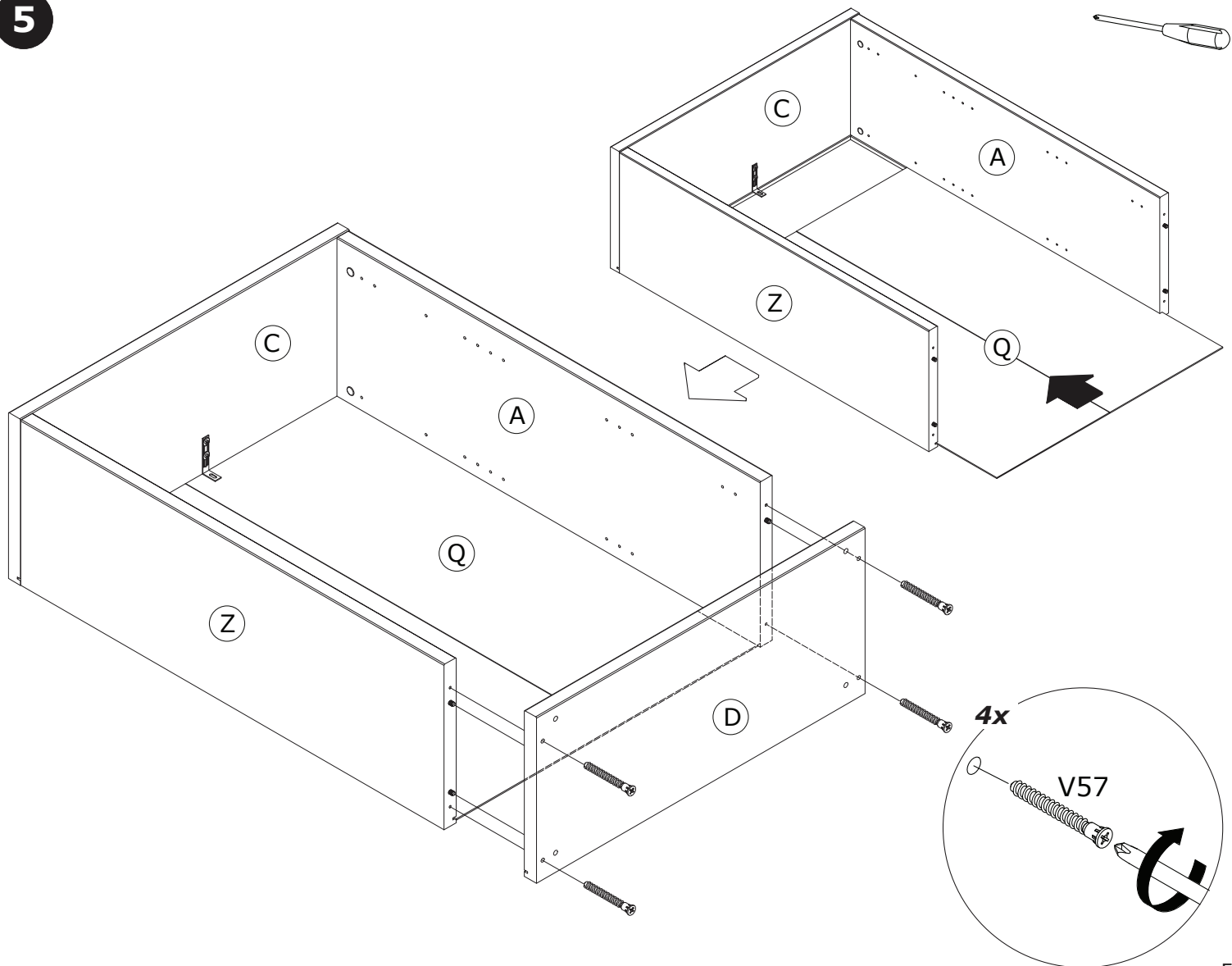
3



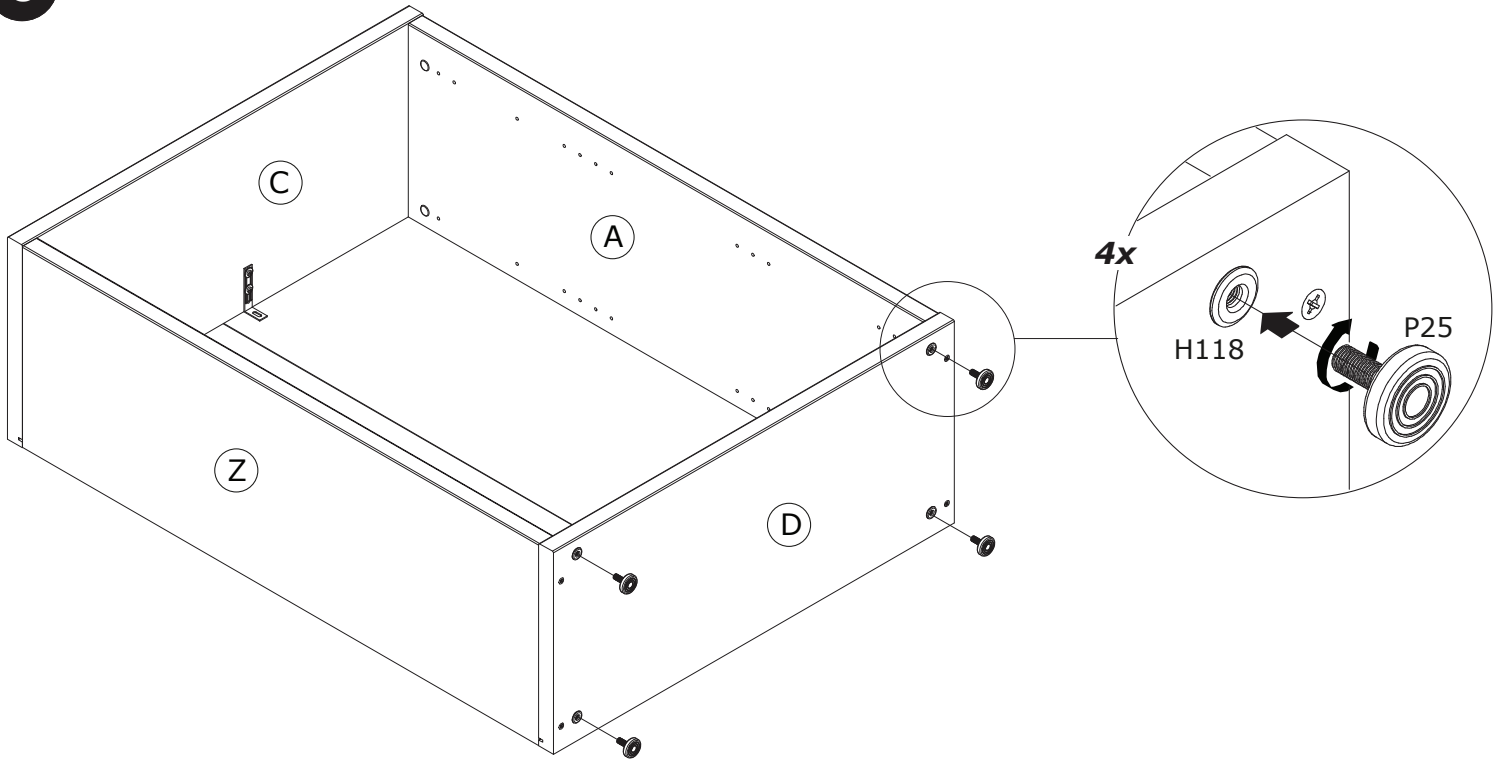
4



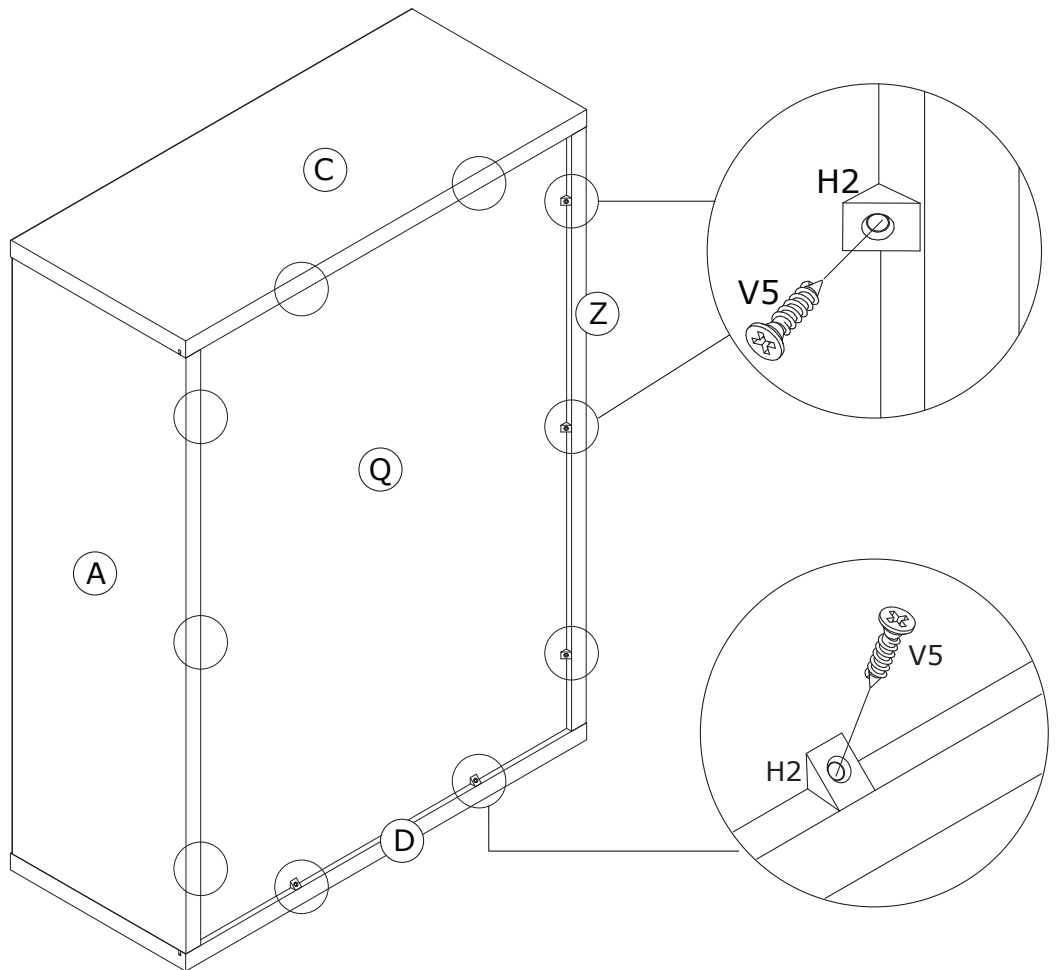
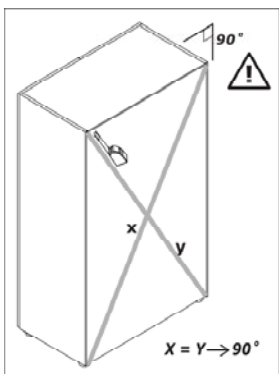
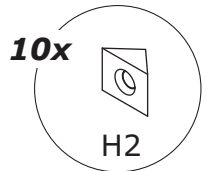
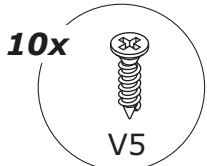
5

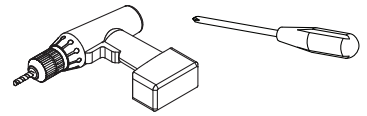


6



7





IT IS RECOMMENDED THAT THE ANTI-TIP KIT INCLUDED WITH THIS PRODUCT BE INSTALLED FOR ADDED SAFETY AND STABILITY.

IT IS ESSENTIAL TO USE WALL ANCHORS APPROPRIATE FOR YOUR WALL TYPE (I.E. PLASTER, DRYWALL, CONCRETE, ETC.), ALONG WITH APPROPRIATE SCREWS, FOR PROPER MOUNTING.

THE SCREWS INCLUDED IN THIS ANTI-TIP KIT MAY NOT BE SUITED FOR ALL WALL TYPES. MOUNTING TO WOOD STUDS IS RECOMMENDED.

CONSULT A QUALIFIED PROFESSIONAL OR YOUR LOCAL HARDWARE STORE FOR APPROPRIATE MOUNTING HARDWARE SUITED FOR YOUR SPECIFIC WALL MEDIUM.

