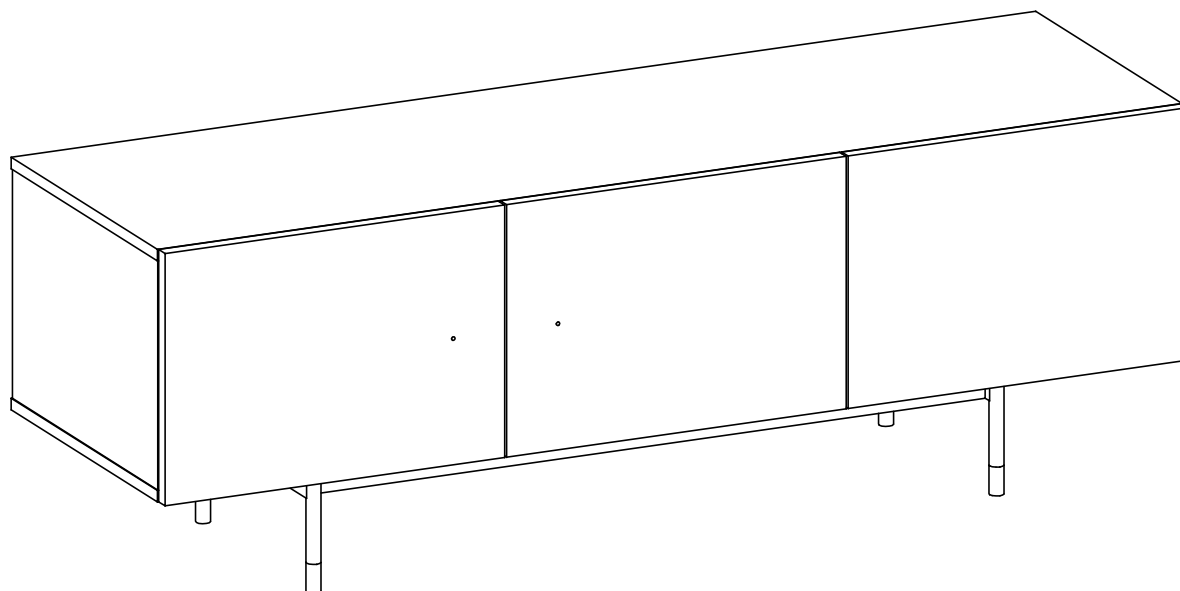


# Assembly Instruction

---



---

1500 x 470 x 520

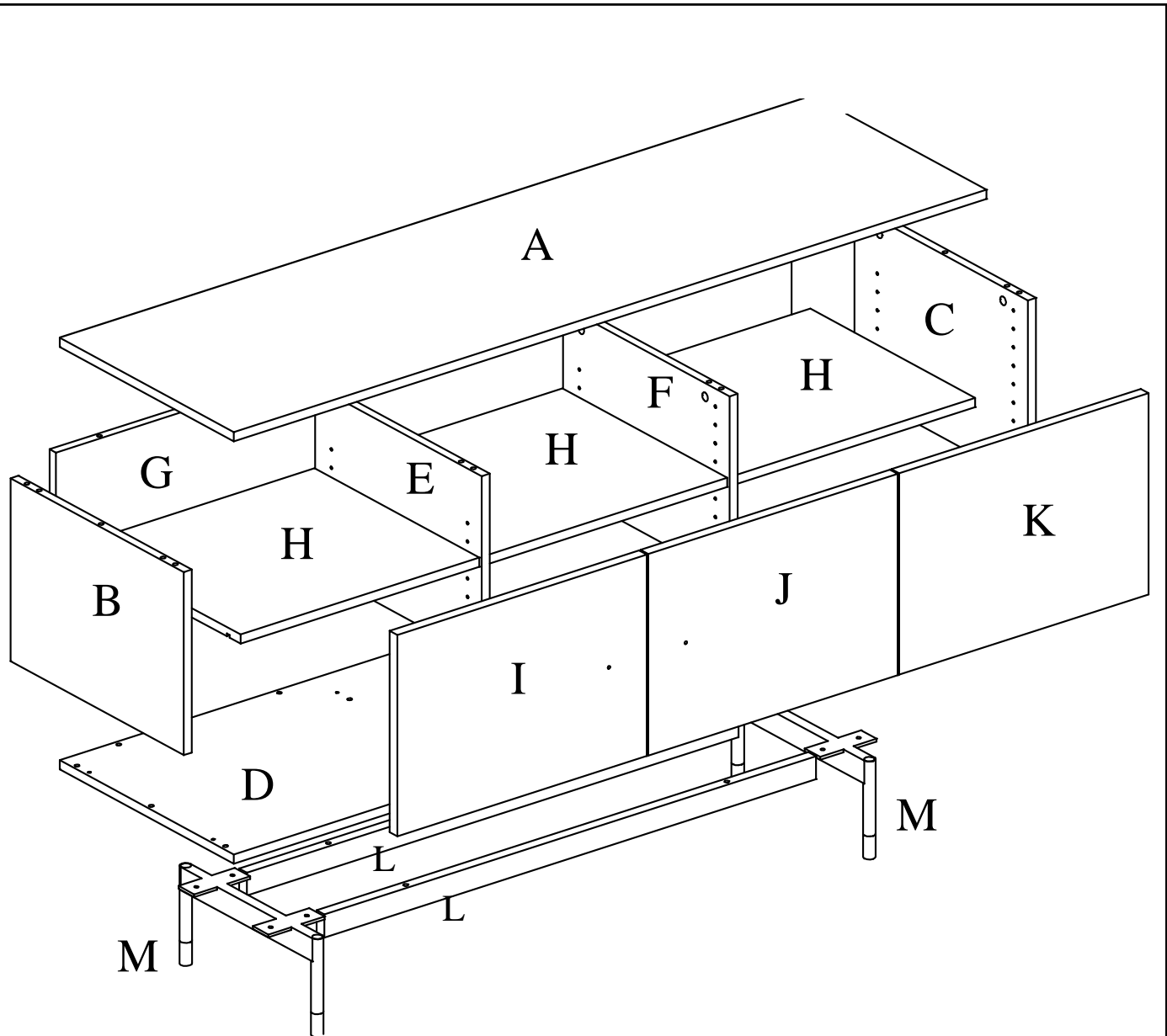
---

**Woodman OÜ**

Made in Estonia  
Mäo, Järvamaa  
Tel. +372 56 480 294  
Fax +372 50 71 911  
info@woodman.ee



**Reference no:**



**ENG - In case of any quality issues, contact your local dealer and always mention item reference No.**

**FR - En cas de problèmes de qualité, contactez votre revendeur local et mentionnez toujours la référence de l'article.**

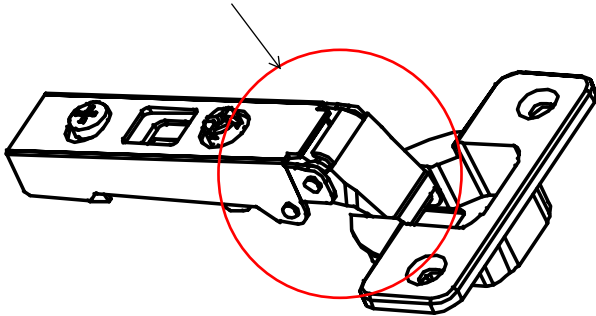
**IT - In caso di eventuali problemi di qualità, contattare il rivenditore locale e citare sempre punto di riferimento No.**

**ES - En caso de problemas de calidad, póngase en contacto con su distribuidor local y mencione siempre la referencia del artículo.**

**DE - Wenn Sie Qualitätsprobleme haben wenden Sie sich bitte an ihren örtlichen Händler und erwähnen Sie immer die Artikelnummer.**

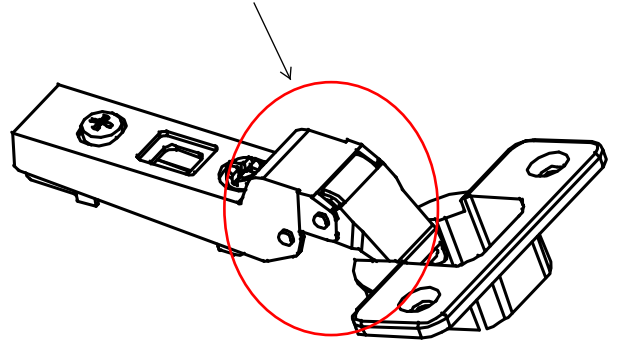
			A1	A2	A3	A4
			 M8x35 x30	 x8	 x8	 x8
	A5	A6	A7	A8	A9	A10
	 ø5x50 x8	 3mm/4mm x1/x1	 x2	 x4	 x4	 x2
QTY	x8	x1/x1	x2	x4	x4	x2
	A11	A12	A13	A14	A15	A16
	 x12	 x12	 M6x50 x6	 M6x16 x8	 x2	 x4
QTY	x12	x12	x6	x8	x2	x4

**NB !!!**



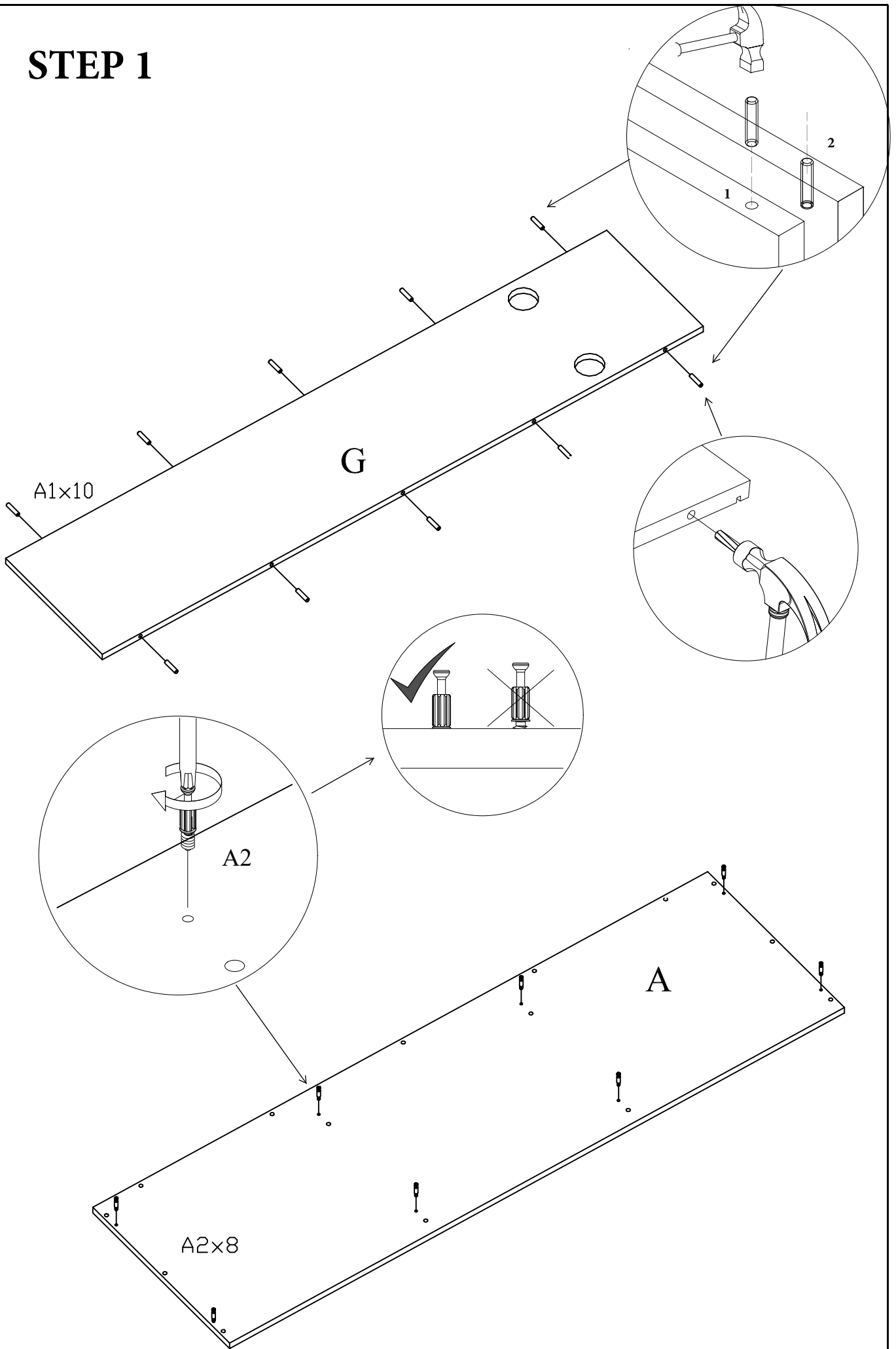
**A8 - 4x**

**NB !!!**

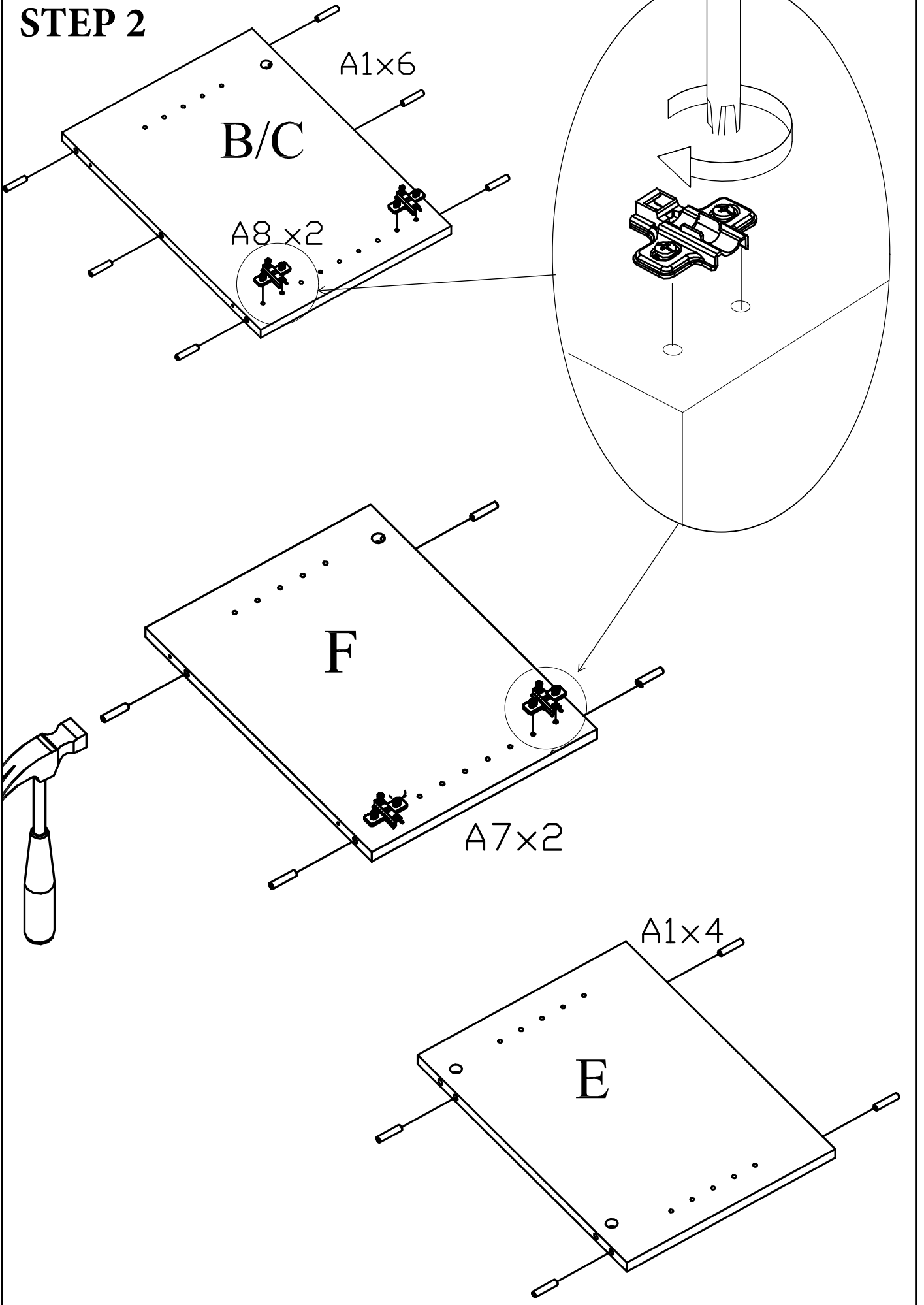


**A7 - 2x**

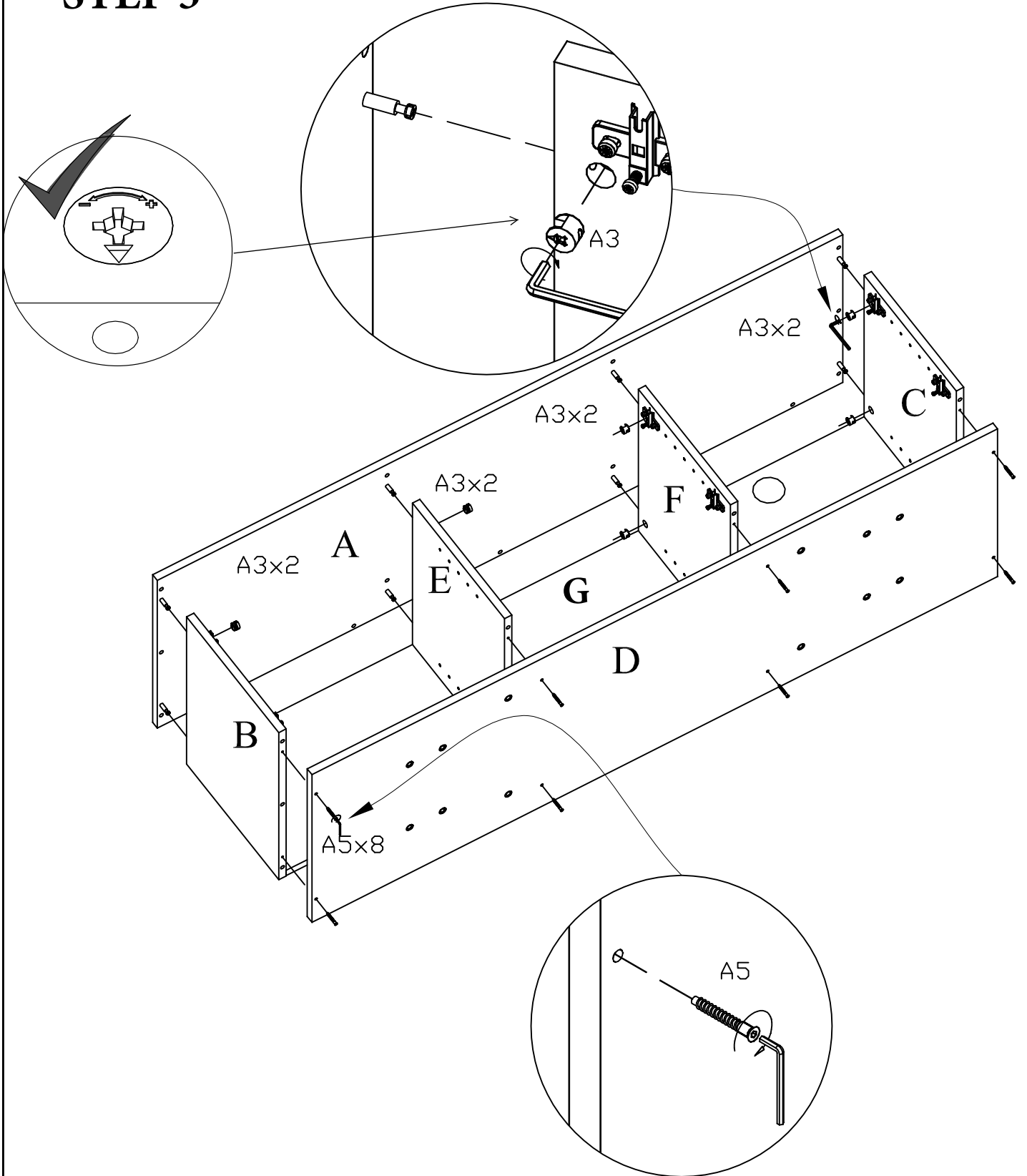
# STEP 1



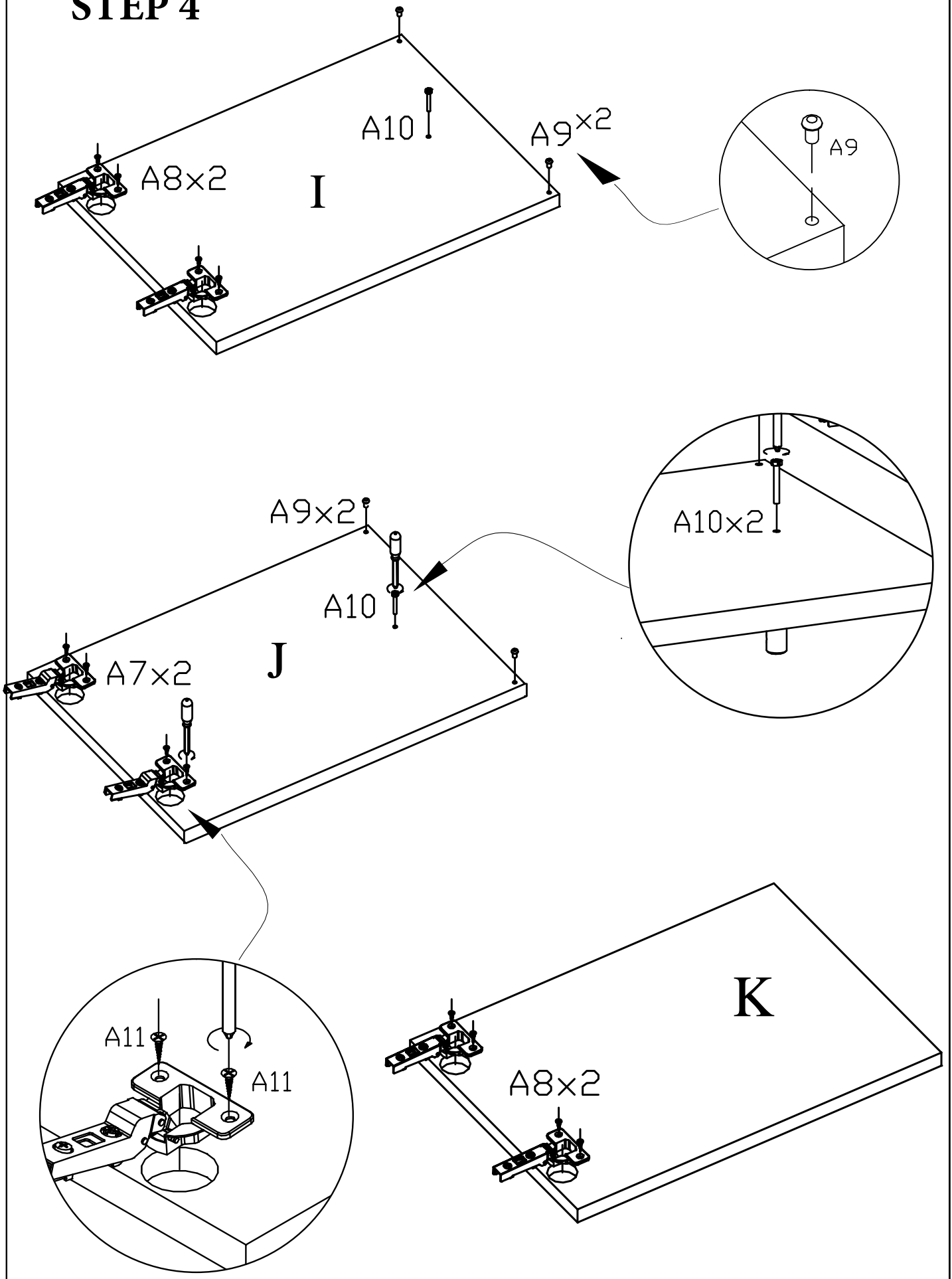
# STEP 2



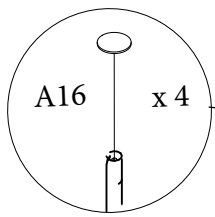
# STEP 3



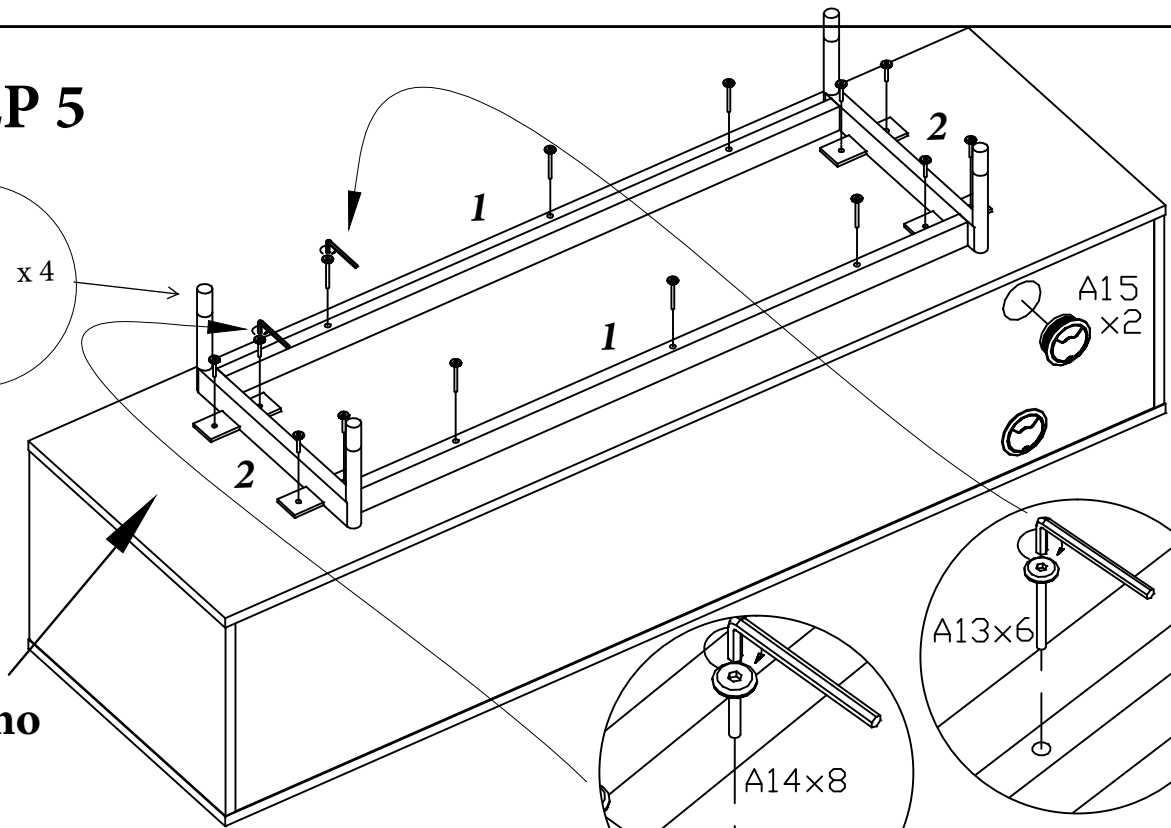
# STEP 4



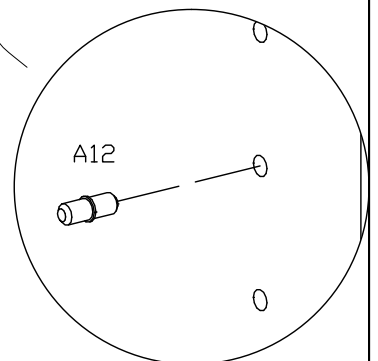
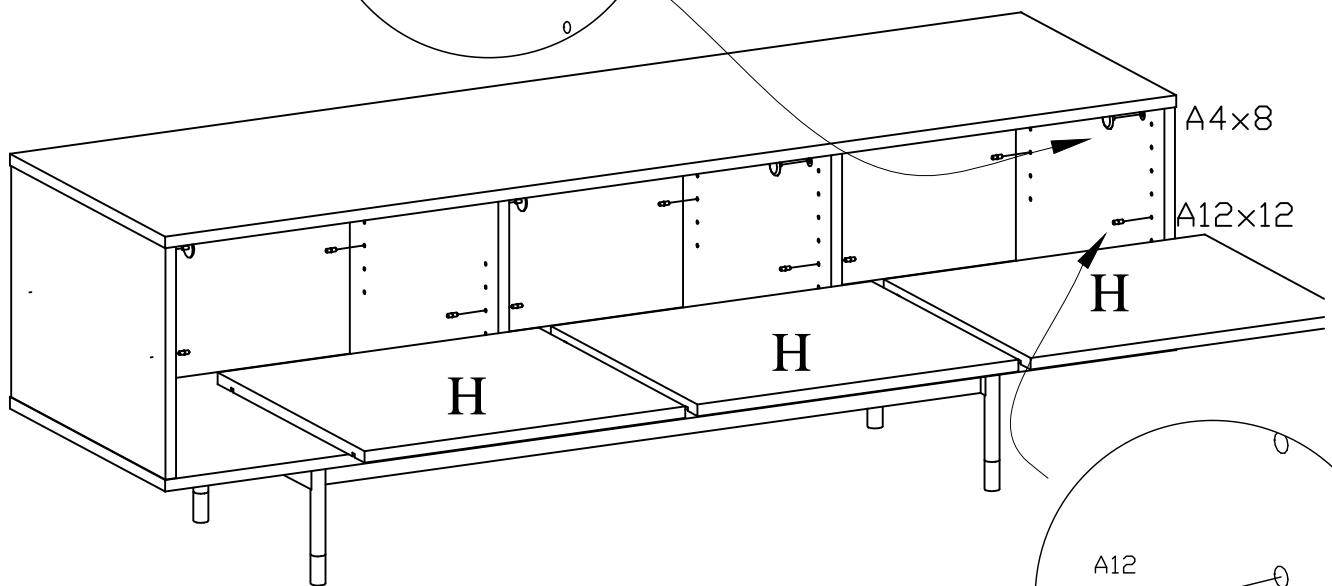
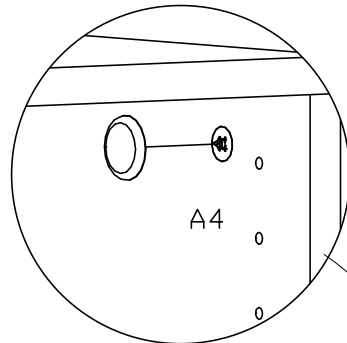
# STEP 5



Ref. no

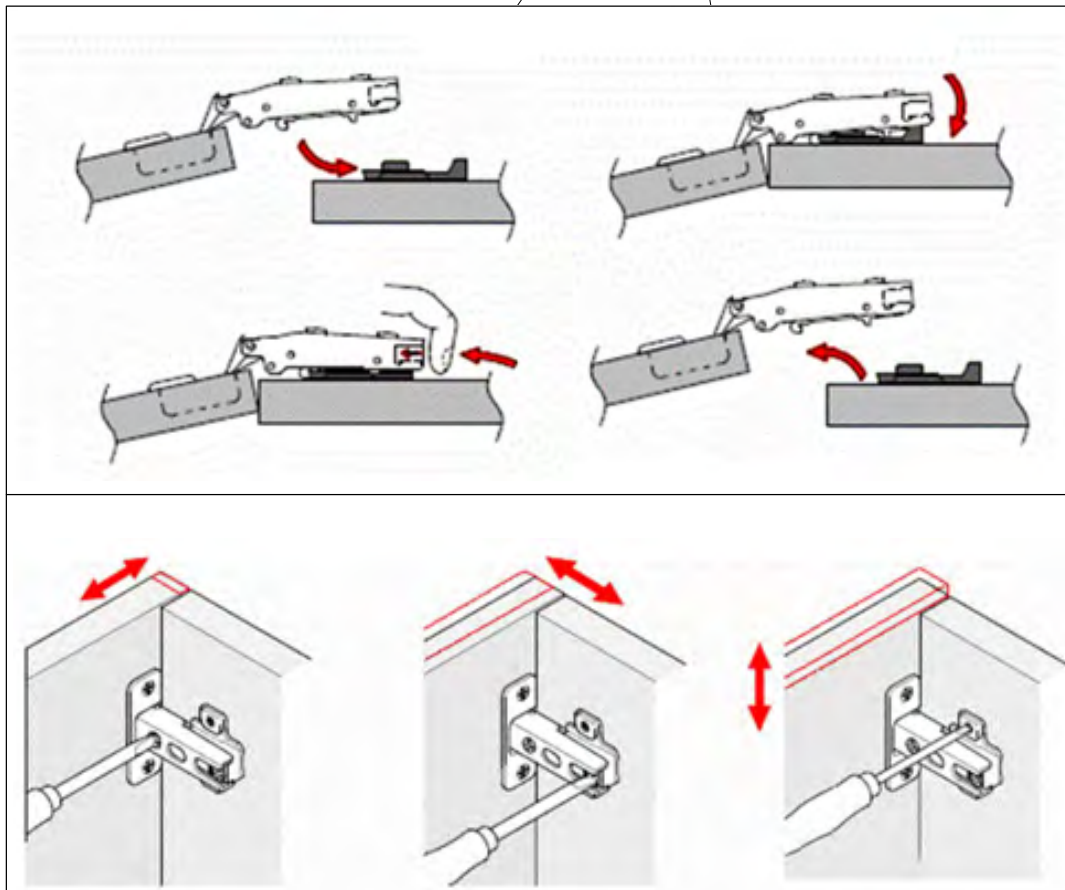
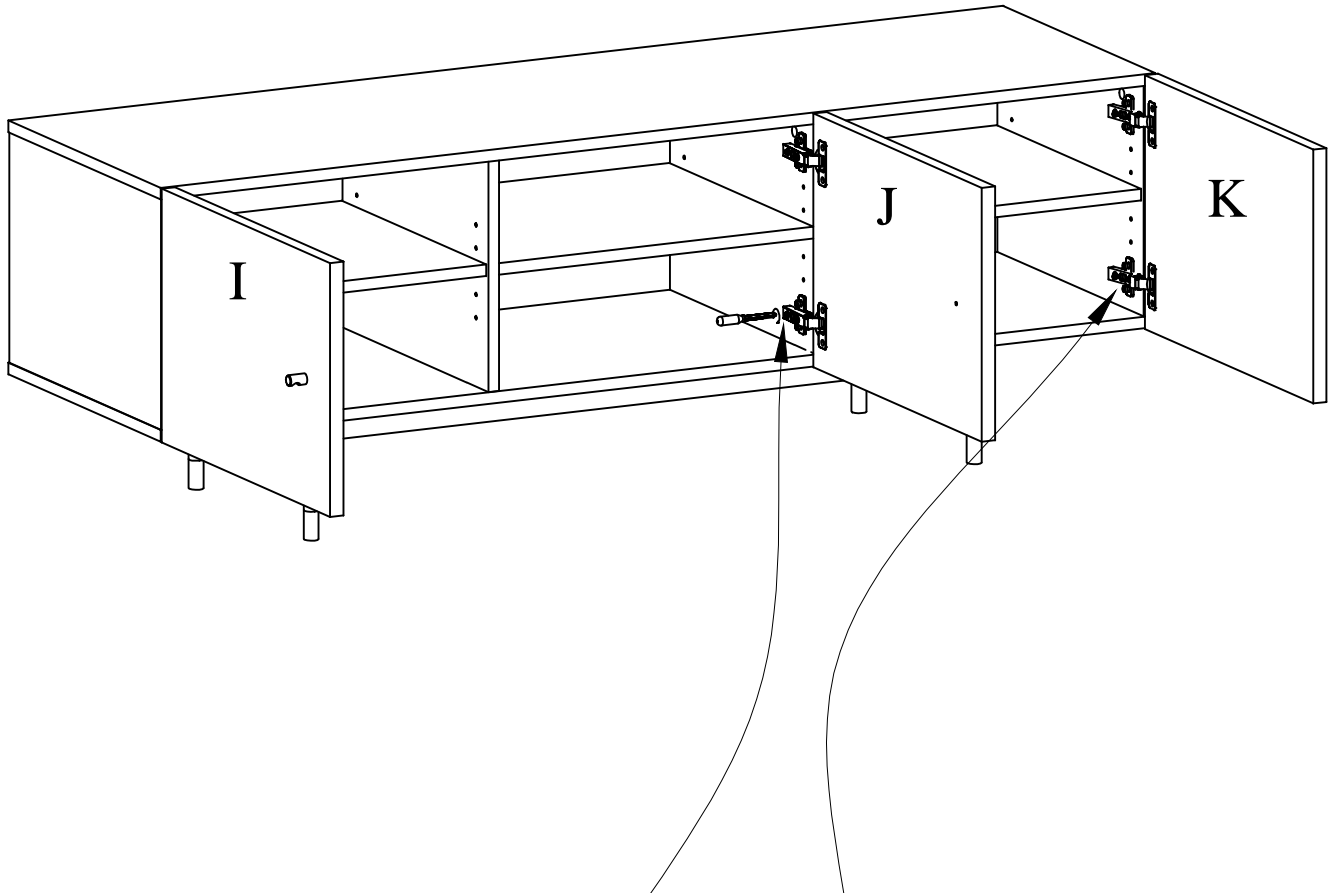


# STEP 6





# STEP 7



# Safety and Care Advice

## General care and maintenance

Only clean using a damp cloth and mild detergent, do not use bleach or abrasive cleaners.

From time to time check that there are no loose screws on this unit.

This product should not be discarded with household waste. Take to your local authority waste disposal centre.

## Cleaning and care of lacquered surfaces

Regular dusting with a dry cloth will keep your units clean.

Clean marks with a damp cloth.

Do not use abrasive cleaners.

Do not clean with products containing following:

Acetone (e.g nail varnish remover). Ammonia (e.g.bleach) or Sodium hydroxid (e.g. Caustic soda, drain and oven cleaners) .

To remove stubborn stain, wipe over with damp cloth and washing up liquid.

In the event of accidental contact with aggressive cleaners, rinse thoroughly with water. Use place mats to protect the surface from moisture and heat.

## Maximum weight limit

**Important:** Recommended maximum load for each shelf is shown below.

