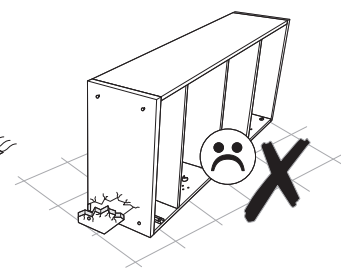
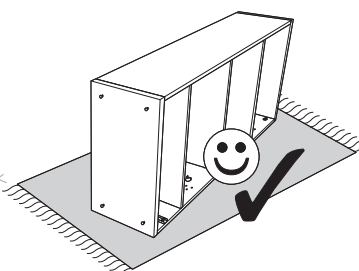
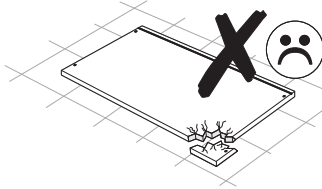
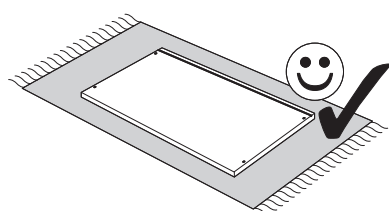
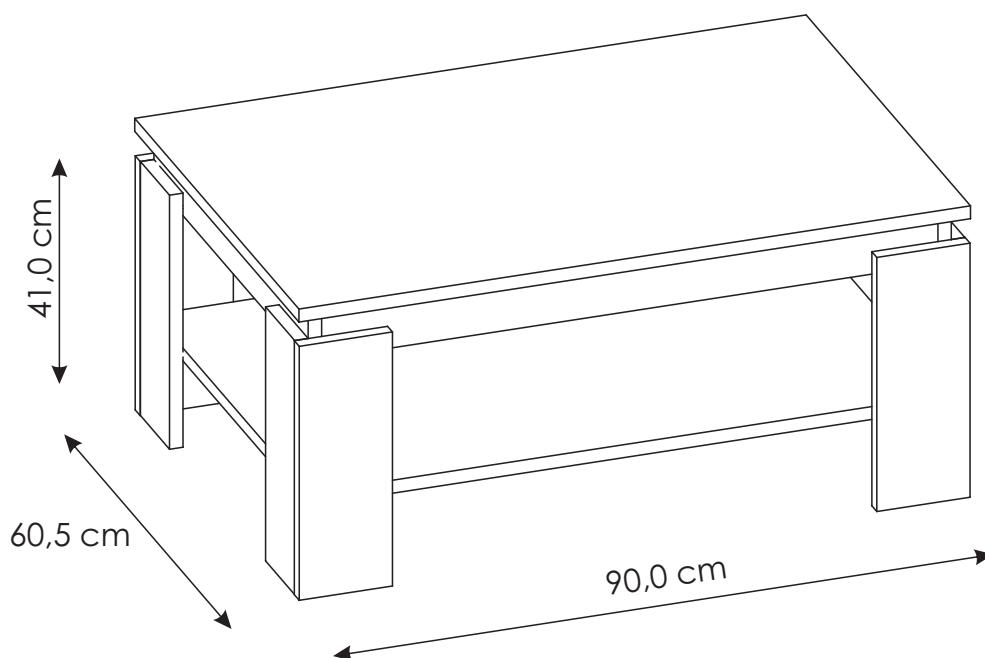
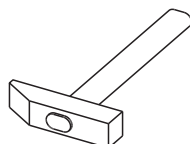
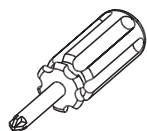
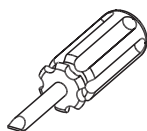
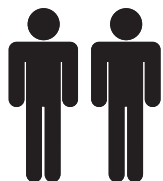
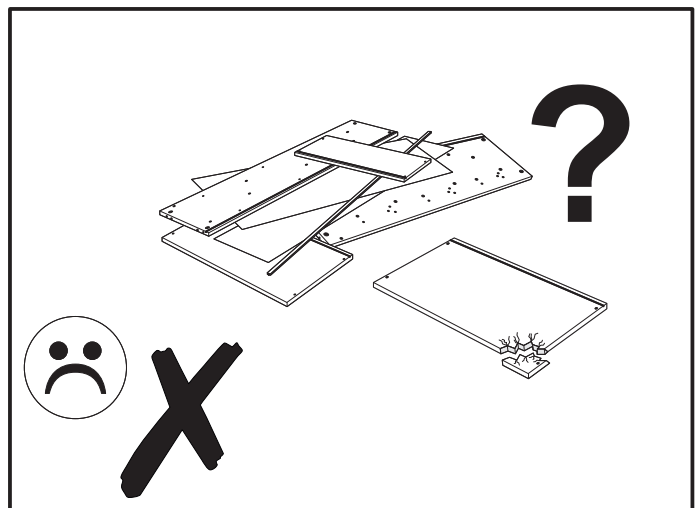
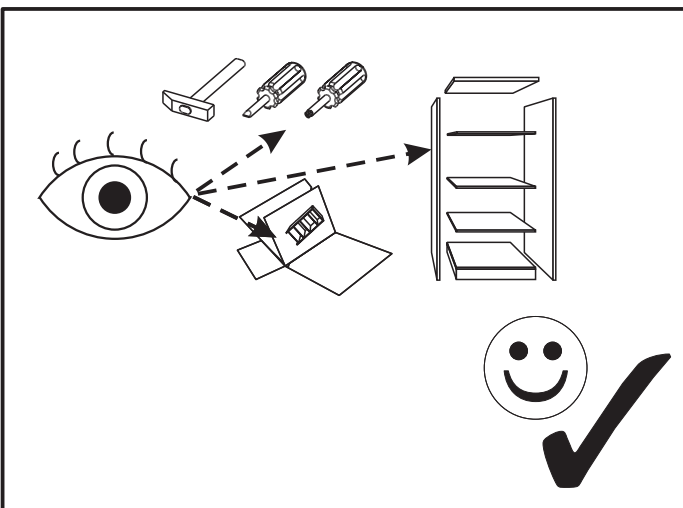
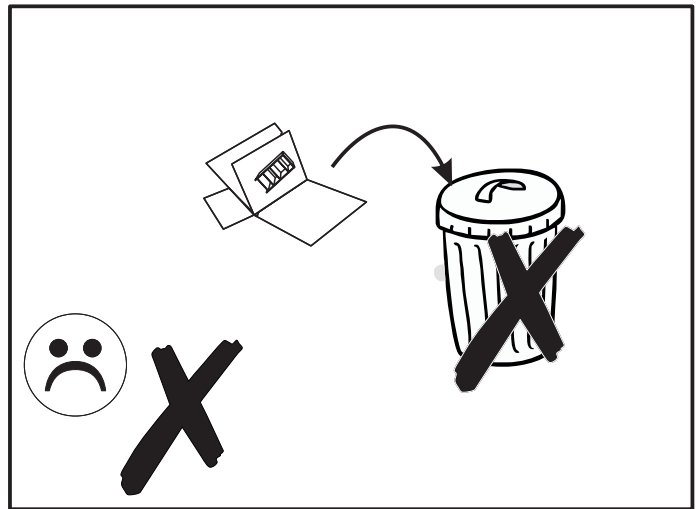
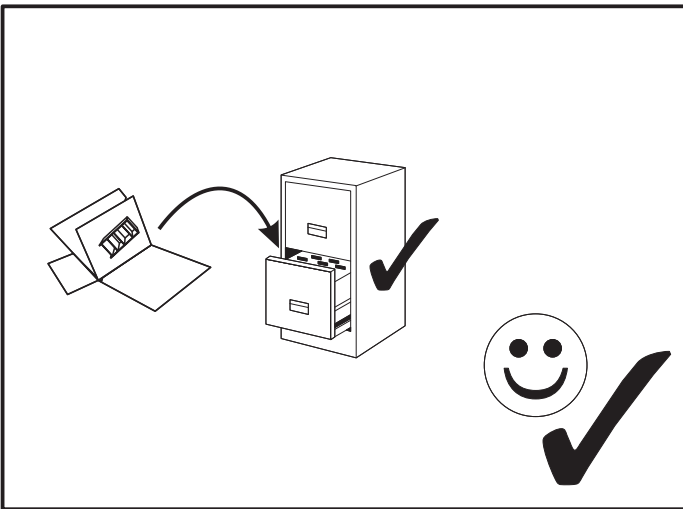
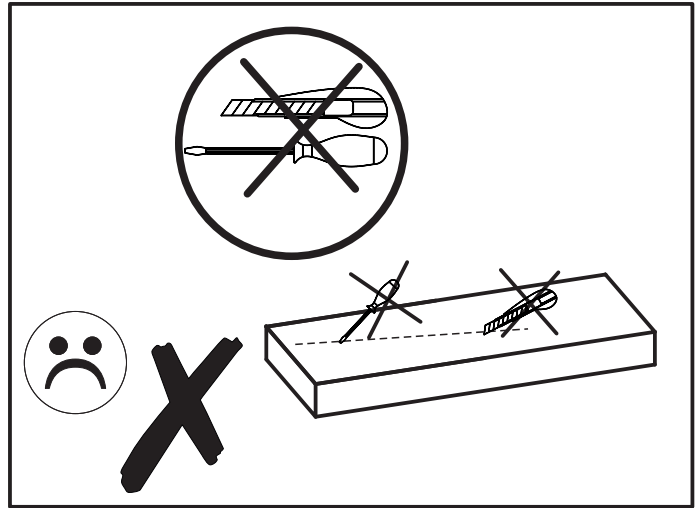
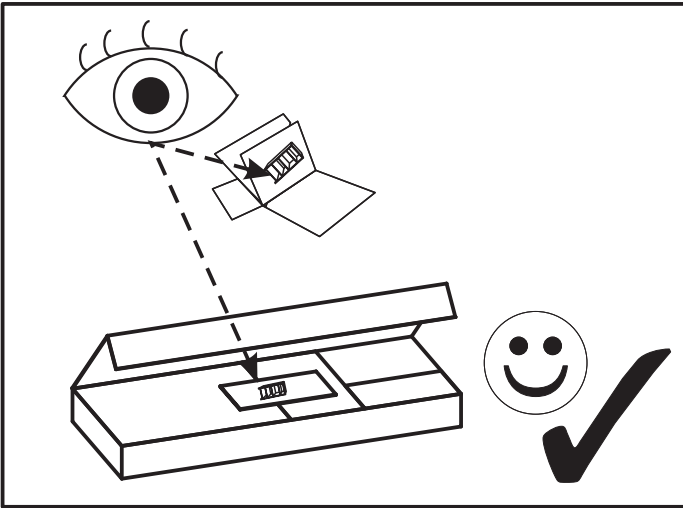


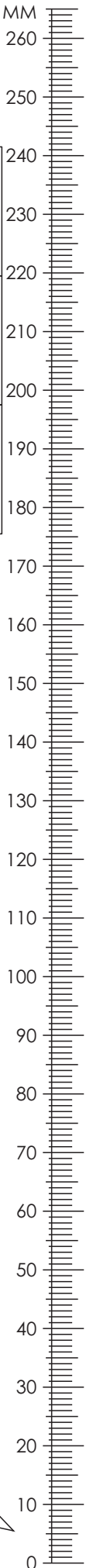
TIM II xxx-707


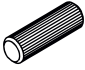
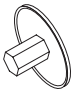

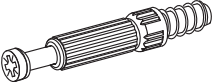

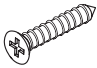
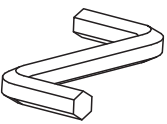
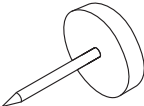
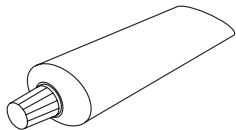
Hela Tische Möbel Vertriebs GmbH
Scheidkamp 14 D 32584 Löhne
service@hela-tische.de





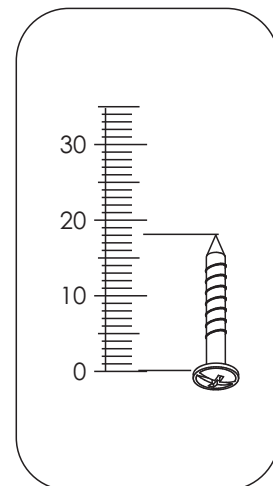
TIM II xxx-707



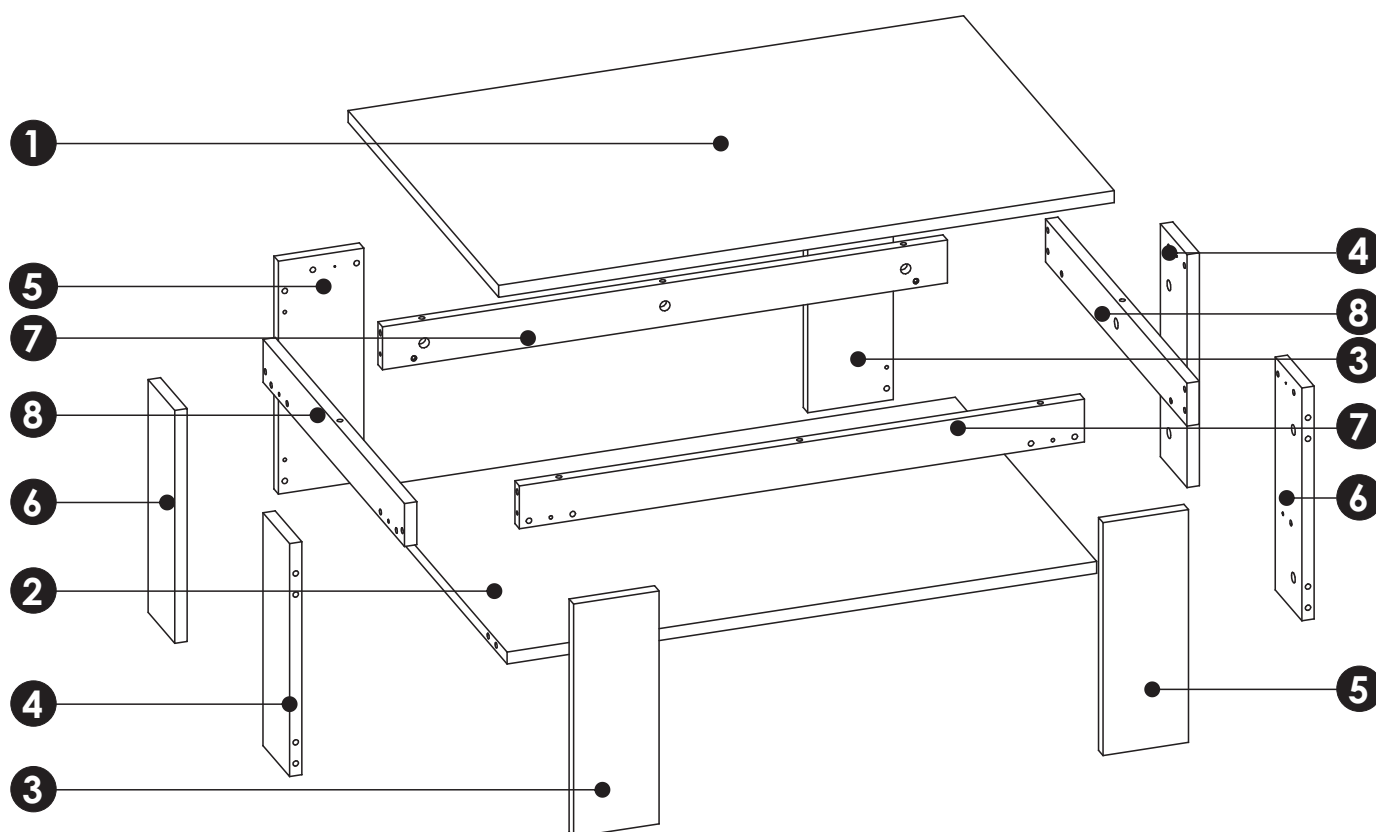
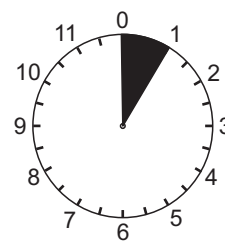
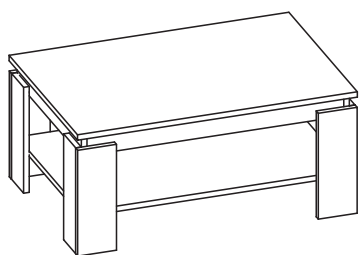
A0 8 x 24 mm x16 	A1 8 x 35 mm x16 	E0 x20 
E1 15 x 12,5 mm x20 	F1 6 x 34 mm x20 	G1 7 x 50 mm x4 
J3 4 x 30 mm x8 	M x1 	O2 x8 
S x1 		



Séparez les éléments avant de trier



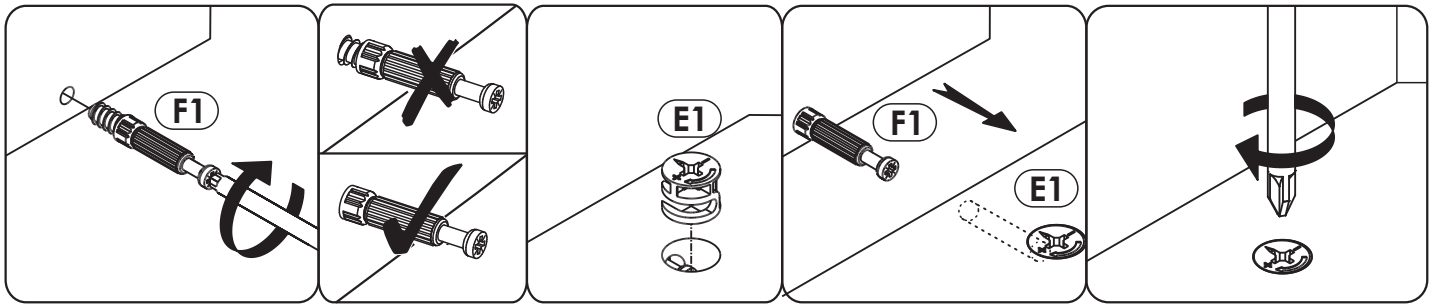
TIM II xxx-707



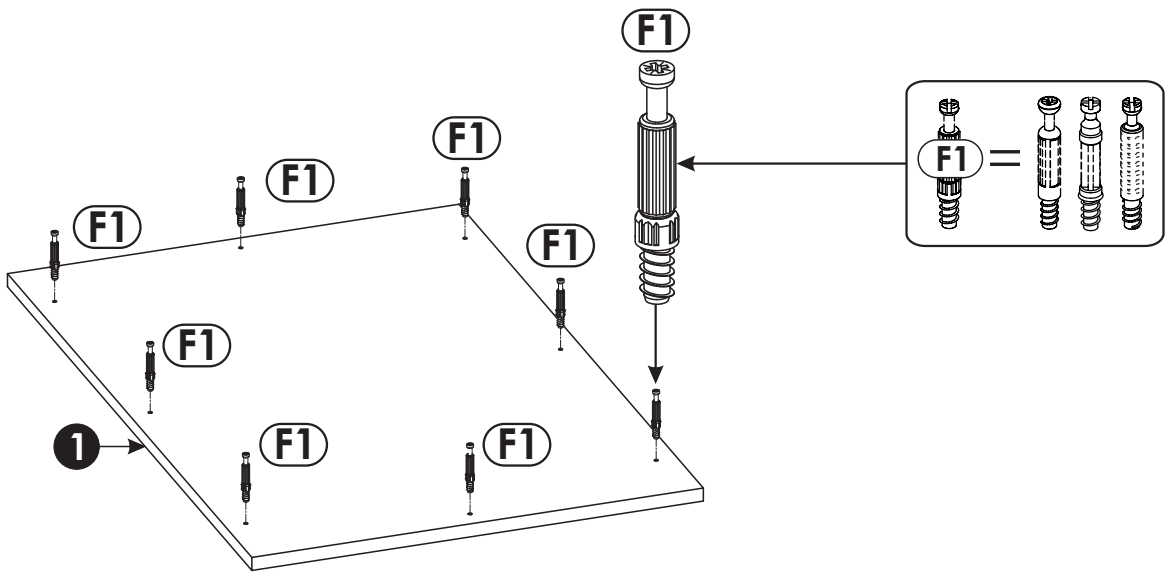
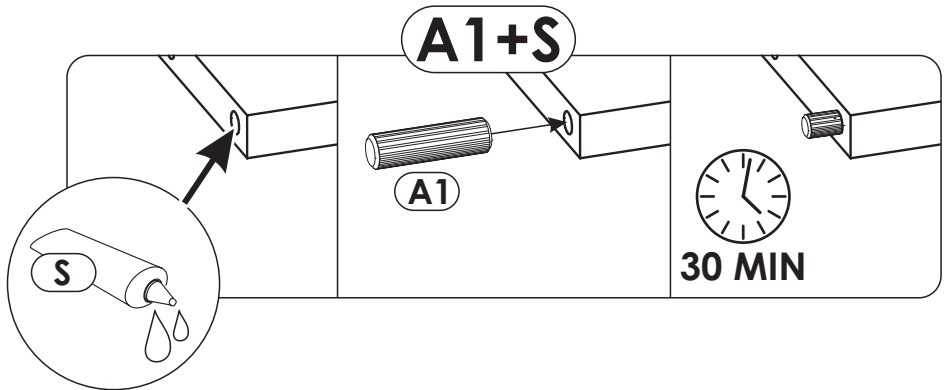
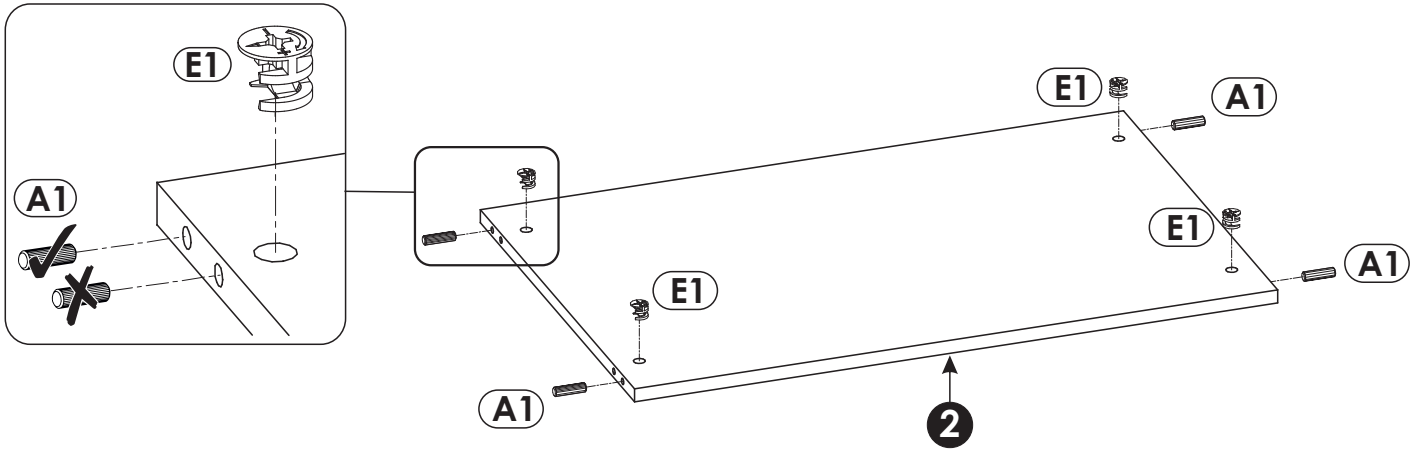
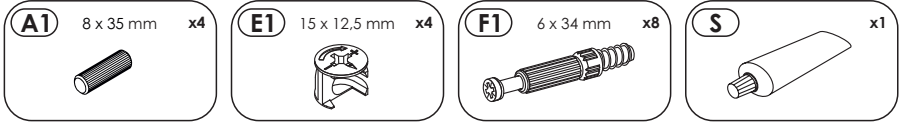
1	900	605	18	x1	1/1
2	862	568	18	x1	1/1
3	353	125	18	x2	1/1
4	353	107	18	x2	1/1

5	353	125	18	x2	1/1
6	353	107	18	x2	1/1
7	826	65	18	x2	1/1
8	568	65	18	x2	1/1

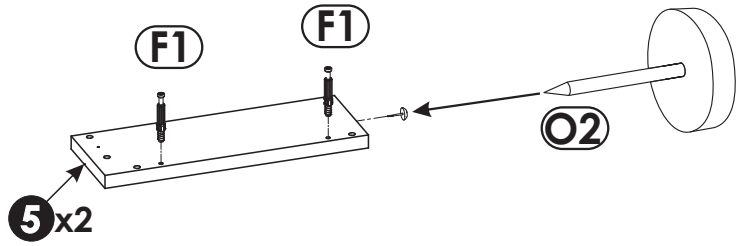
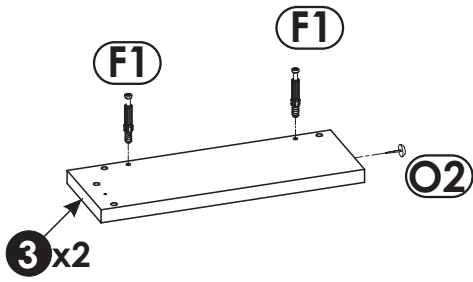
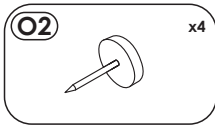
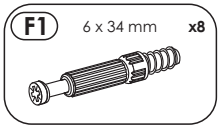
C1 $\frac{1}{1}$



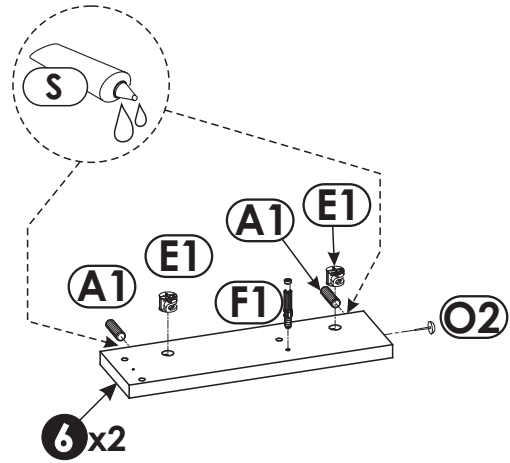
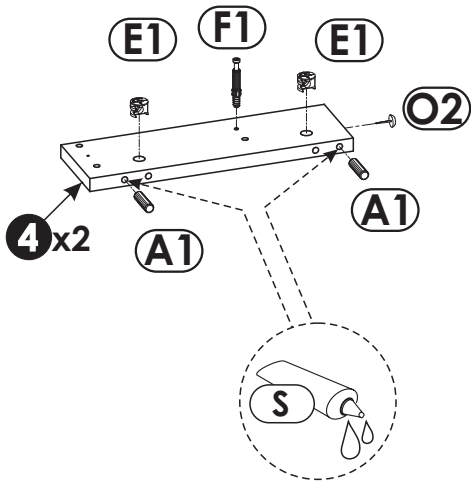
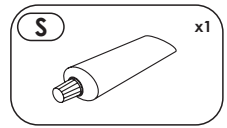
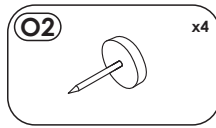
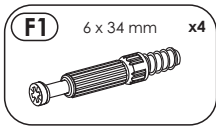
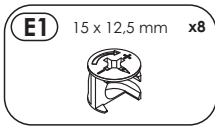
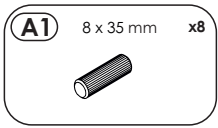
1 ▶



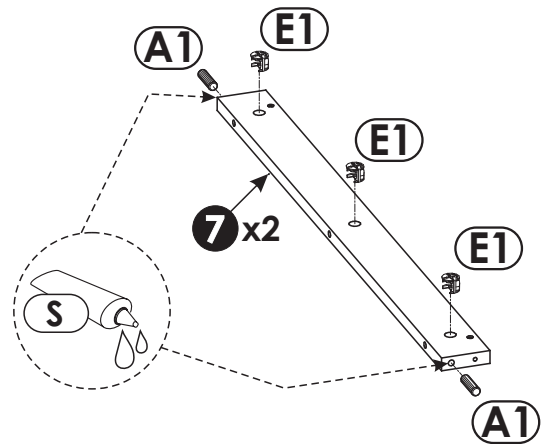
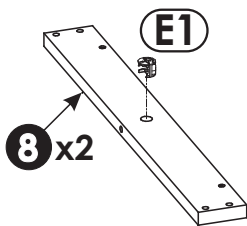
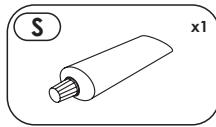
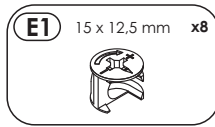
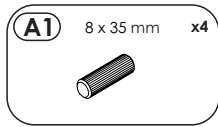
2 ▶



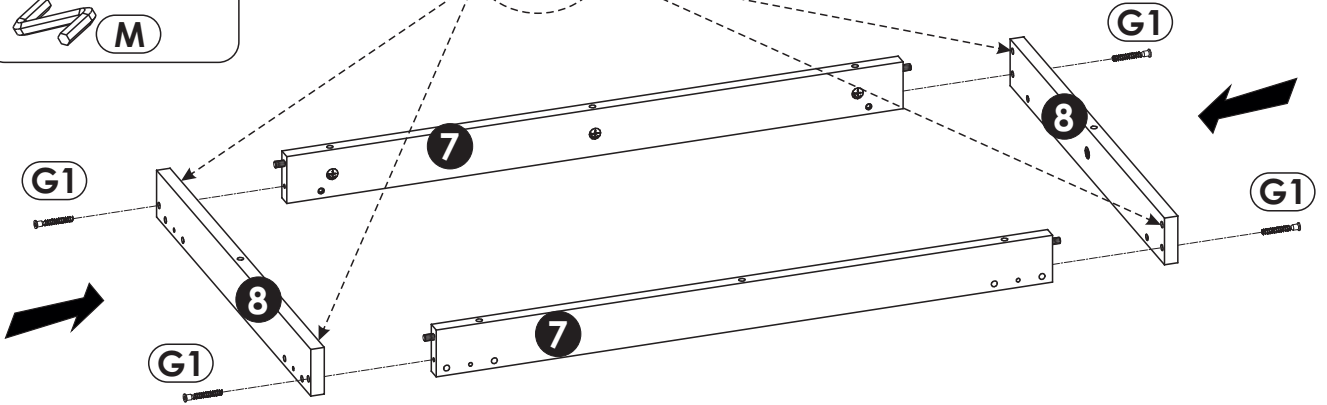
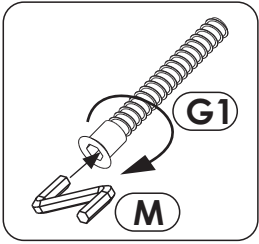
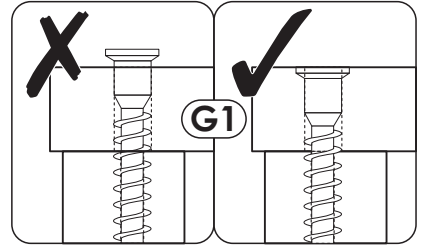
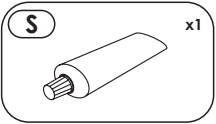
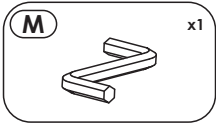
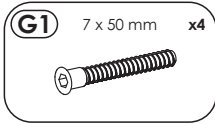
3 ▶



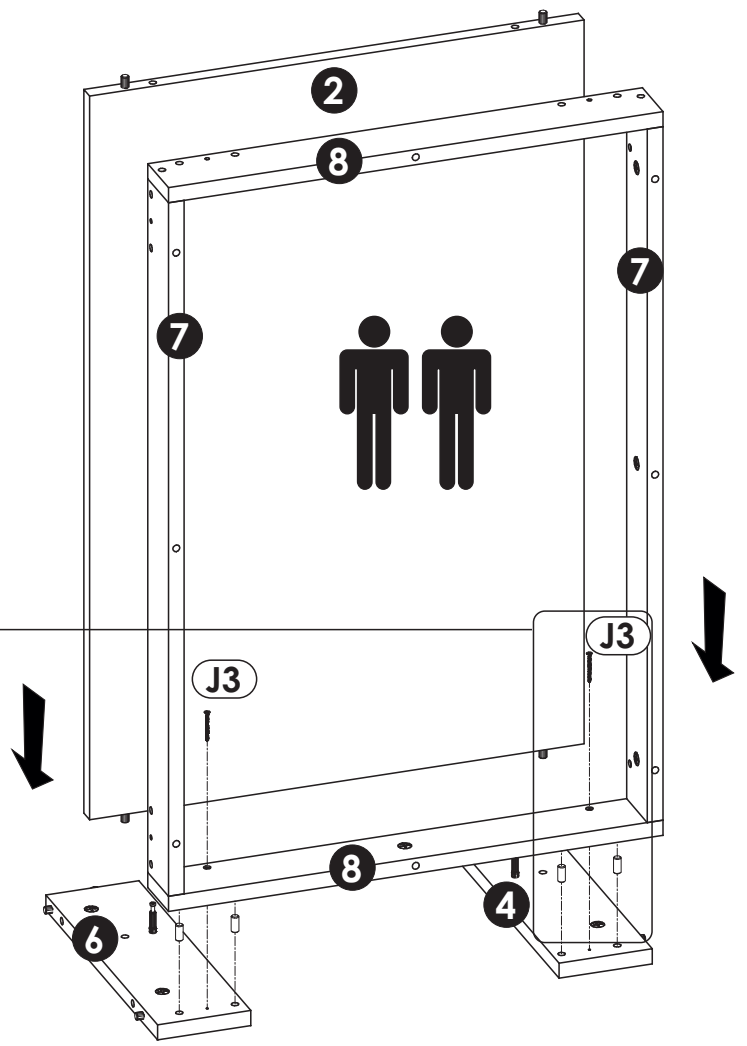
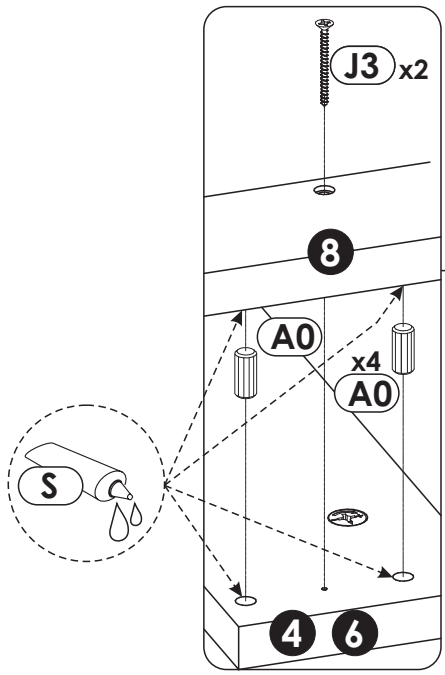
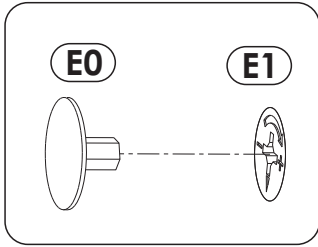
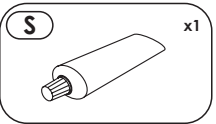
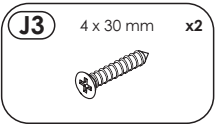
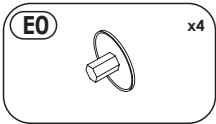
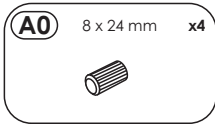
4 ▶



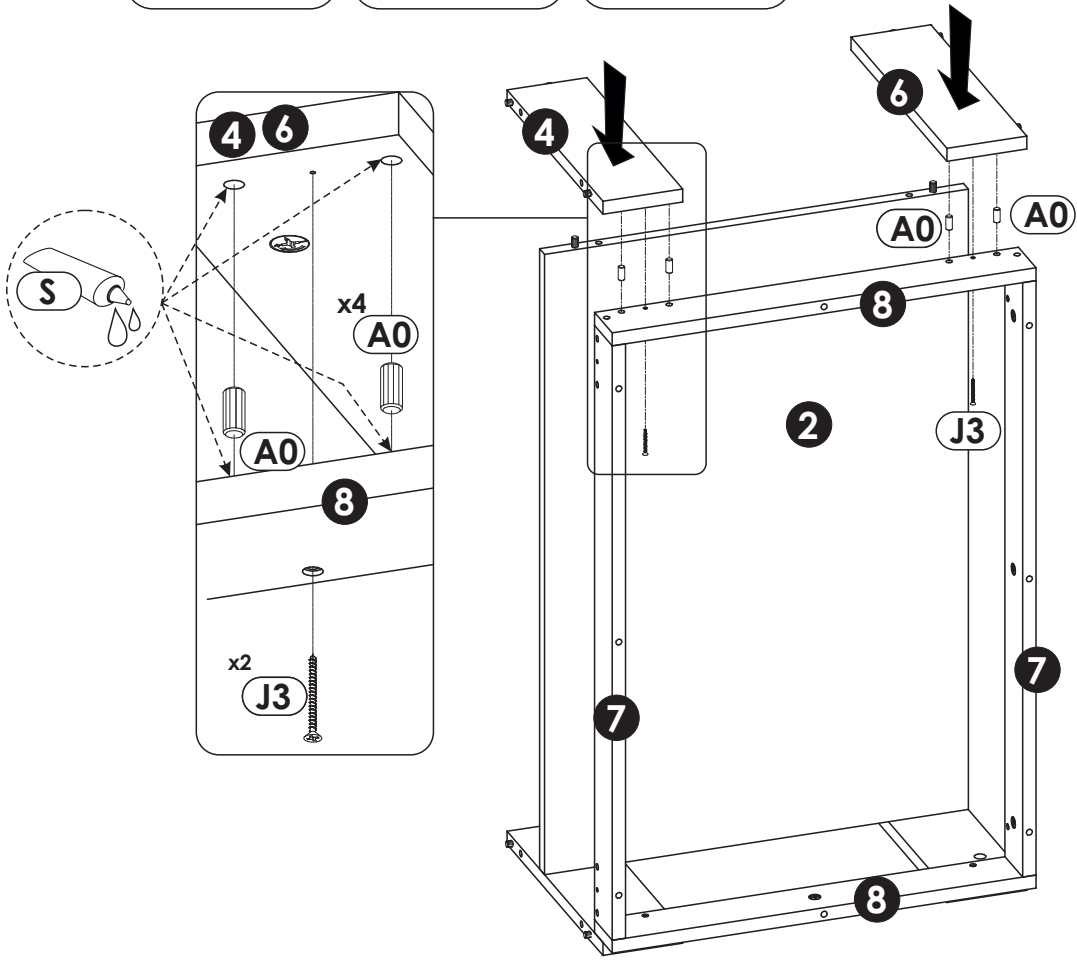
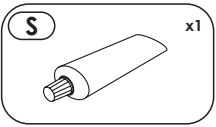
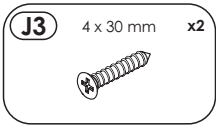
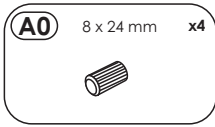
5 ▶



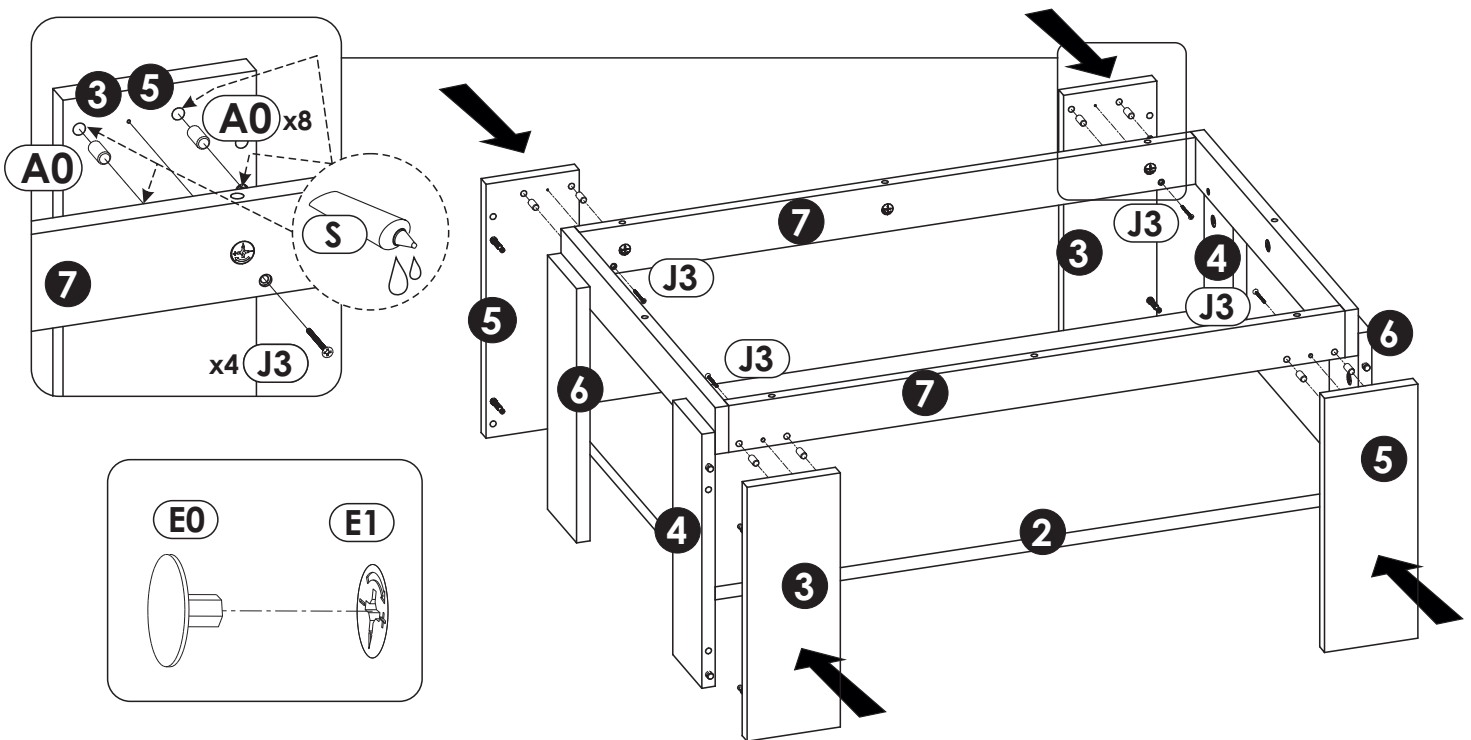
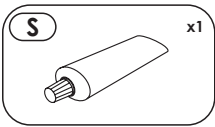
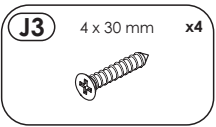
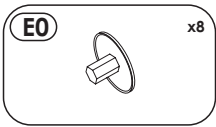
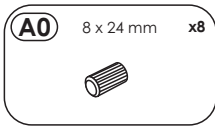
6 ▶



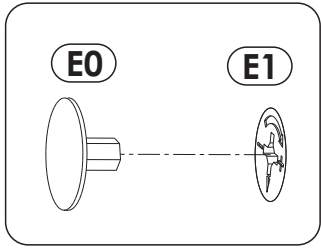
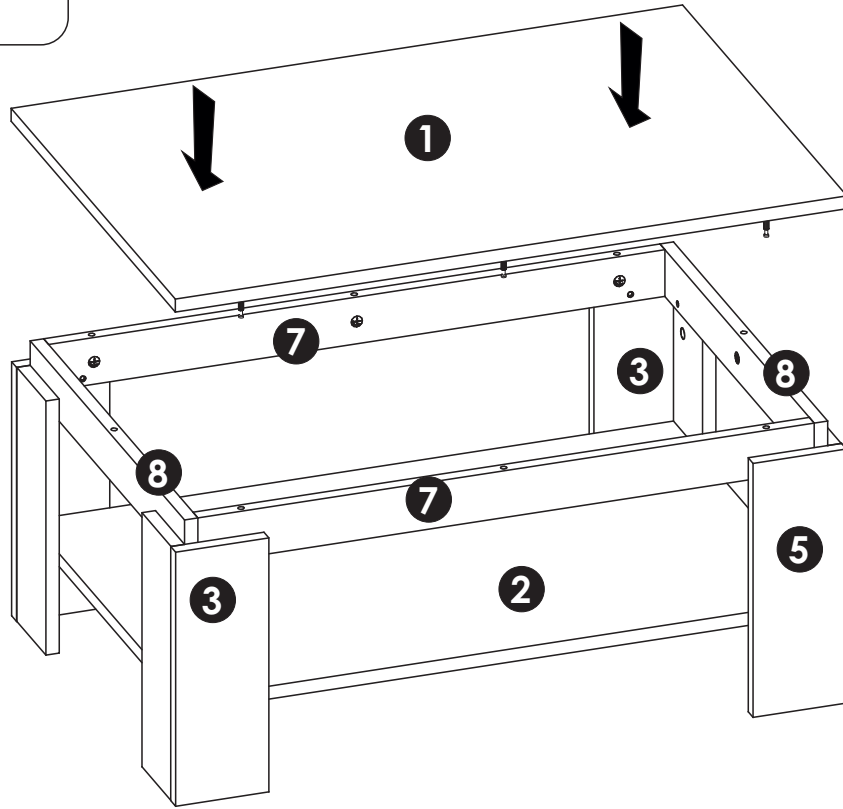
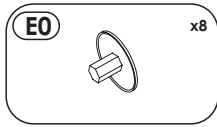
7 ▶



8 ▶



9 ▶



10 ▶

