

## Maik



**D** Montageanleitung

**GB** Assembly instructions

**FR** Notice de montage

**NL** Handleiding voor de montage

**CZ** Montážní návod

**IT** Istruzioni di montaggio

**RO** Instrucțiuni de montaj

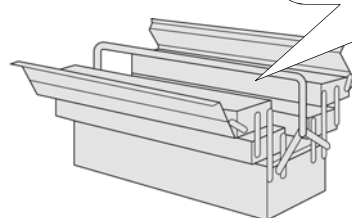
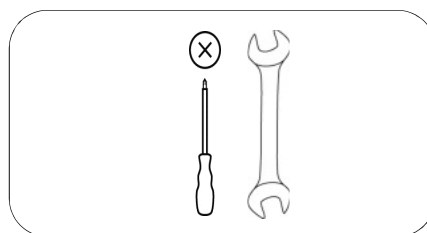
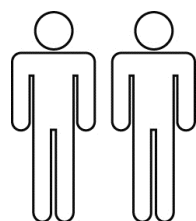
**RU** инструкция по сборке

**PL** Instrukcja montażu

**SK** Návod na montáž

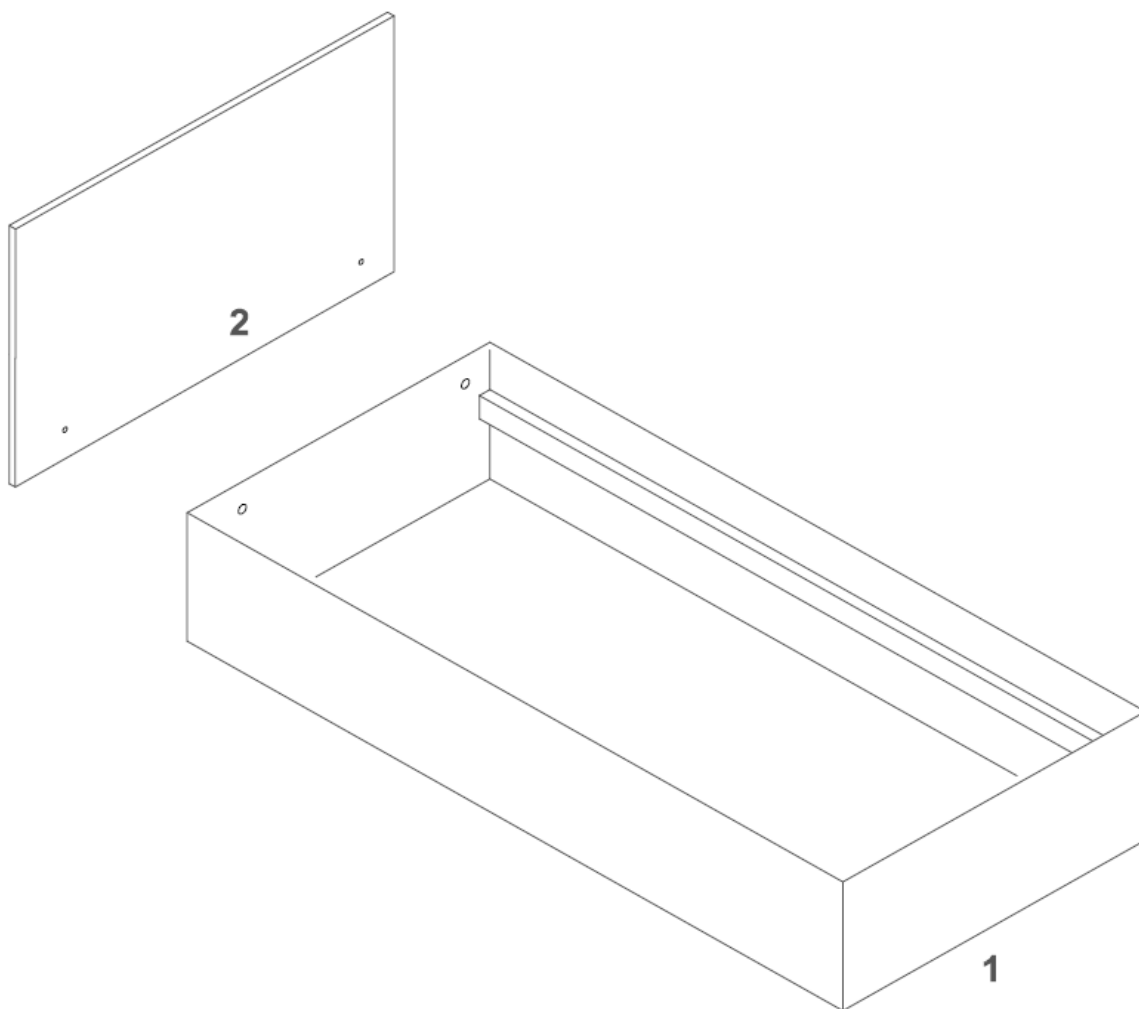
**HU** Szerelési útmutató

**TR** Montaj talimati



0  
10  
20  
30  
40  
50  
60  
70  
80  
90  
100  
110  
120  
130  
140  
150  
160  
170  
180  
190  
200

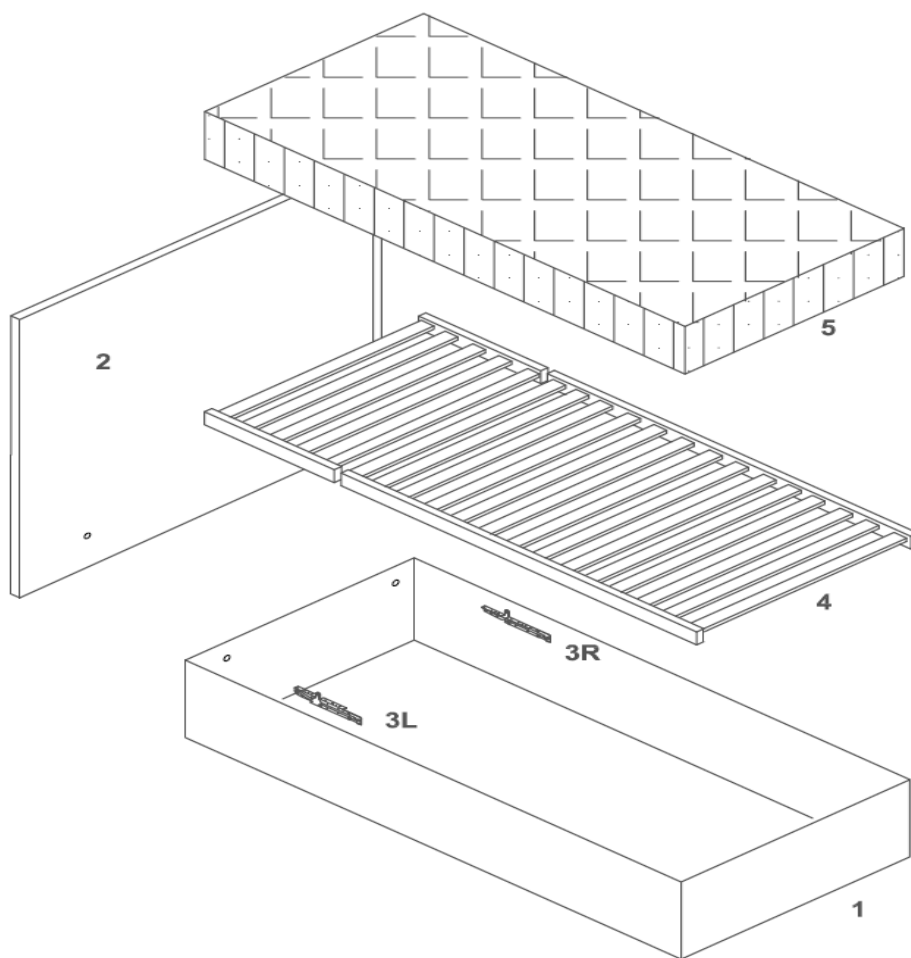
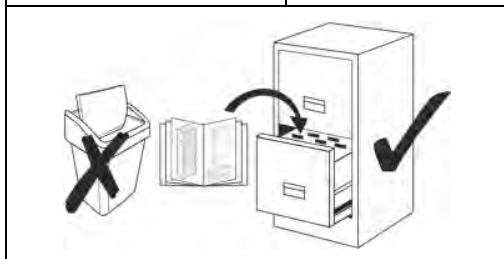
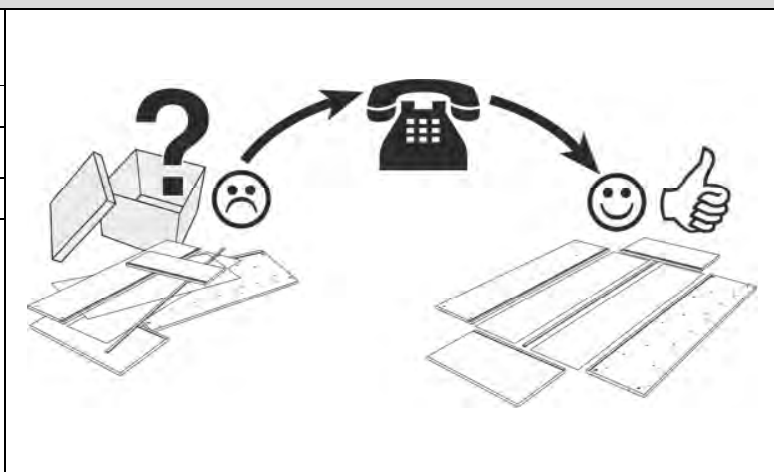
| <b>Service • Assistenza • Dienstverlening • Serwis</b><br><b>Servis • Szerviz • Сервисная служба</b> |                |
|------------------------------------------------------------------------------------------------------|----------------|
| Name • Nom • Nome • Naam<br>Nazwa • Jméno • Názov • Név<br>Denumire • Ísim • Название                | <b>Maik EB</b> |
| Nr. • No. • N° • Номер • Č • Sz                                                                      | <b>SH51</b>    |
| Typ • Type • Tip • Típus • Тіро<br>Тип                                                               | <b>OHNE</b>    |
|                                                                                                      |                |
|                                                                                                      |                |



| A  | B       | C       | D  | E       | F       | G     |
|----|---------|---------|----|---------|---------|-------|
|    |         |         |    |         |         |       |
| 4x | 4x 8x45 | 4x 8x20 | 2x | 2x 8x60 | 2x 8x30 | 2x M8 |

**Service • Assistenza • Dienstverlening • Serwis  
Servis • Szerviz • Сервисная служба**

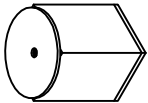
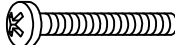

|                                                                                       |                |
|---------------------------------------------------------------------------------------|----------------|
| Name • Nom • Nome • Naam<br>Nazwa • Jméno • Názov • Név<br>Denumire • Ísim • Название | <b>Maik EB</b> |
| Nr. • No. • N° • Номер • Č • Sz                                                       | <b>SH51</b>    |
| Typ • Type • Tip • Típus • Tipo<br>Тип                                                | <b>LARO</b>    |

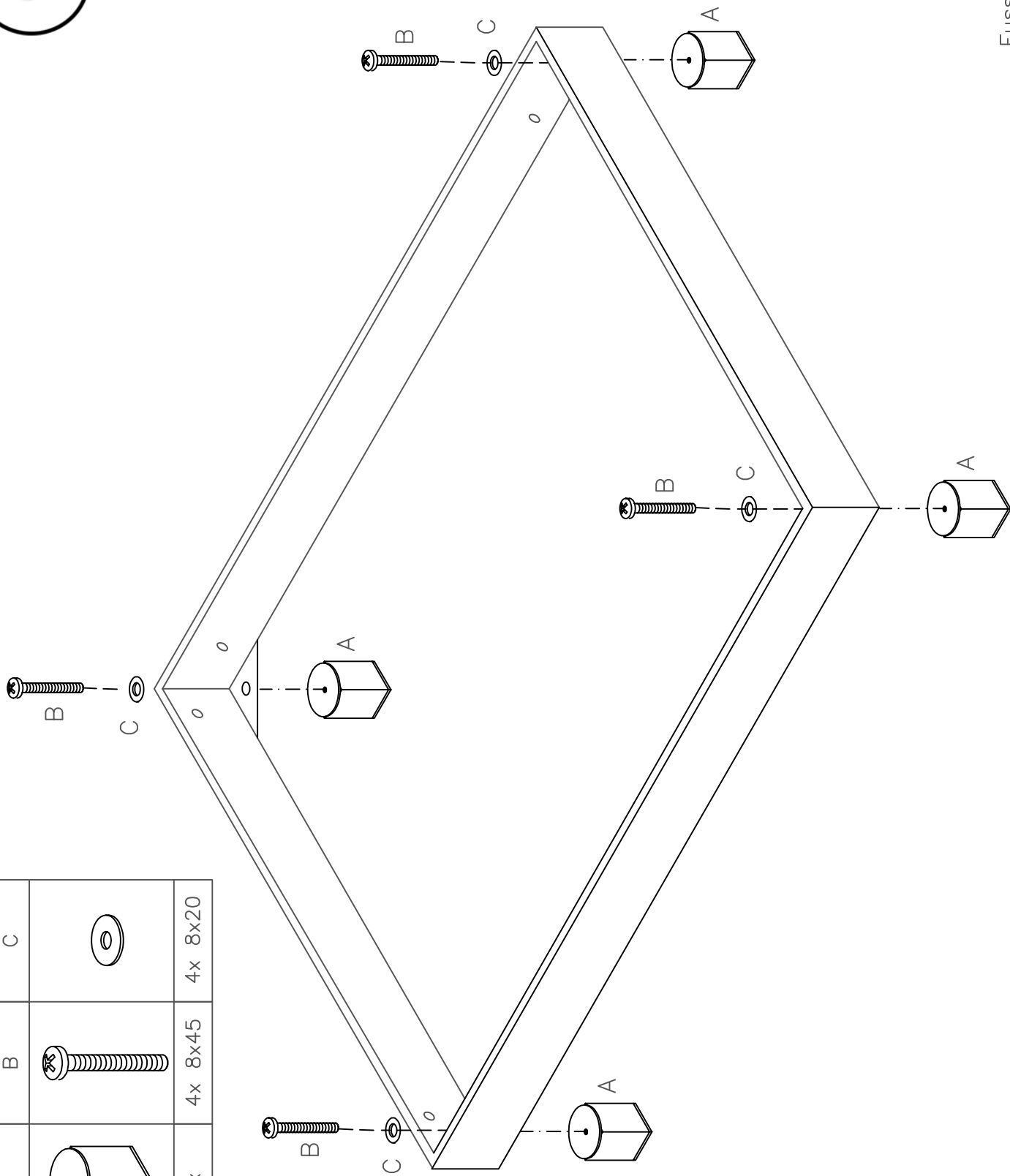


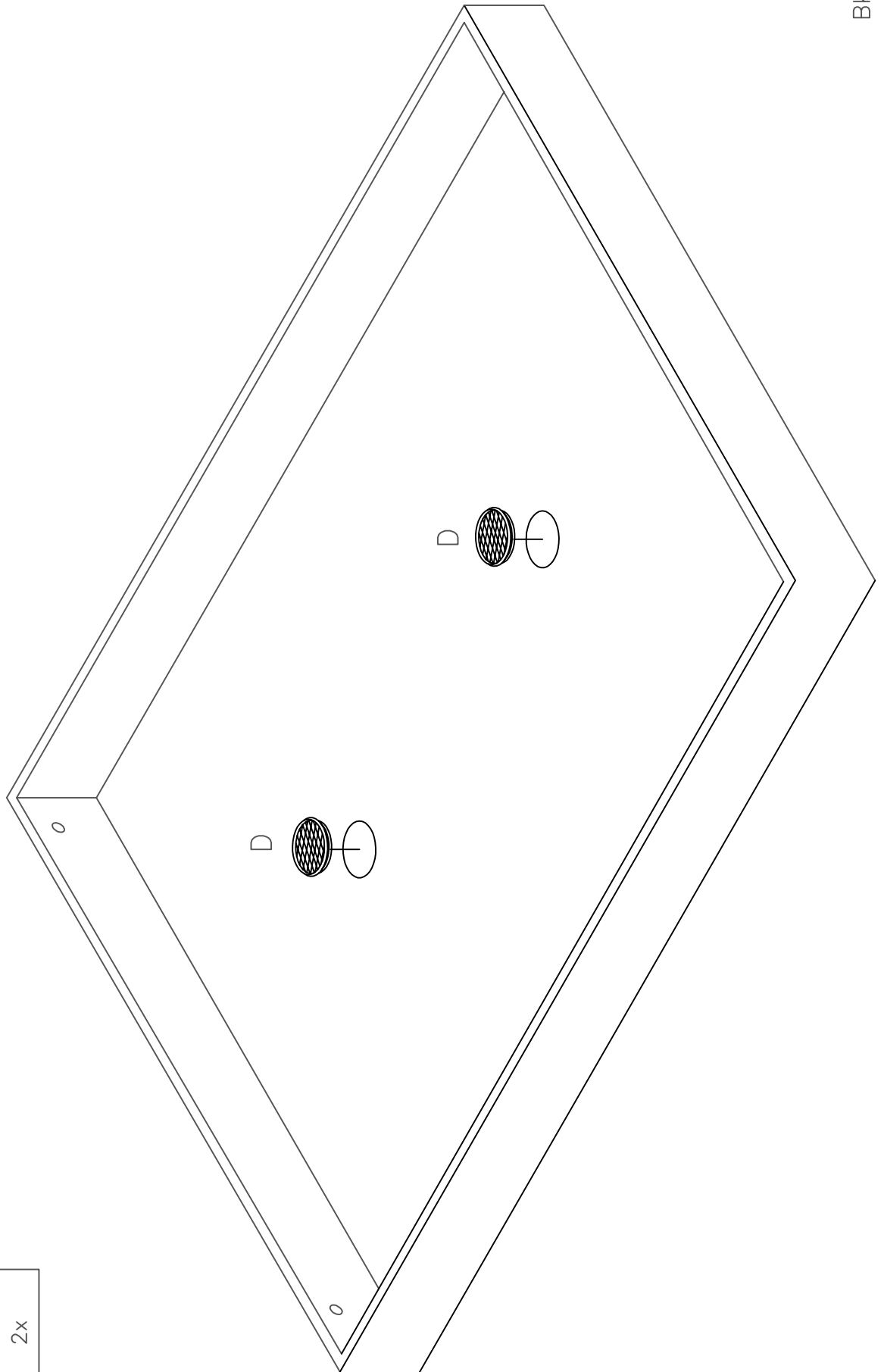
| A  | B       | C       | D  | E       | F       | G     |
|----|---------|---------|----|---------|---------|-------|
|    |         |         |    |         |         |       |
| 4x | 4x 8x45 | 4x 8x20 | 2x | 2x 8x60 | 2x 8x30 | 2x M8 |






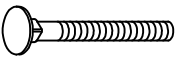


|   |                                                                                     |         |
|---|-------------------------------------------------------------------------------------|---------|
| A |  | 4x      |
| B |  | 4x 8x45 |
| C |  | 4x 8x20 |





|   |                                                                                     |    |
|---|-------------------------------------------------------------------------------------|----|
| D |  | 2x |
|---|-------------------------------------------------------------------------------------|----|



|                                                                                                             |                                                                                                             |                                                                                                           |                                                                                                                                                                                                                                                                                                                                                                                                                                                                                                                       |
|-------------------------------------------------------------------------------------------------------------|-------------------------------------------------------------------------------------------------------------|-----------------------------------------------------------------------------------------------------------|-----------------------------------------------------------------------------------------------------------------------------------------------------------------------------------------------------------------------------------------------------------------------------------------------------------------------------------------------------------------------------------------------------------------------------------------------------------------------------------------------------------------------|
| <p>E</p>  <p>2x 8x60</p> | <p>F</p>  <p>2x 8x30</p> | <p>G</p>  <p>2x M8</p> | <p><b>Achtung!</b> Schrauben nicht überdrehen<br/> <b>FR</b> Attention! Ne serrez pas trop<br/> <b>CZ</b> Dávej Pozor! Nepřetahujte<br/> <b>RO</b> Ai Grija! Nu strângeți<br/> <b>PL</b> Uwaga! Nie dokręcać zbyt mocno<br/> <b>HU</b> Vigyázz! Ne húzza túl</p> <p><b>GB</b> Watch Out! Do not over tighten<br/> <b>NL</b> Let Op! Niet te vast<br/> <b>IT</b> Attento! Non stringere<br/> <b>RU</b> Осторожно! Не затягивайте<br/> <b>SK</b> Dávaj Pozor! Nepretahujte<br/> <b>TR</b> Dikkat! Üzerinde sıkmayın</p> |
|-------------------------------------------------------------------------------------------------------------|-------------------------------------------------------------------------------------------------------------|-----------------------------------------------------------------------------------------------------------|-----------------------------------------------------------------------------------------------------------------------------------------------------------------------------------------------------------------------------------------------------------------------------------------------------------------------------------------------------------------------------------------------------------------------------------------------------------------------------------------------------------------------|

