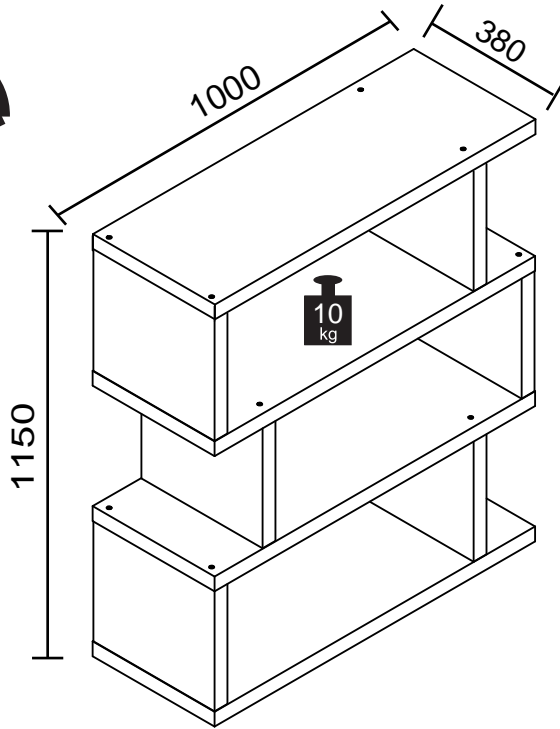
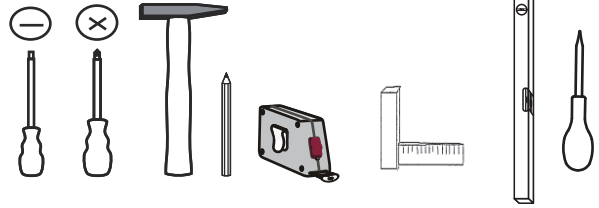
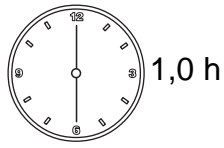
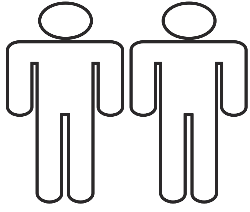
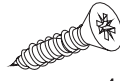
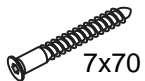


BC 3105 REGAL 2

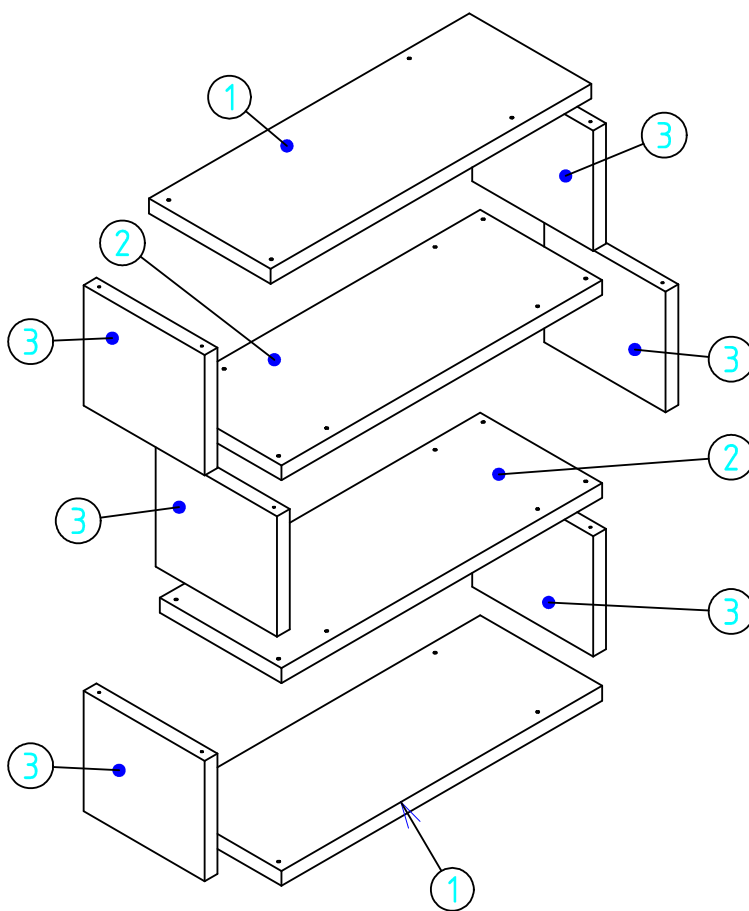
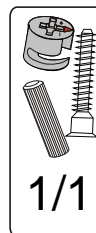
35-734-...-9



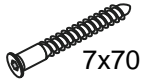



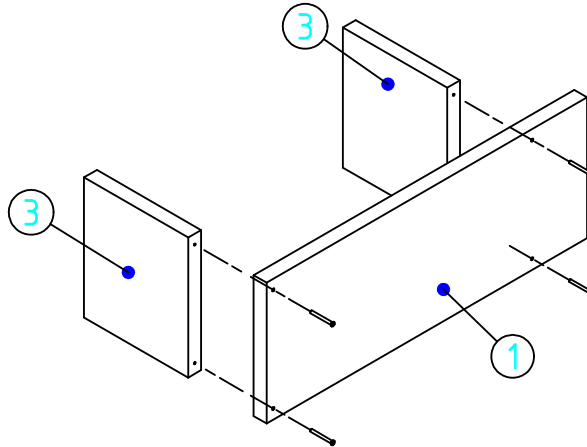
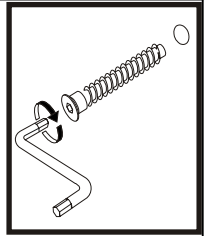
K	4	G	24	ZKD	12	B	1	H	4	F	1
---	---	---	----	-----	----	---	---	---	---	---	---

NR	L	W	T	COUNT	COLI
1	1000	380	40	2	1/1
2	1000	380	40	2	1/1
3	325	378	40	6	1/1






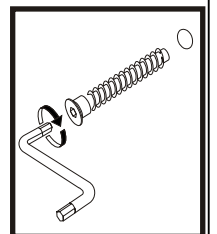
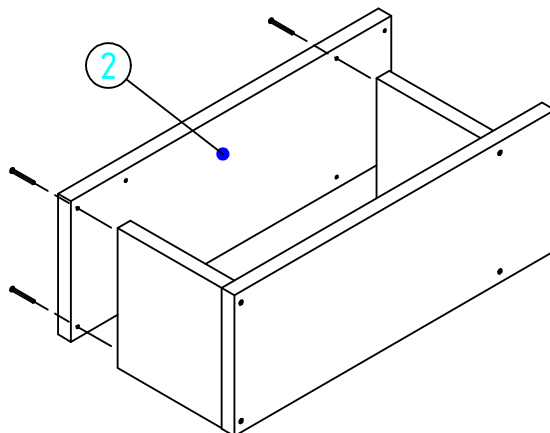
1

 7x70	
G 4	F 1

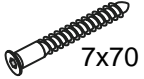



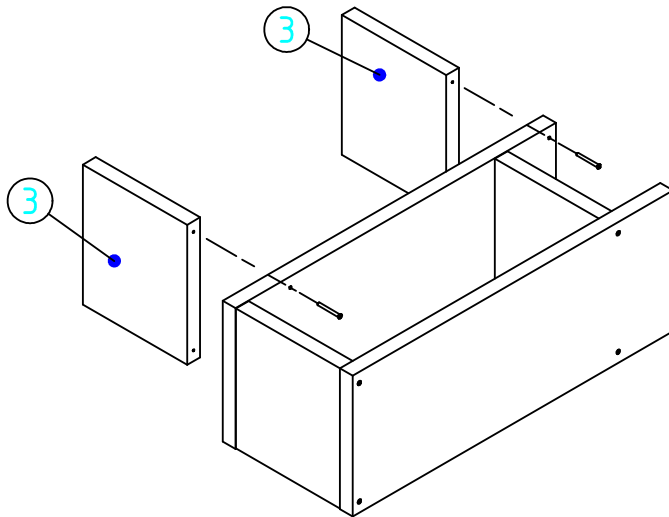
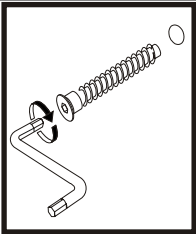
2

 7x70		
G 4	F 1	ZKD 4



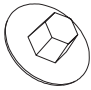


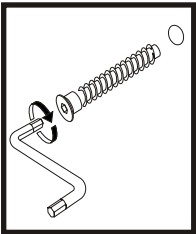
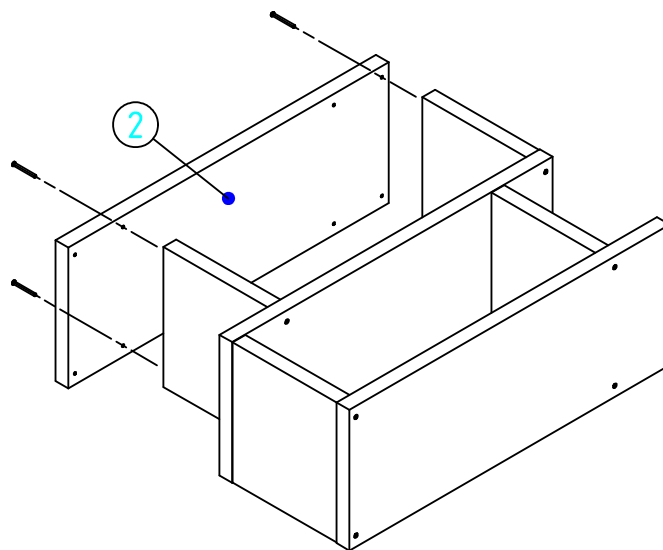
3

 7x70	
G 4	F 1





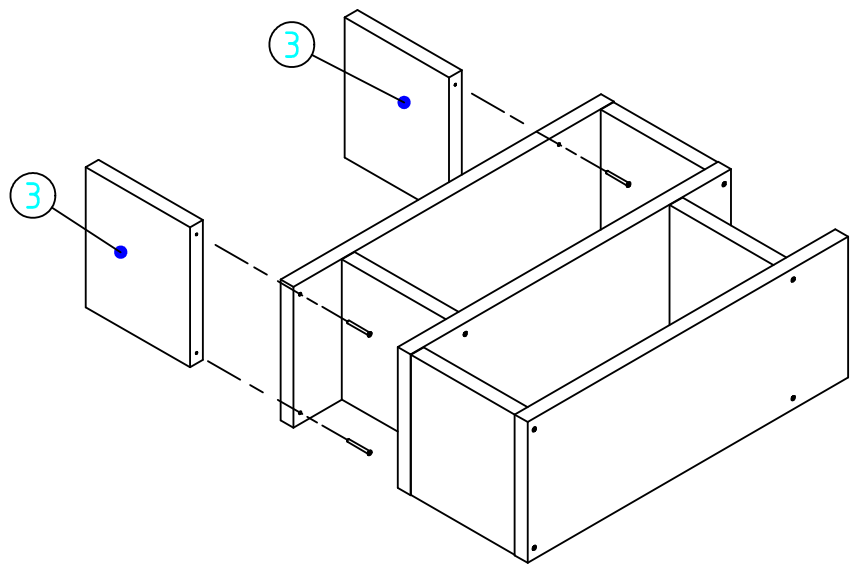
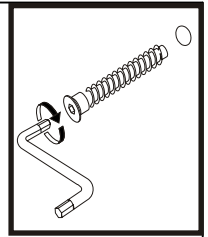
4

 7x70		
G 4	F 1	ZKD 4



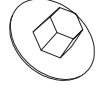


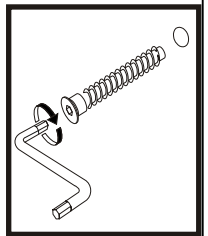
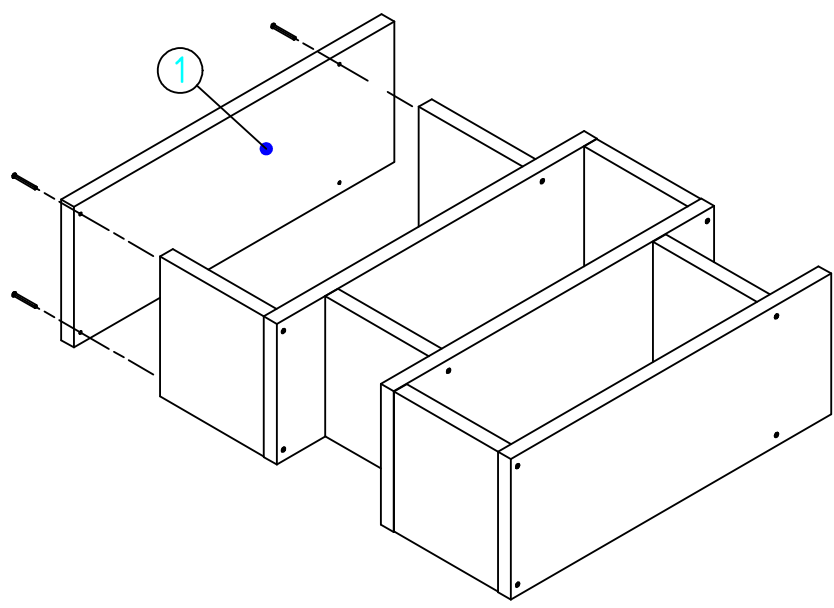
5

 7x70	
G 4	F 1

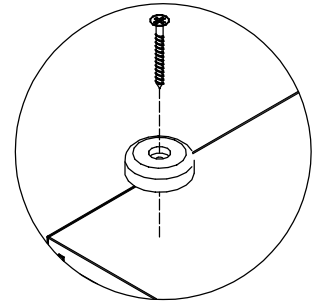
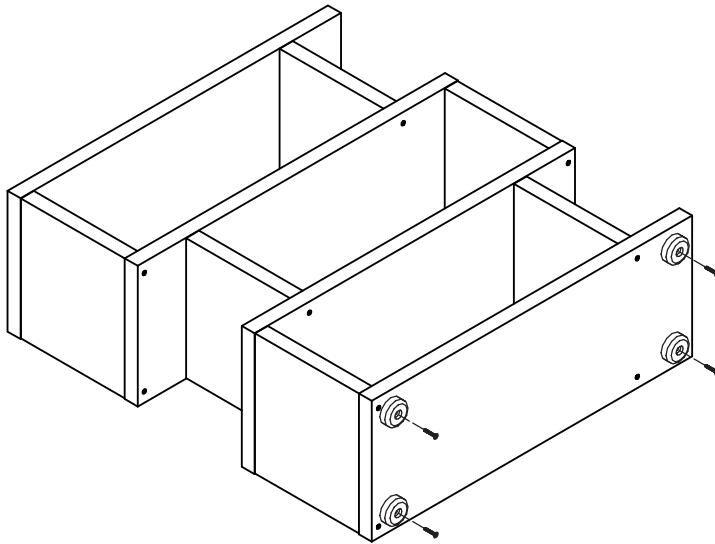
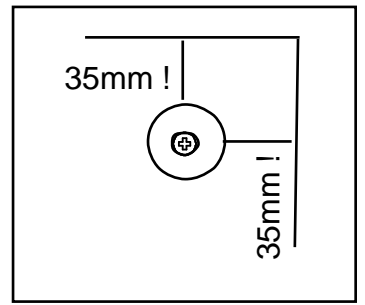
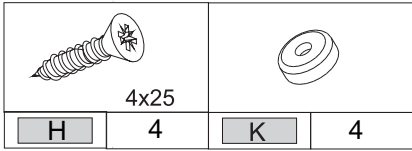


6

 7x70		
G 4	F 1	ZKD 4



7



8

