



D Montageanleitung

F Notice de montage

NL Handleiding voor de montage

CZ Monzázní návod

HU Szerelési útmutató

TR Montaj talimatı

GB Assembly instructions

I Istruzione di montaggio

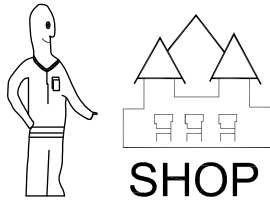
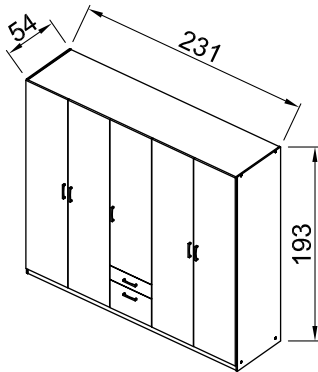
PL Instrukcja montaży

SK Návod na montáž

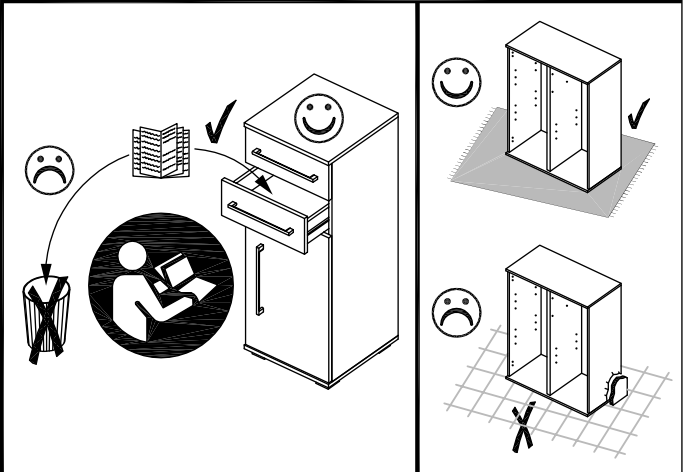
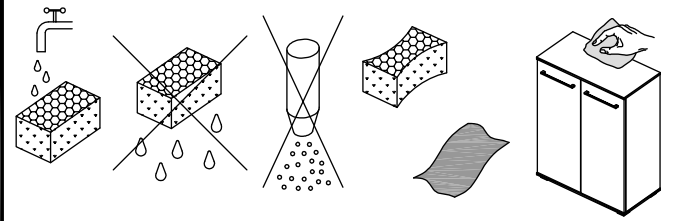
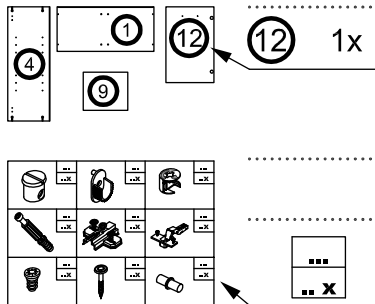
RO Instrucțiuni de montaj

RU ИНСТРУКЦИЯ ПО МОНТАЖУ

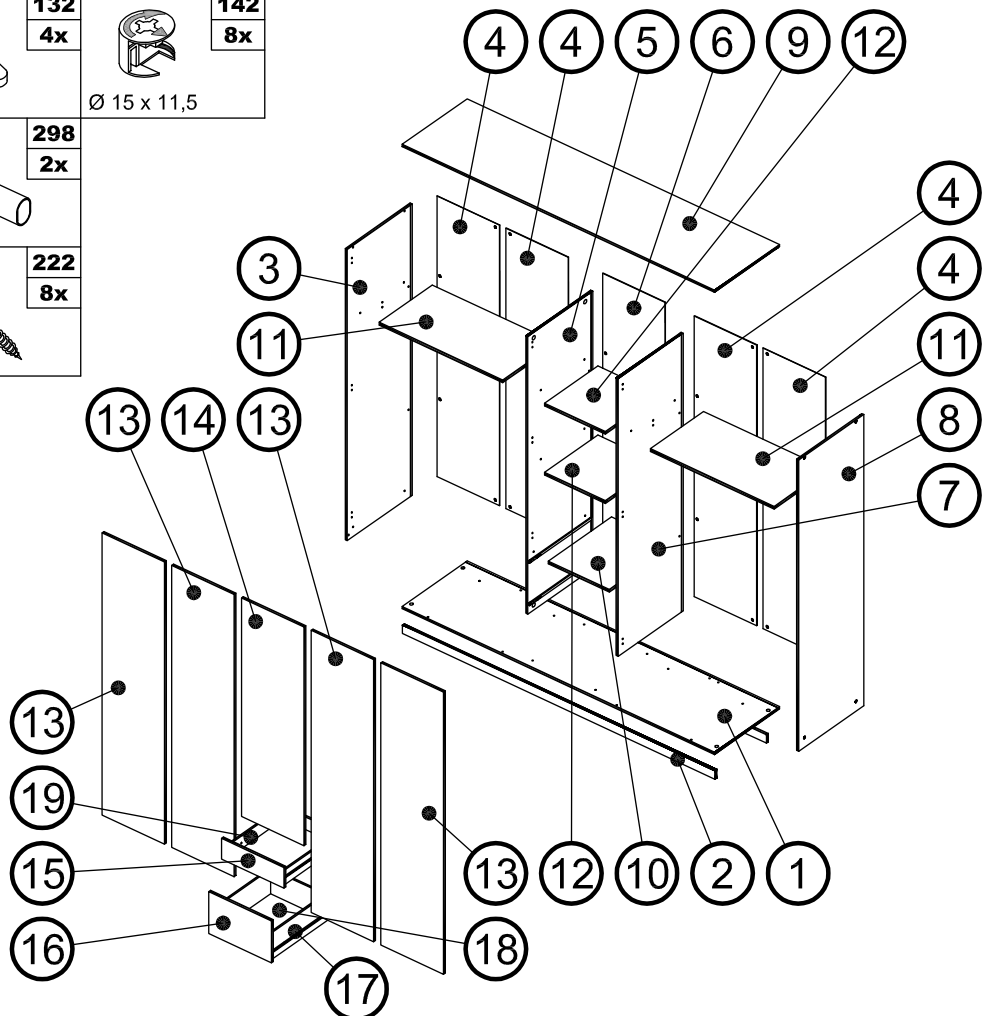
Art. Nr. 3526



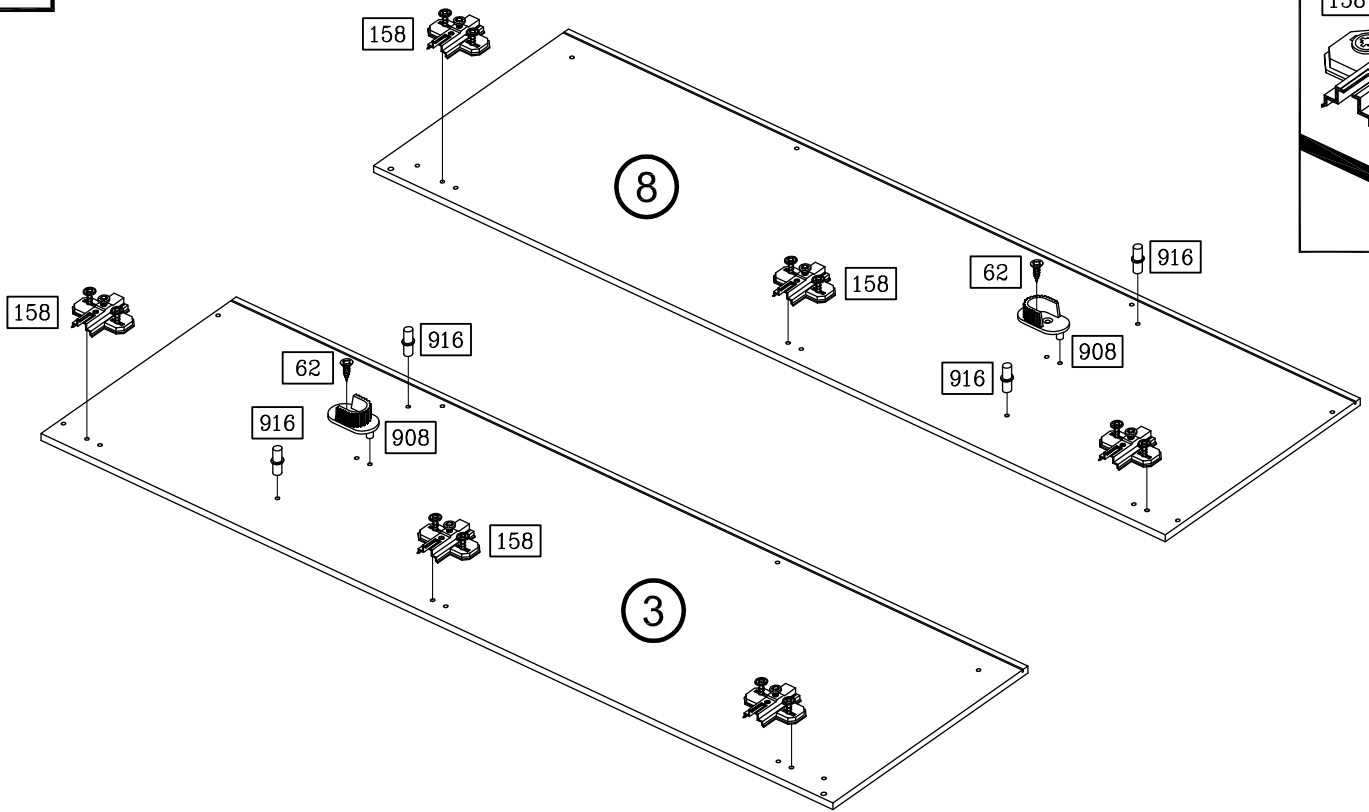
Art. Nr. 3526



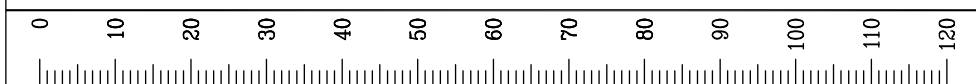
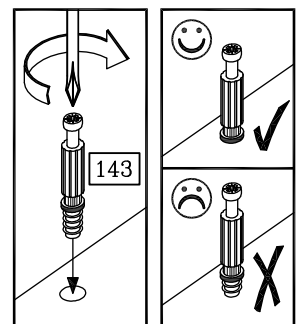
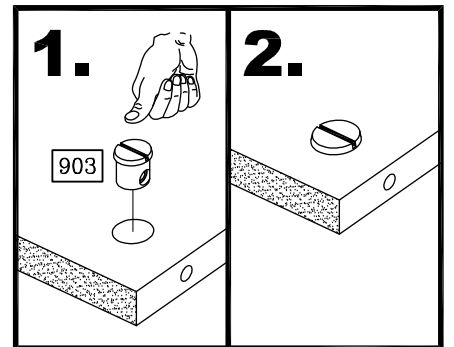
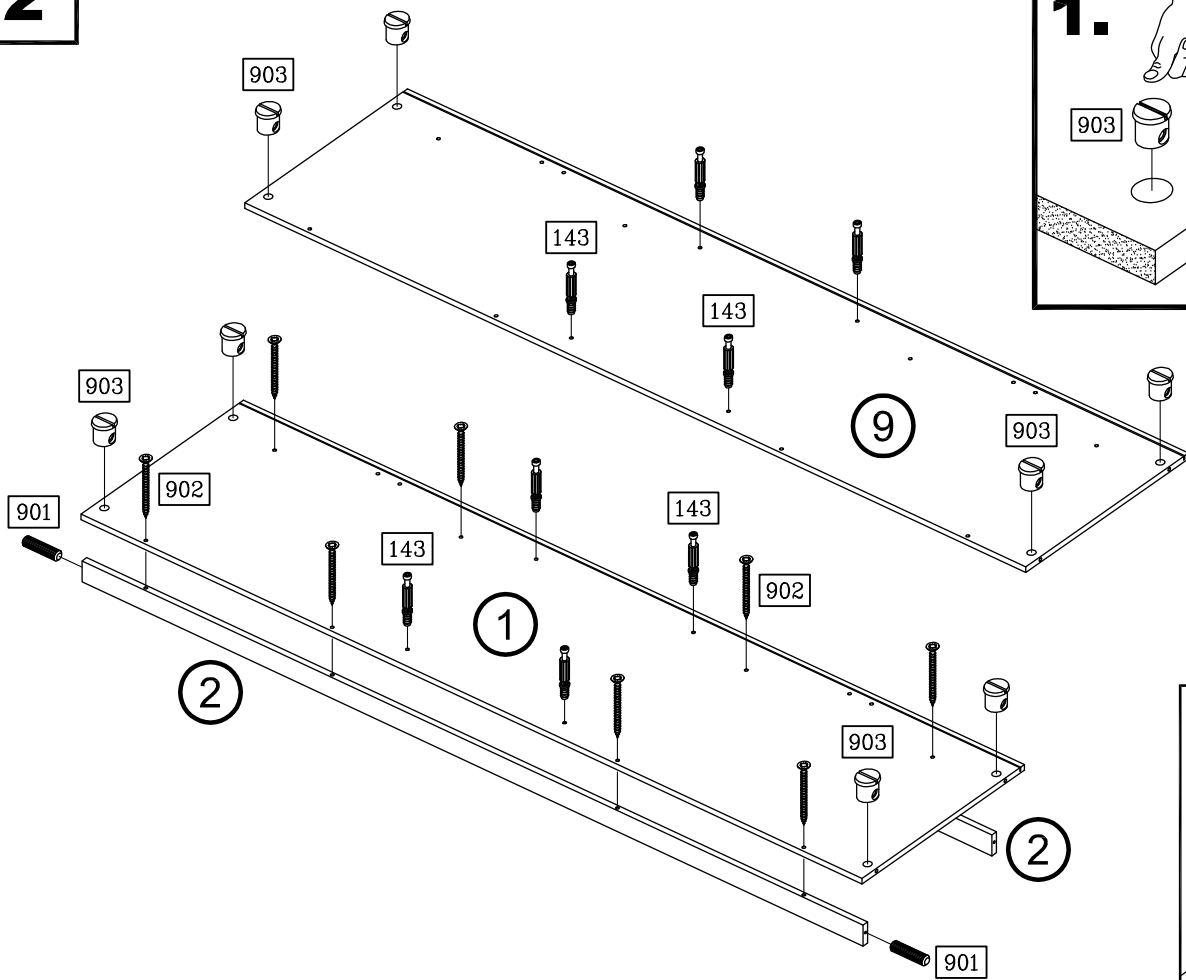
| | | | | | | | |
|----------|-------------------|------------|-------------------|----------|------------------|--|------------------|
| | 62 4x | | 70 4x | | 132 4x | | 142 8x |
| 3,5 x 13 | | M4 x 9 | | | 298 2x | | 298 2x |
| | 143 8x | | 297 2x | | 298 2x | | |
| 6 x 44 | | 1834 mm | | 895 mm | | | |
| | 155 15x | | 158 15x | | 222 8x | | |
| | | | | 4,5 x 55 | | | |
| | 901 2x | | 902 8x | | | | |
| Ø 6 x 25 | | 3,5 x 40 | | | | | |
| | 903 8x | | 905 8x | | | | |
| | | Ø 12 / 2,5 | | | | | |
| | 908 4x | | 916 16x | | | | |
| | | | | | | | |
| | 921 20x | | 927 20x | | | | |
| | | 6,3 x 11 | | | | | |
| | 940 1x | | 990 7x | | | | |
| 15 g | | | | | | | |



1

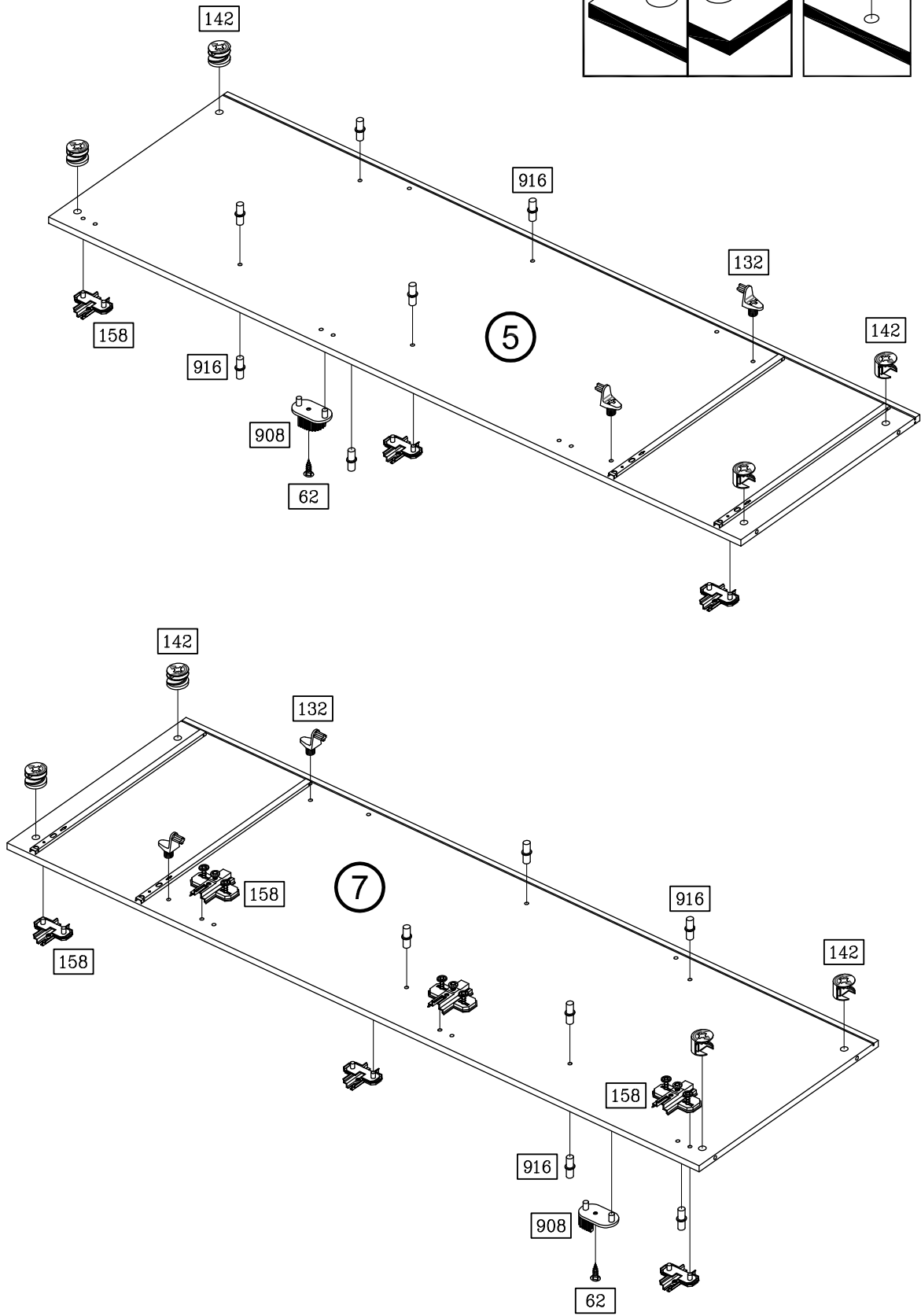
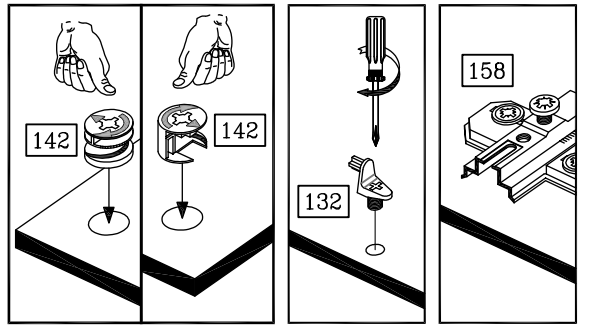


2

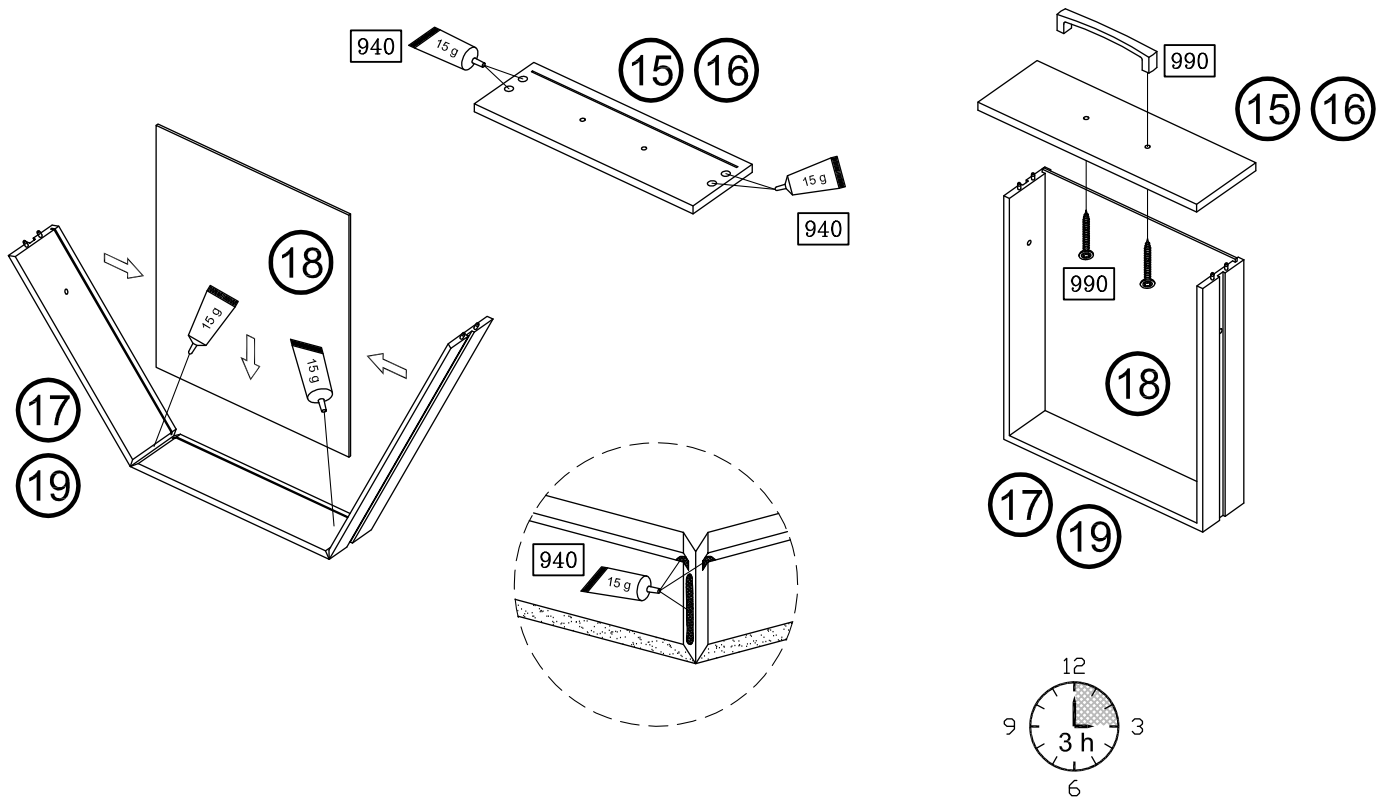


3526-1

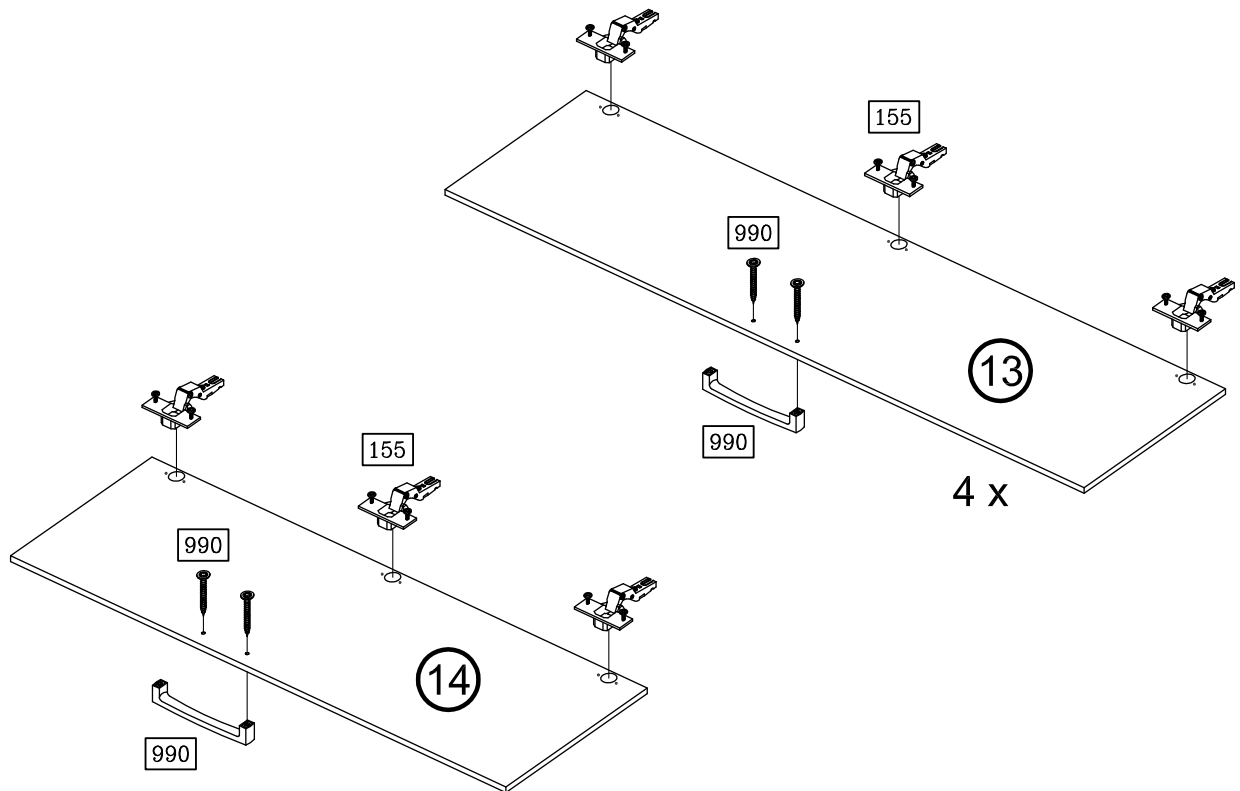
2/8



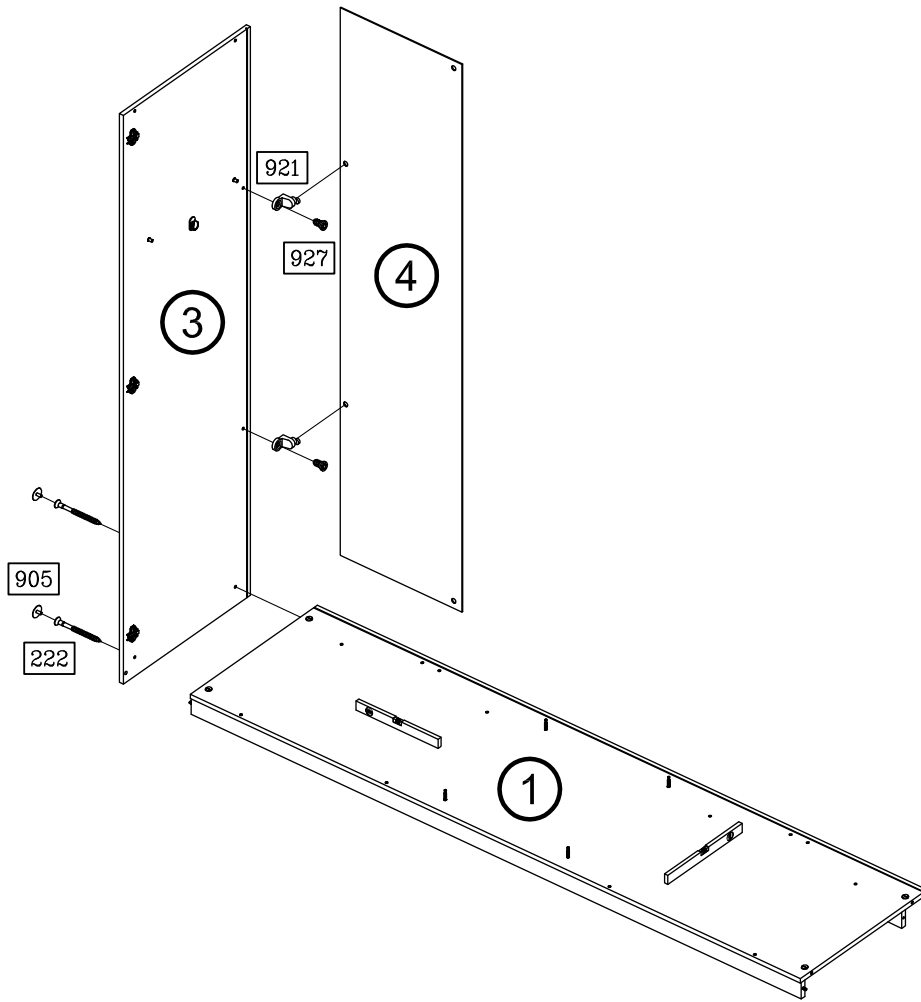
4



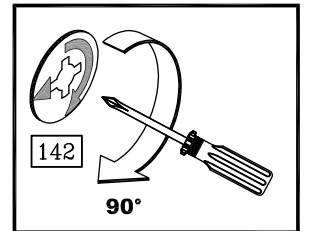
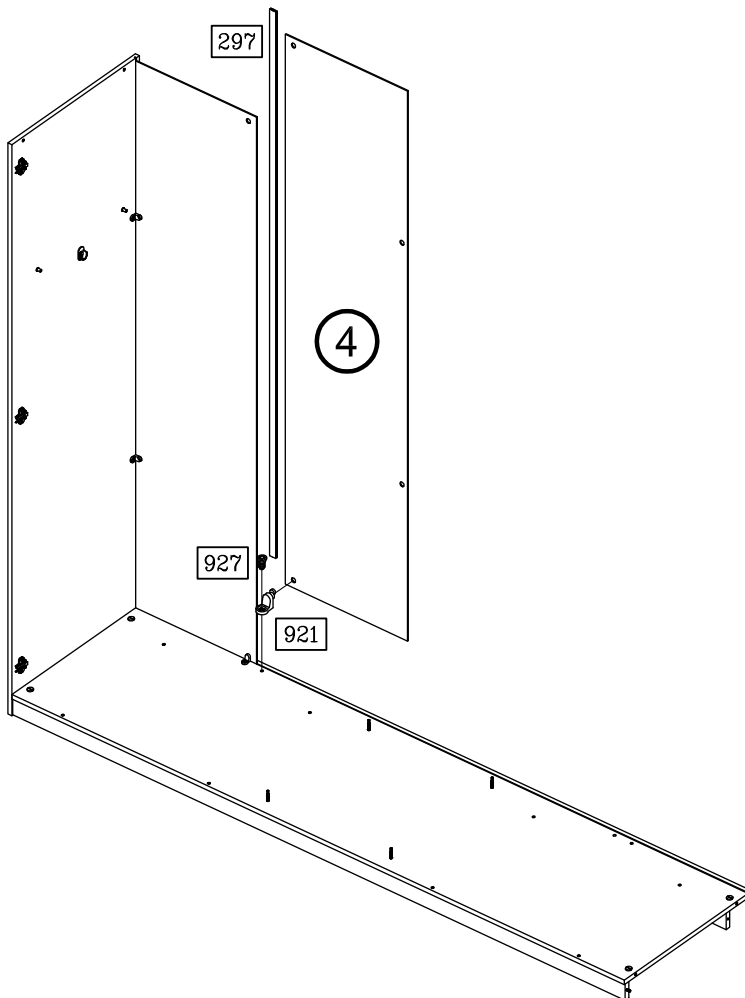
5



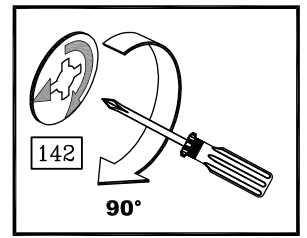
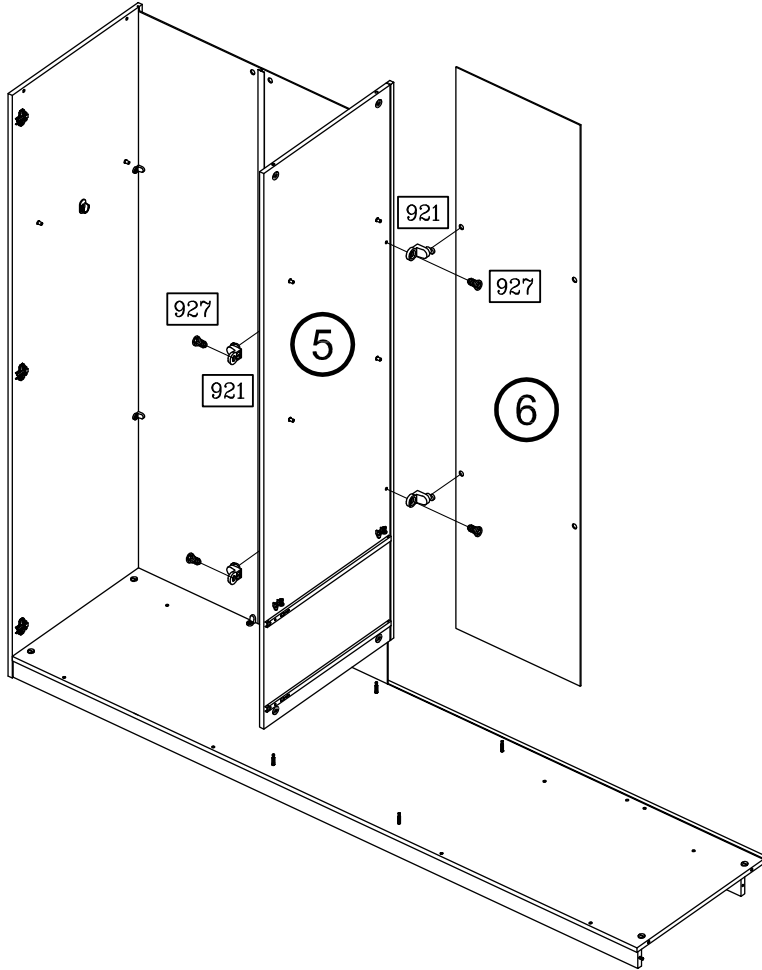
6



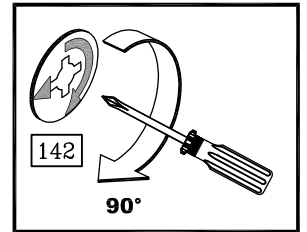
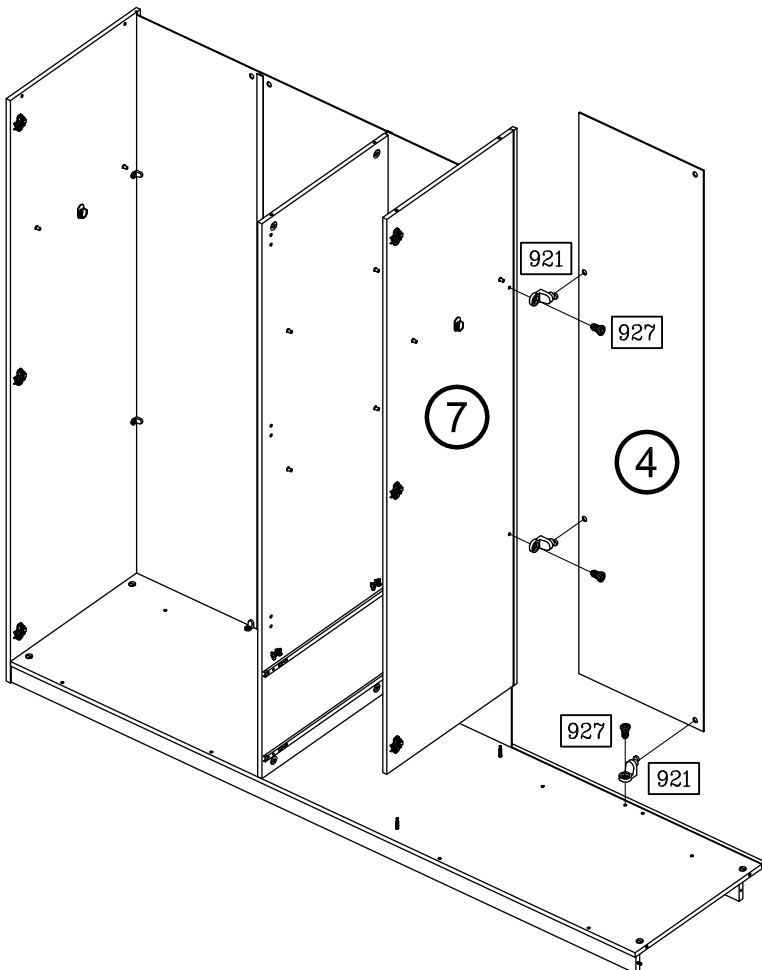
7



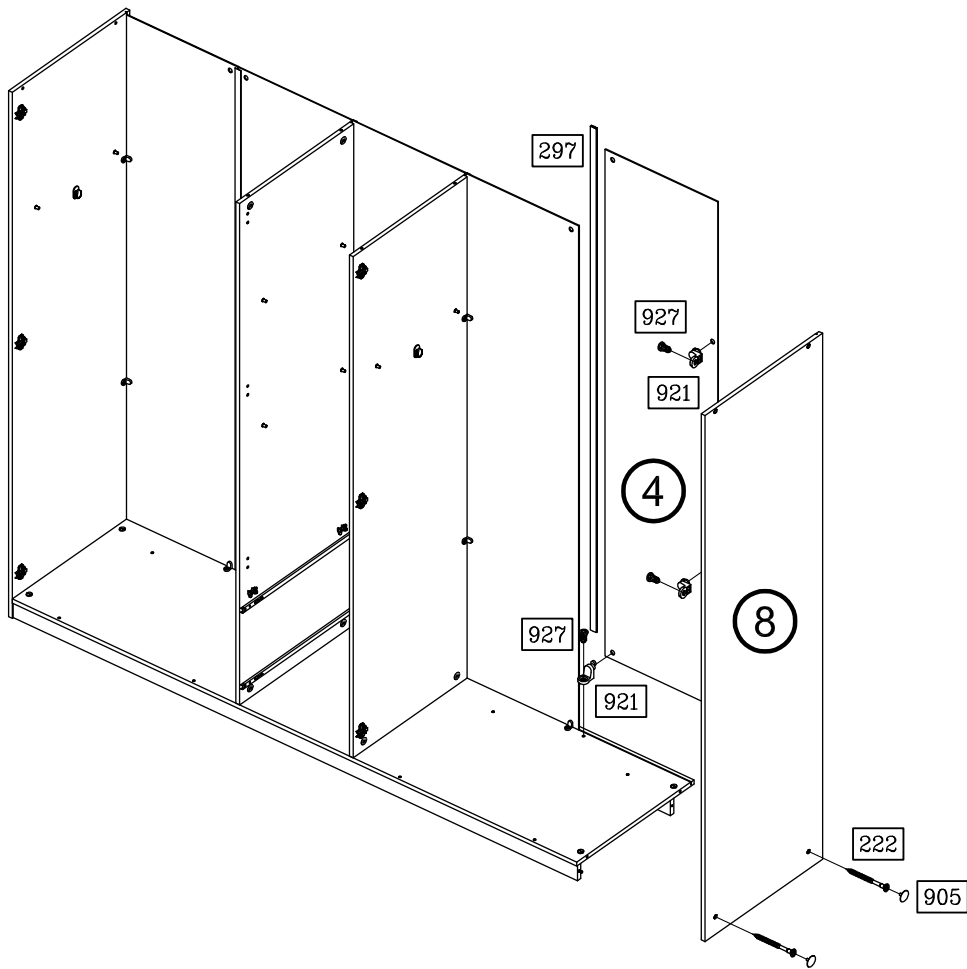
8



9



10



11

