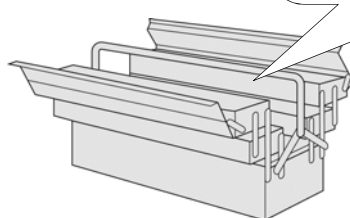
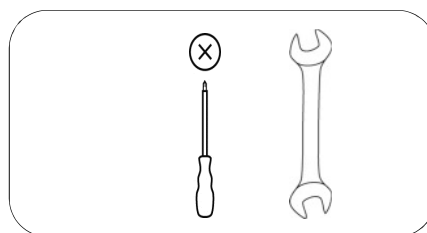
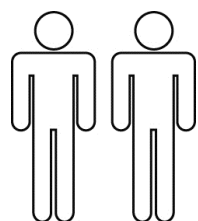
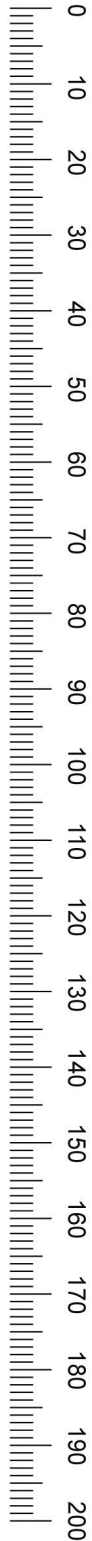


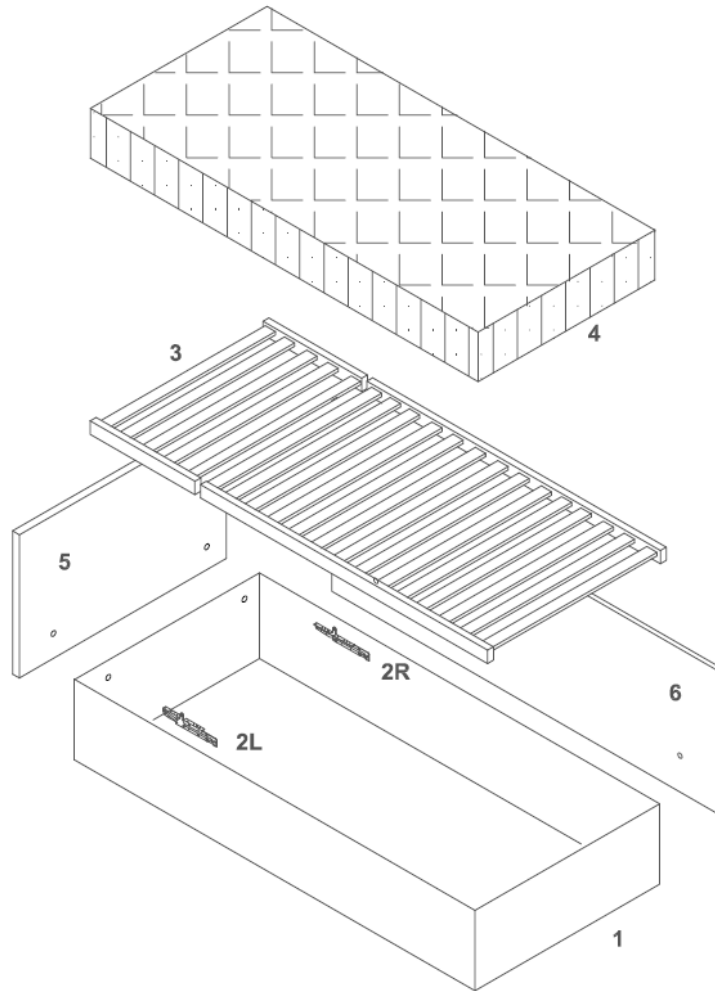


- | | |
|----------------------------------|---------------------------------------|
| D Montageanleitung | GB Assembly instructions |
| FR Notice de montage | NL Handleiding voor de montage |
| CZ Montážní návod | IT Istruzioni di montaggio |
| RO Instrucțiuni de montaj | RU инструкция по сборке |
| PL Instrukcja montażu | SK Návod na montáž |
| HU Szerelési útmutató | TR Montaj talimati |

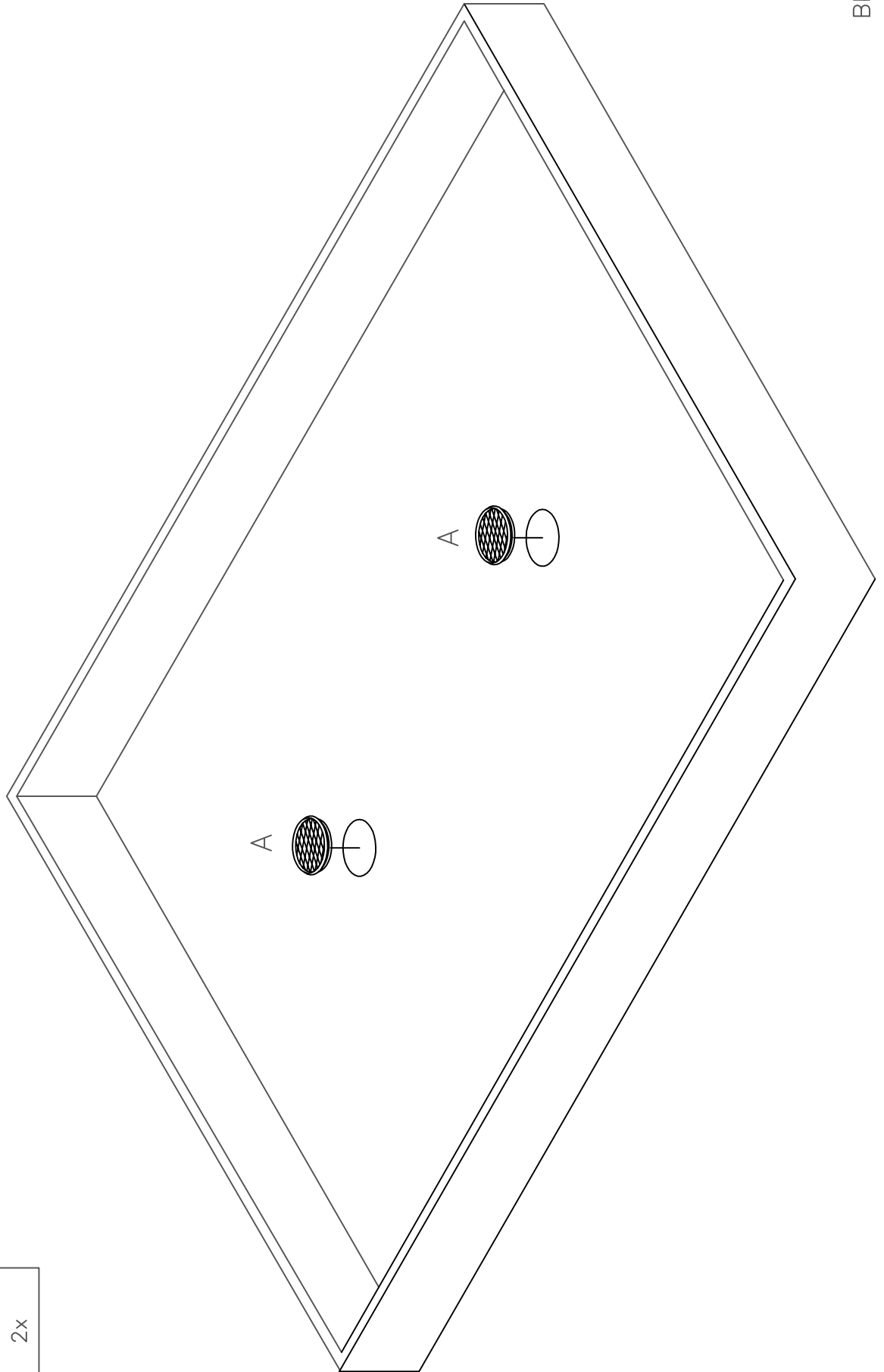





Service • Assistenza • Dienstverlening • Serwis Servis • Szerviz • Сервисная служба	
Name • Nom • Nome • Naam Nazwa • Jméno • Názov • Név Denumire • Ísim • Название	Amadora SL
Nr. • No. • N° • Номер • Č • Sz	SH52
Typ • Type • Tip • Típus • Tipo Тип	LARO

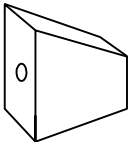




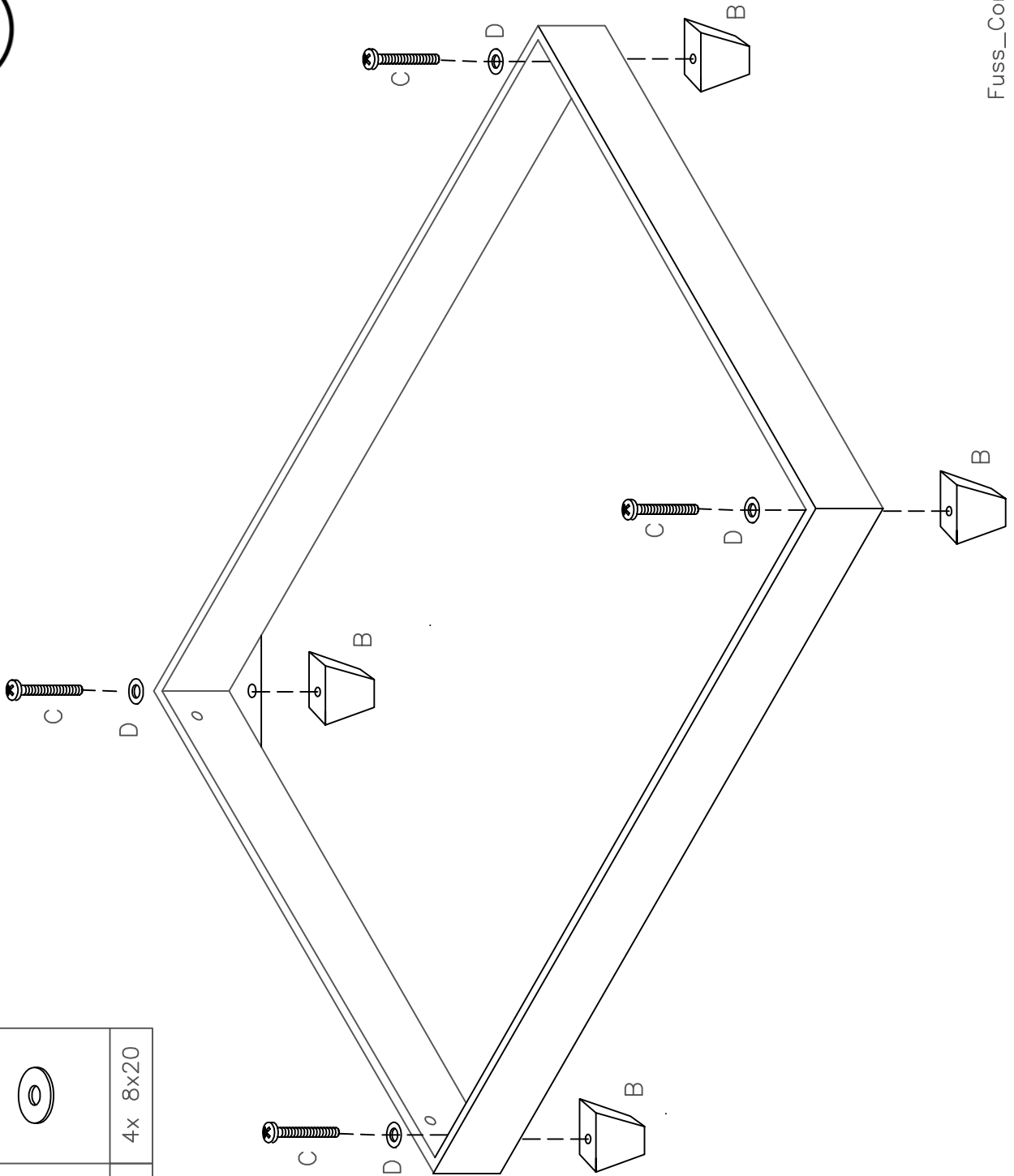
A	B	C	D	E	F	G	H
2x	4x	4x 8x45	4x 8x20	2x 8x70	4x 8x30	4x M8	2x 8x60



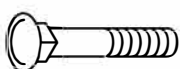


A		2x
---	-------------------------------------------------------------------------------------	----

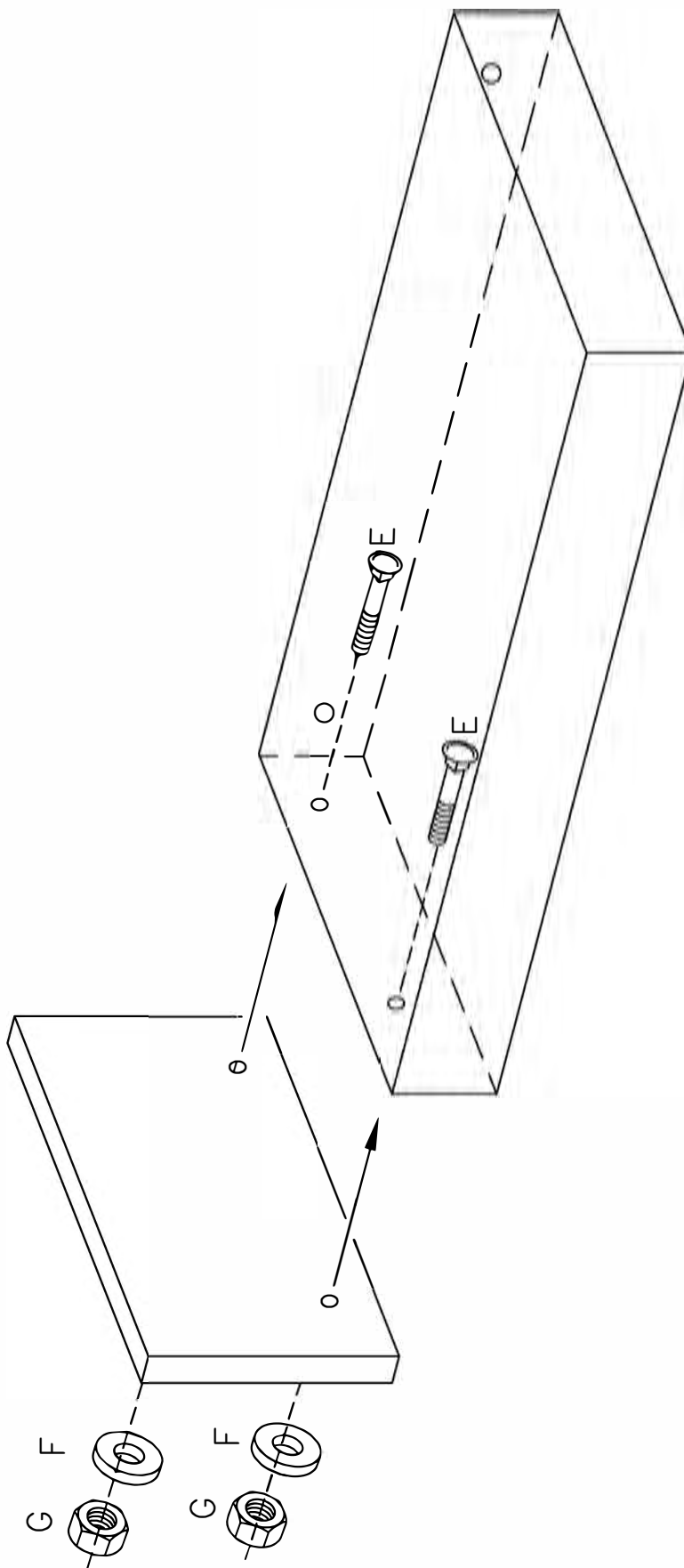


B	C	D
		
4x	4x 8x45	4x 8x20

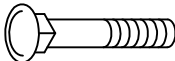




3.

<p>E</p>  <p>2x 8x70</p>	<p>F</p>  <p>2x 8x30</p>	<p>G</p>  <p>2x M8</p>	<p>Achtung! Schrauben nicht überdrehen FR Attention! Ne serrez pas trop CZ Dávej Pozor! Nepřetahujte RO Ai Grija! Nu strângeți PL Uwaga! Nie dokręcać zbyt mocno HU Vigyázz! Ne húzza túl</p>	<p>GB Watch Out! Do not over tighten NL Let Op! Niet te vast IT Attenzione! Non stringere RU Осторожно! Не затягивайте SK Dávaj Pozor! Nepreťahujte TR Dikkat! Üzerinde sıkmayın</p>
-------------------------------------------------------------------------------------------------------------	-------------------------------------------------------------------------------------------------------------	-----------------------------------------------------------------------------------------------------------	---------------------------------------------------------------------------------------------------------------------------------------------------------------------------------------------------------------------------------------------------------------------------------------------------------------	-----------------------------------------------------------------------------------------------------------------------------------------------------------------------------------------------------------------------------------------------------------------------------------------------





<p>H</p>  <p>2x 8x50</p>	<p>F</p>  <p>2x 8x30</p>	<p>G</p>  <p>2x M8</p>	<p>Achtung! Schrauben nicht überdrehen</p> <p>FR Attention! Ne serrez pas trop</p> <p>CZ Dávej Pozor! Nepřetahujte</p> <p>RO Ai Grija! Nu strângeți</p> <p>PL Uwaga! Nie dokręcać zbyt mocno</p> <p>HU Vigyázz! Ne húzza túl</p>	<p>GB Watch Out! Do not over tighten</p> <p>NL Let Op! Niet te vast</p> <p>IT Attento! Non stringere</p> <p>RU Осторожно! Не затягивайте</p> <p>SK Dávaj Pozor! Nepretahujte</p> <p>TR Dikkat! Üzerinde sıkmayın</p>
-------------------------------------------------------------------------------------------------------------	-------------------------------------------------------------------------------------------------------------	-----------------------------------------------------------------------------------------------------------	----------------------------------------------------------------------------------------------------------------------------------------------------------------------------------------------------------------------------------	----------------------------------------------------------------------------------------------------------------------------------------------------------------------------------------------------------------------

