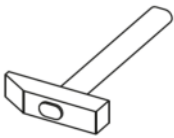
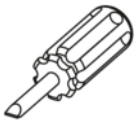
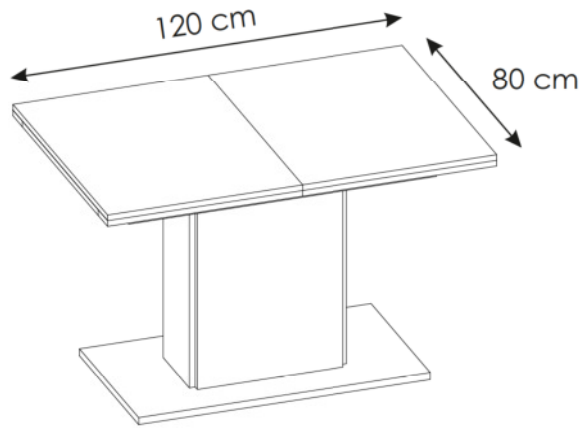
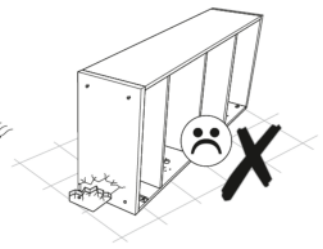
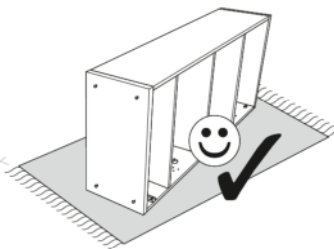
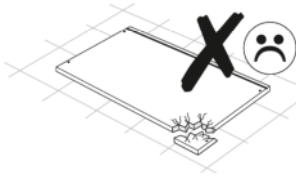
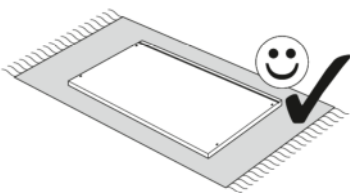
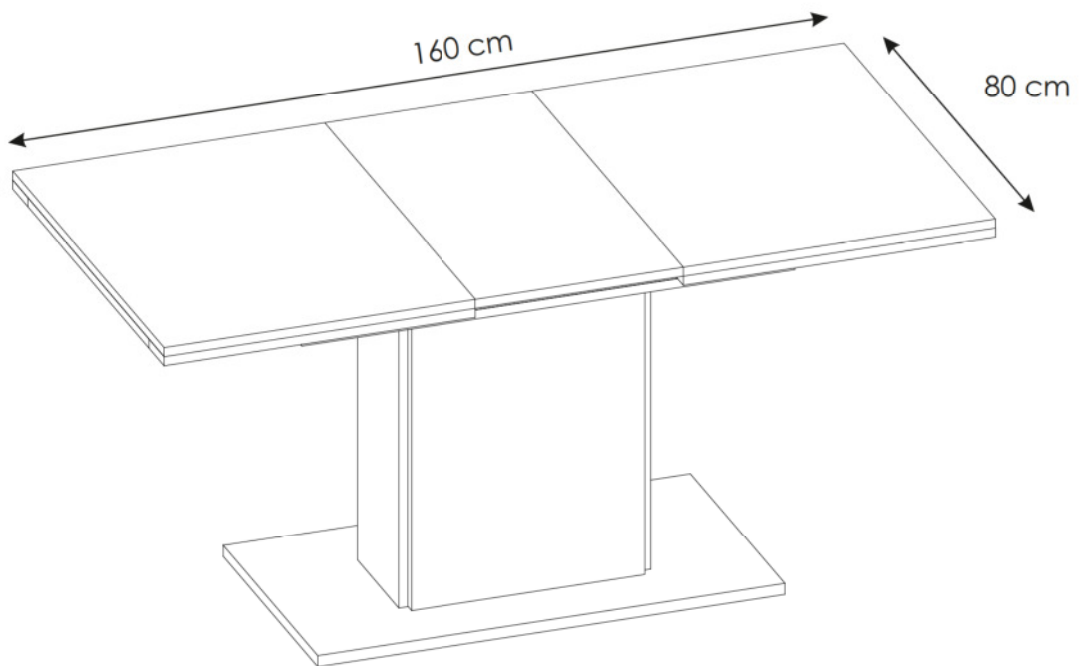


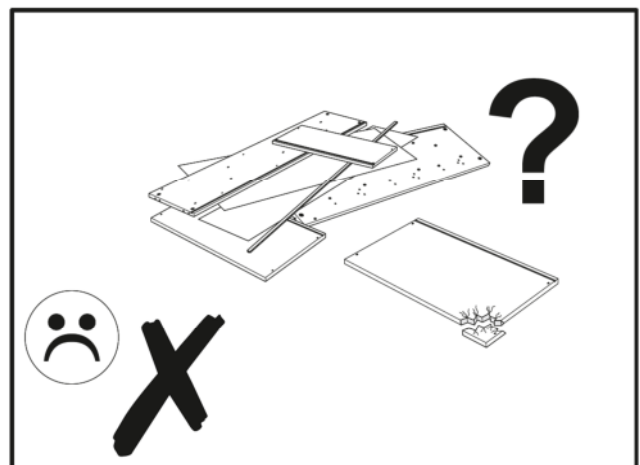
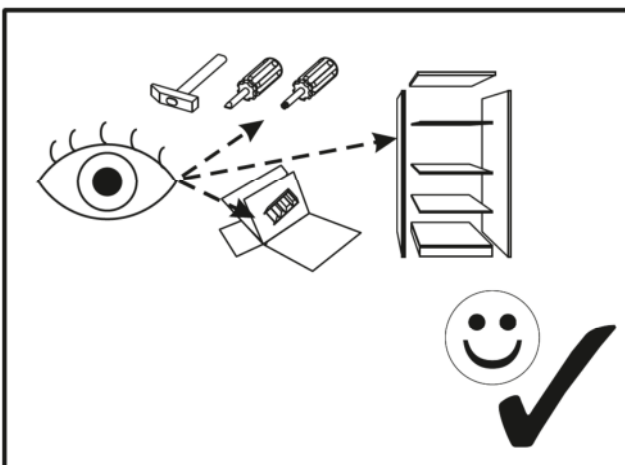
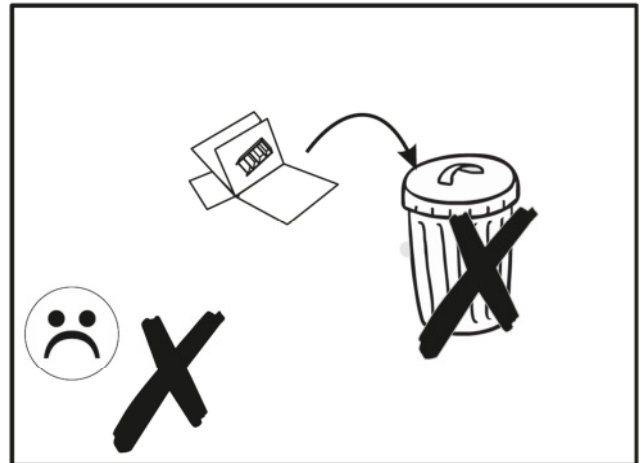
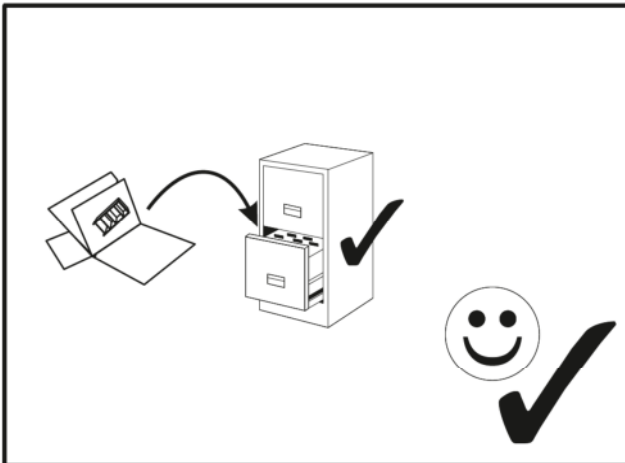
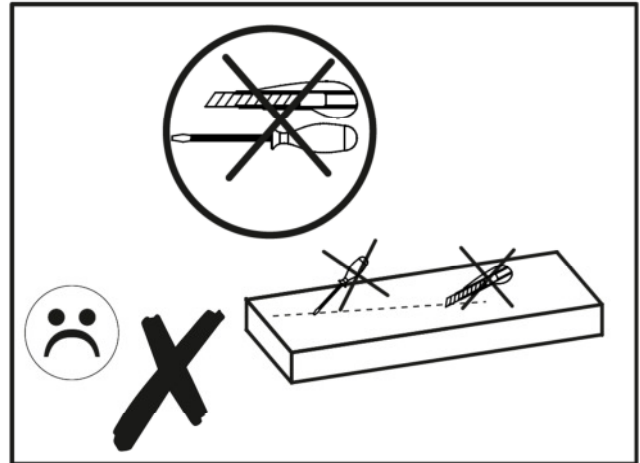
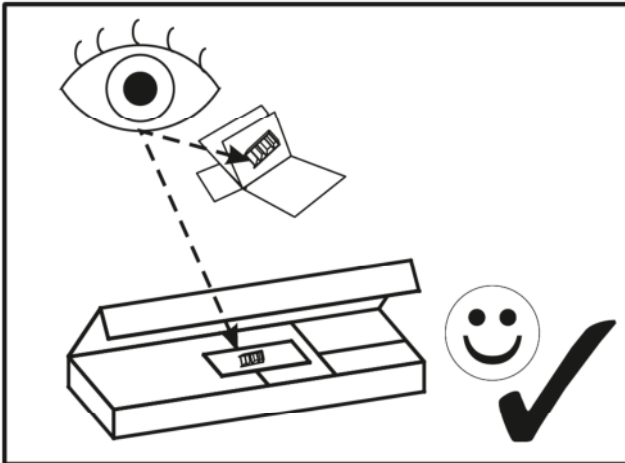
# ALICE

HELA Tische Möbel Vertriebs GmbH  
Scheidkamp 14  
D - 32584 Löhne

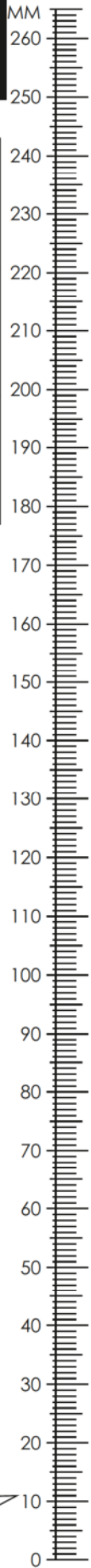






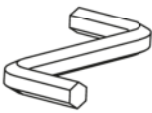


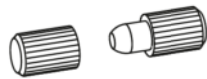

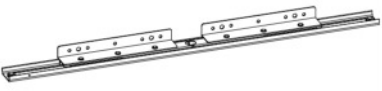
76,4 cm

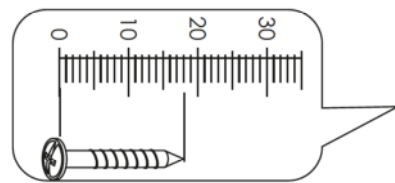




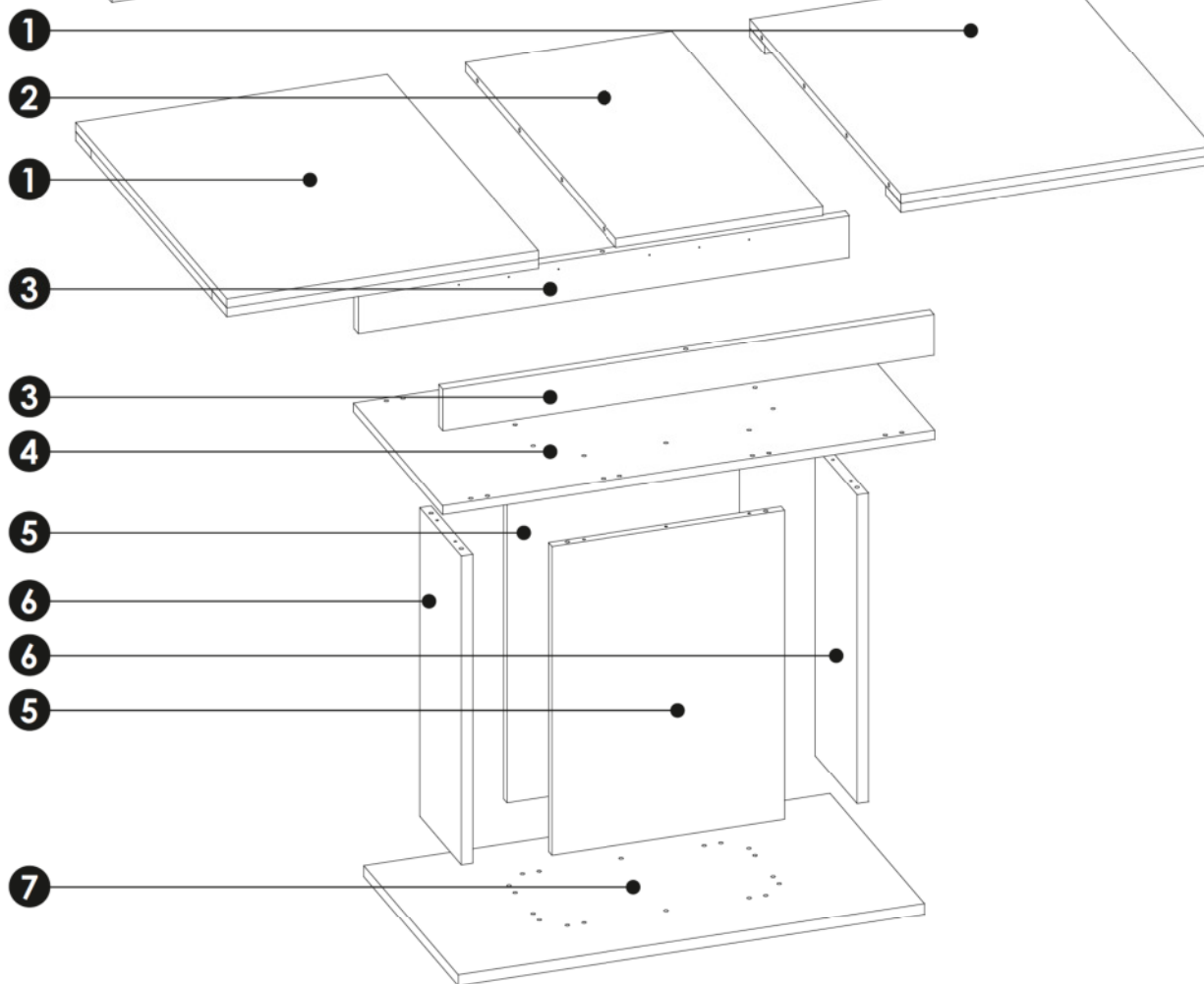
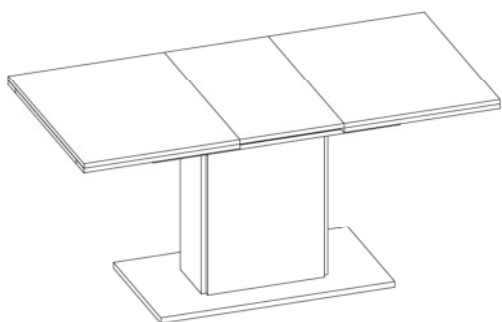
# ALICE



<b>A1</b> 8 x 35 mm x24 	<b>G0</b> x28 	<b>G1</b> 7 x 50 mm x28 
<b>I2</b> 4 x 16 mm x36 	<b>M</b> x1 	<b>O2</b> x6 
<b>O2A</b> ø20 x6 	<b>R8</b> x10 	<b>S19</b> x4 
<b>T11</b> x2 		







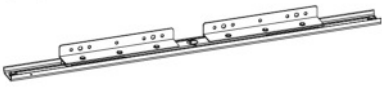
# ALICE

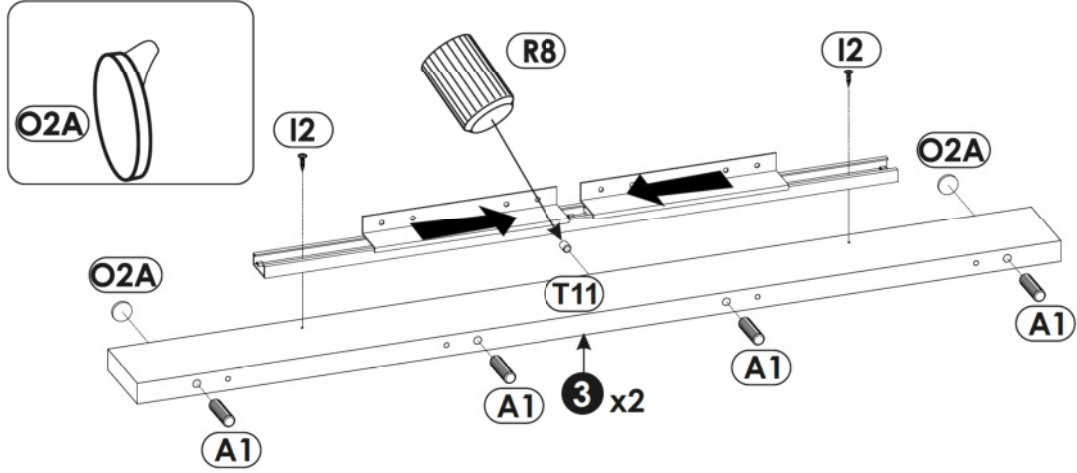


<b>1</b>	800	600	36	x2	2/2
<b>2</b>	800	400	18	x1	2/2
<b>3</b>	948	83	22	x2	1/2
<b>4</b>	950	470	18	x1	1/2


<b>5</b>	616	450	18	x2	1/2
<b>6</b>	616	220	22	x2	1/2
<b>7</b>	900	500	22	x1	1/2

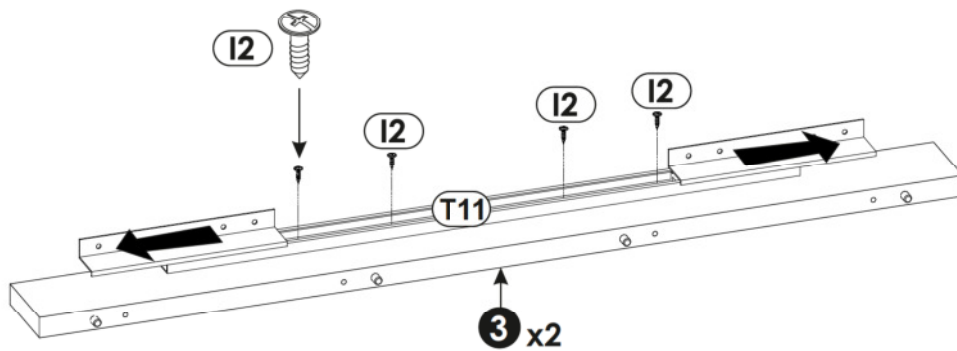
1 ▶

<b>A1</b> x8  8 x 35 mm	<b>I2</b> x4  4 x 16 mm	<b>O2A</b> x4  ø20	<b>R8</b> x2 	<b>T11</b> x2 
--	--	---	---	---

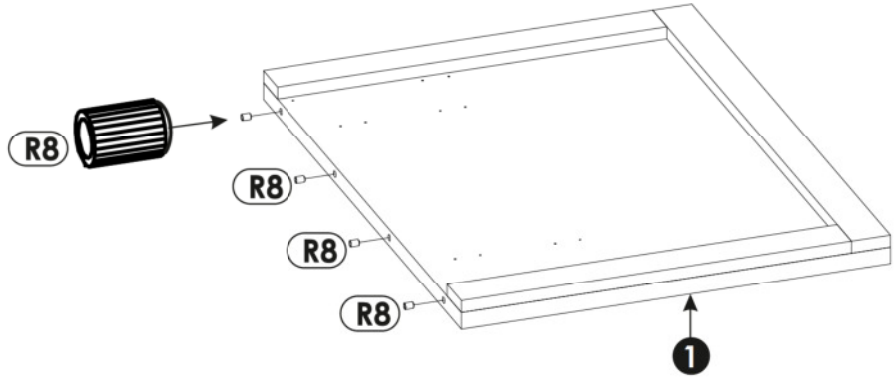
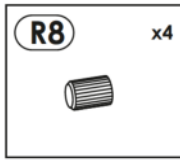


2 ▶

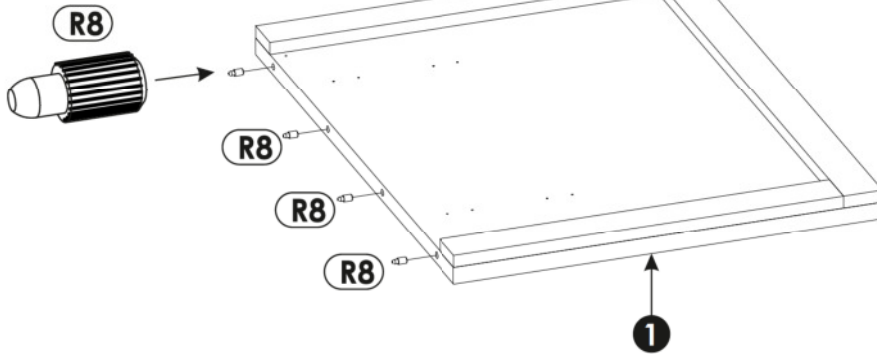
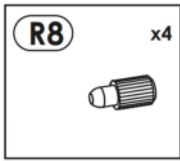
<b>I2</b> x8  4 x 16 mm
--



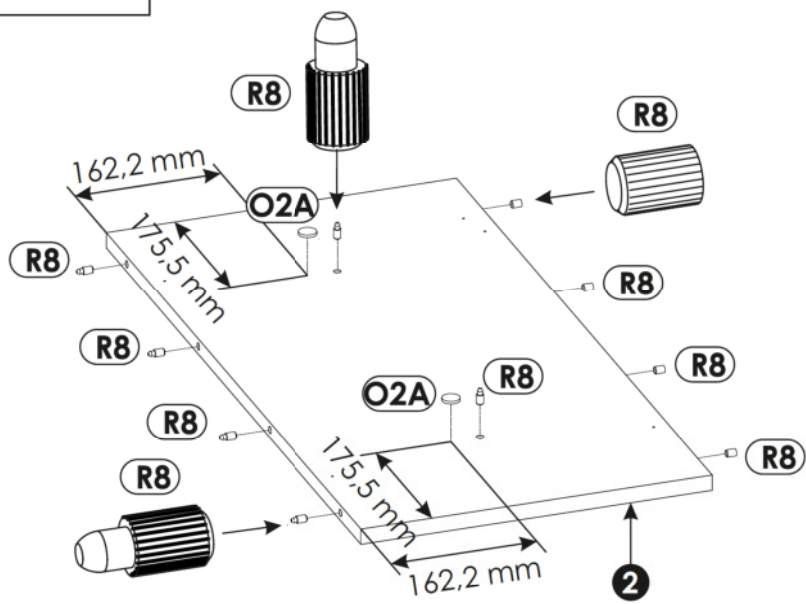
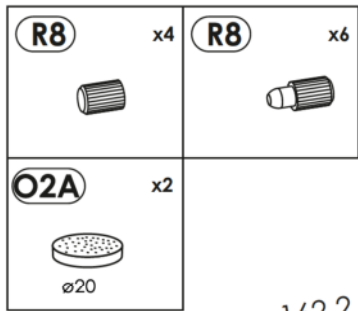
3 ▶

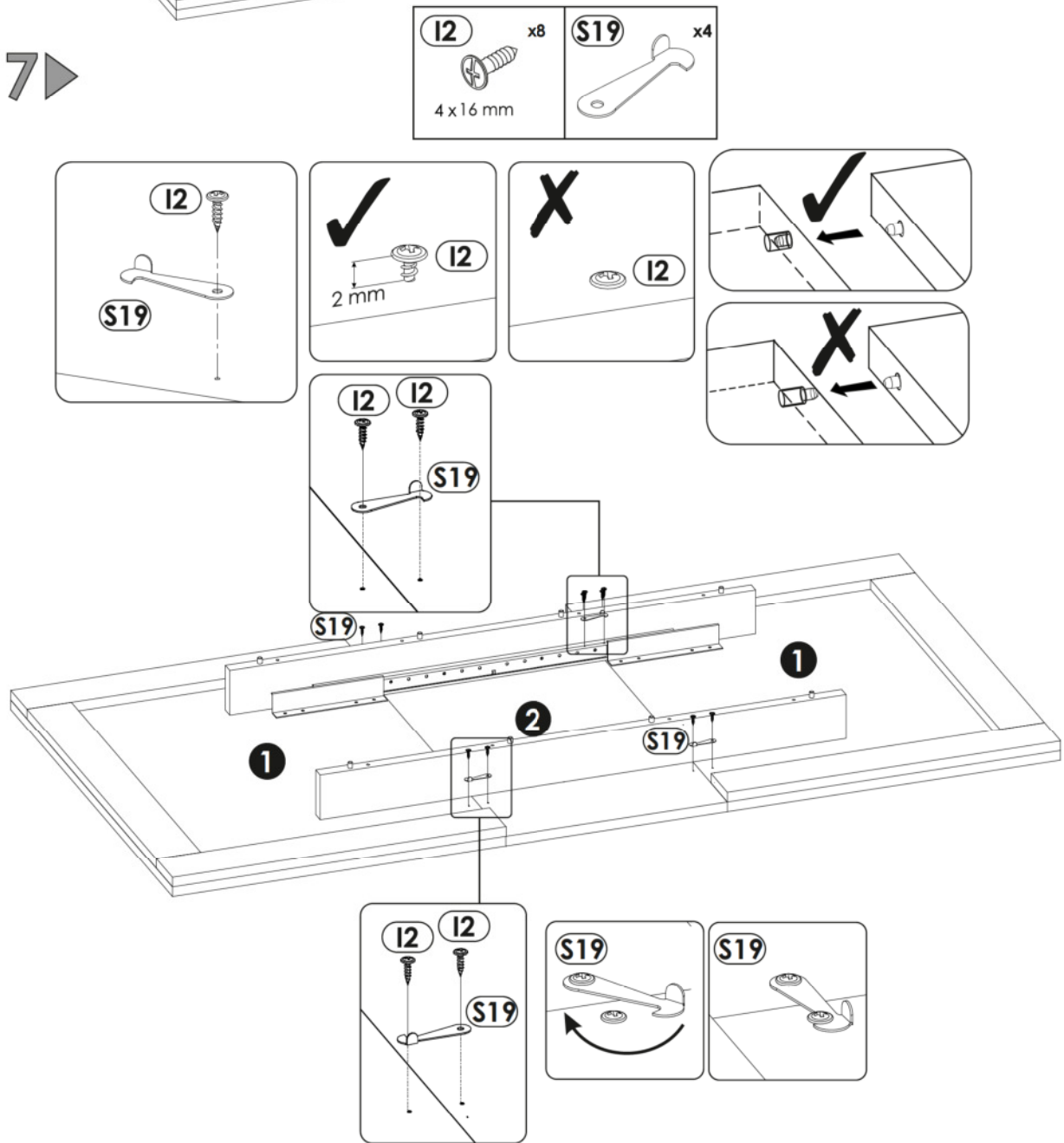
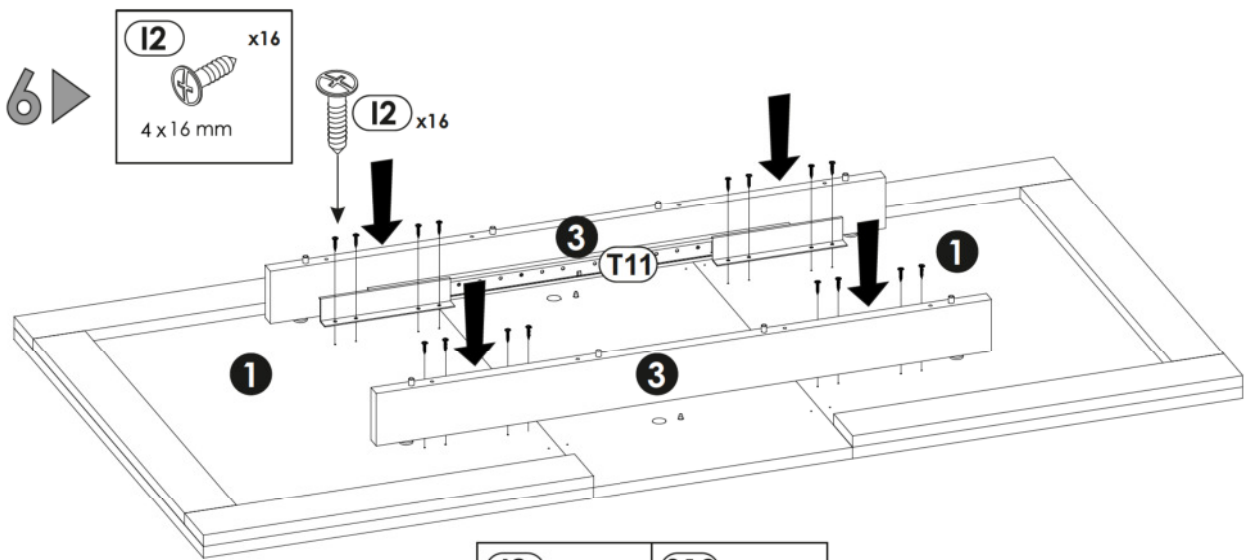


4 ▶

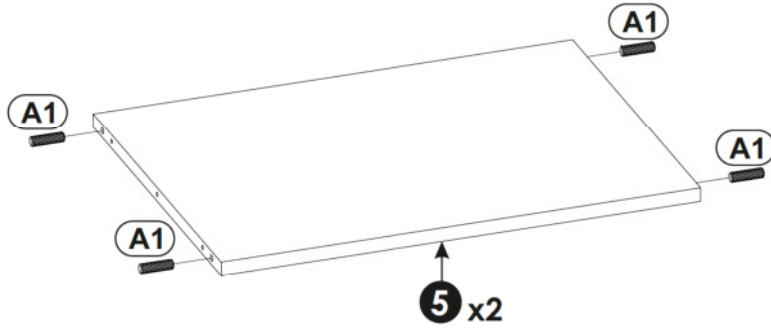
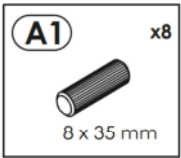


5 ▶

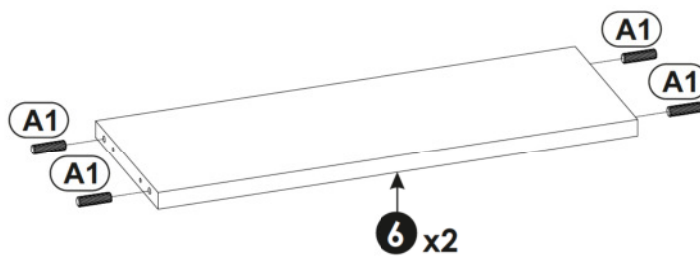
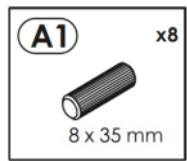




8 ▶

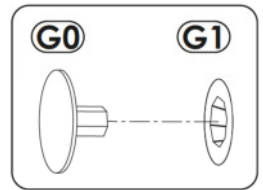
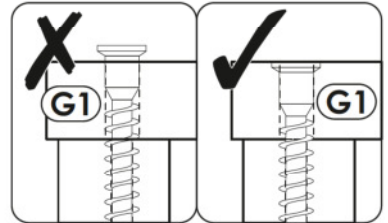
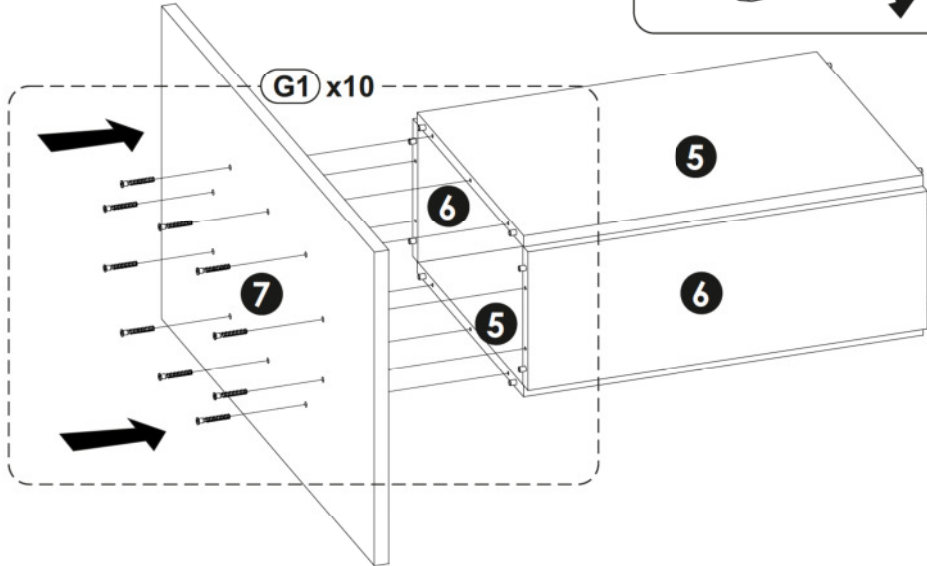
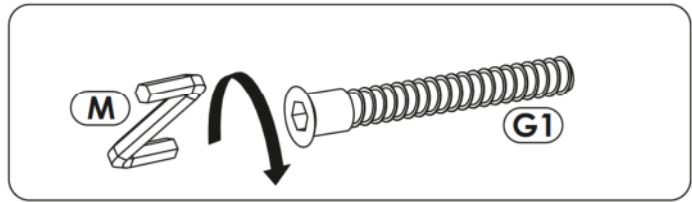
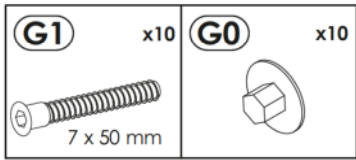


9 ▶

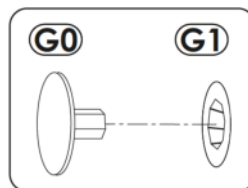
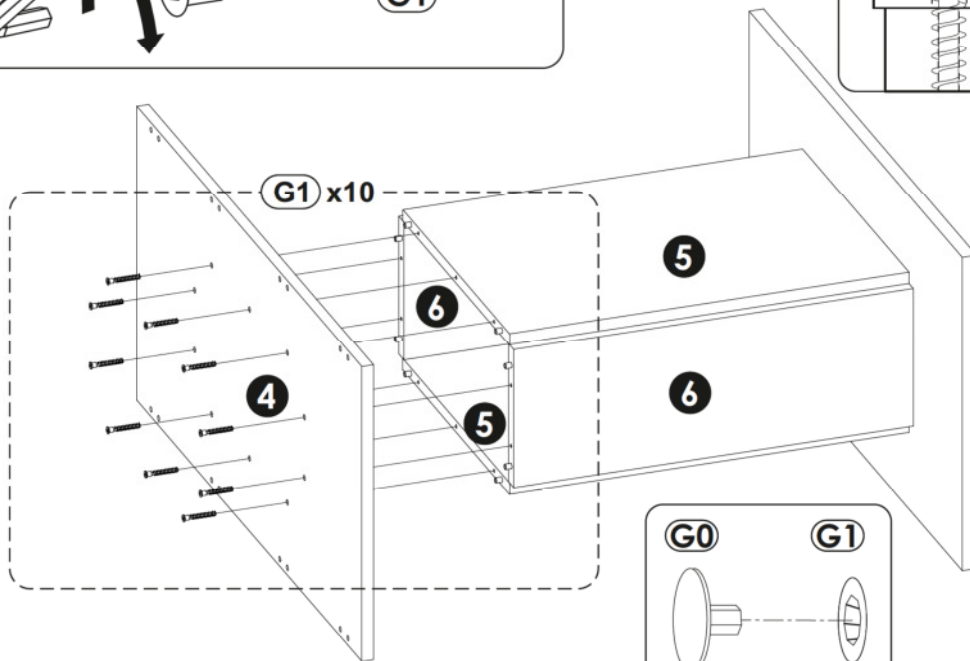
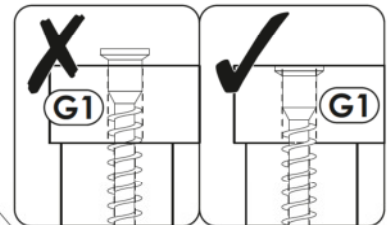
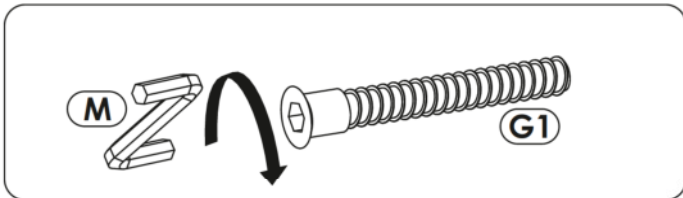
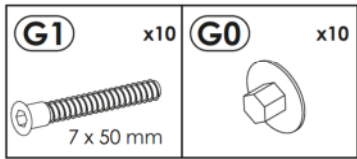




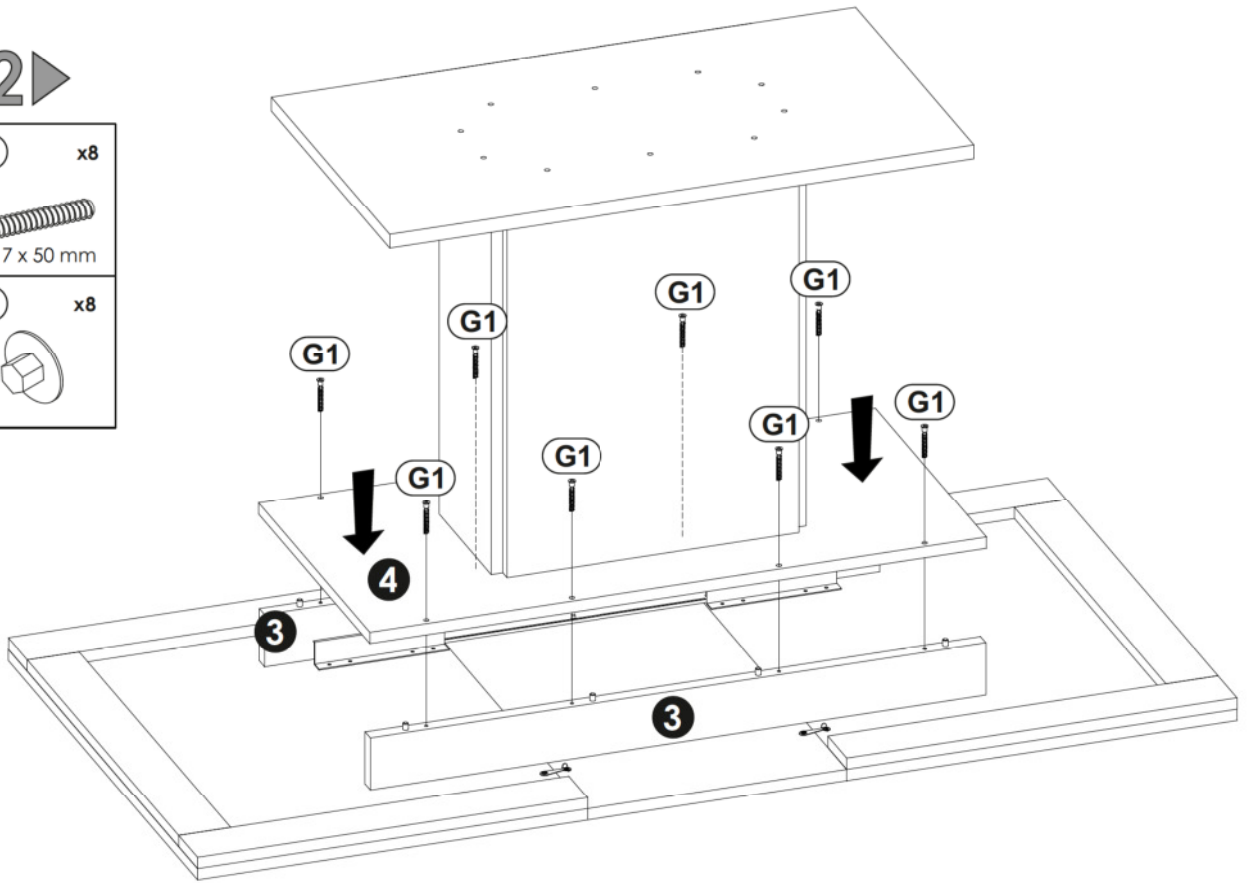
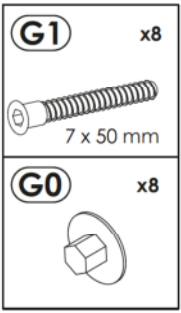
10 ▶



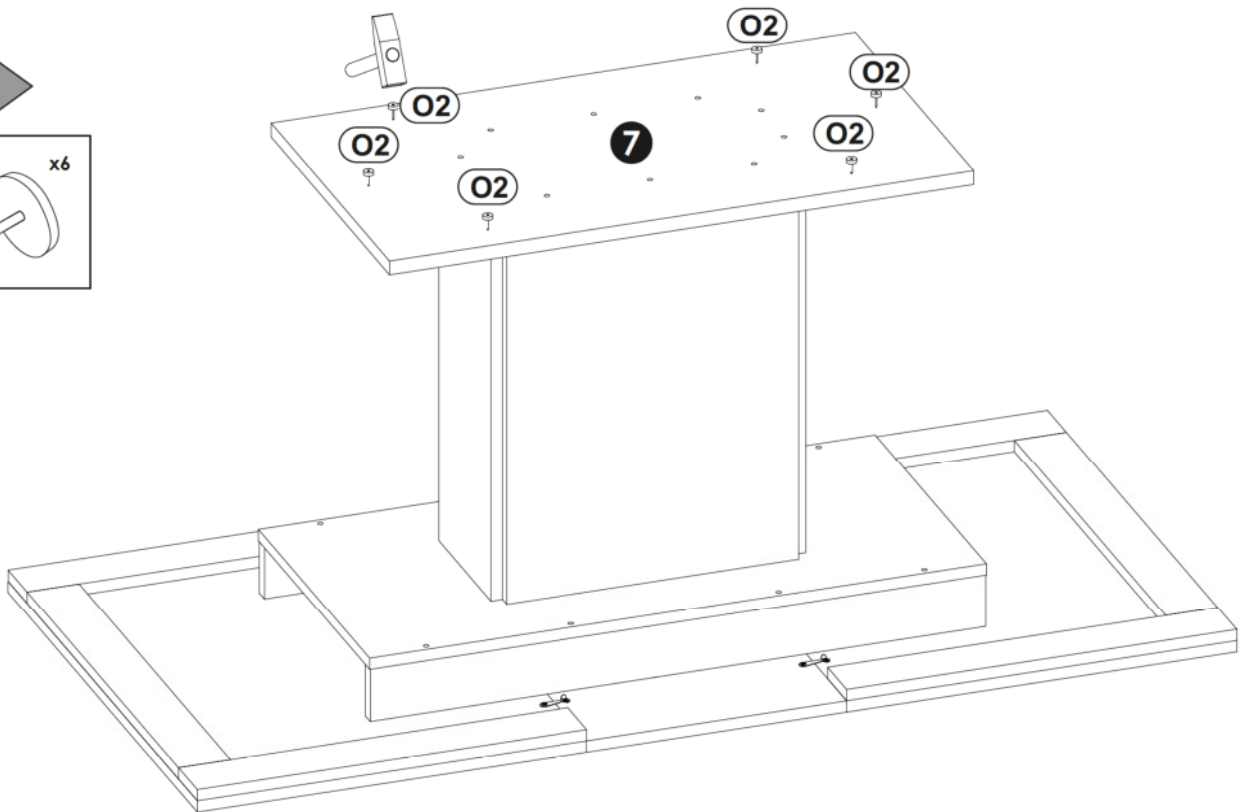
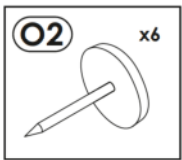
11 ▶



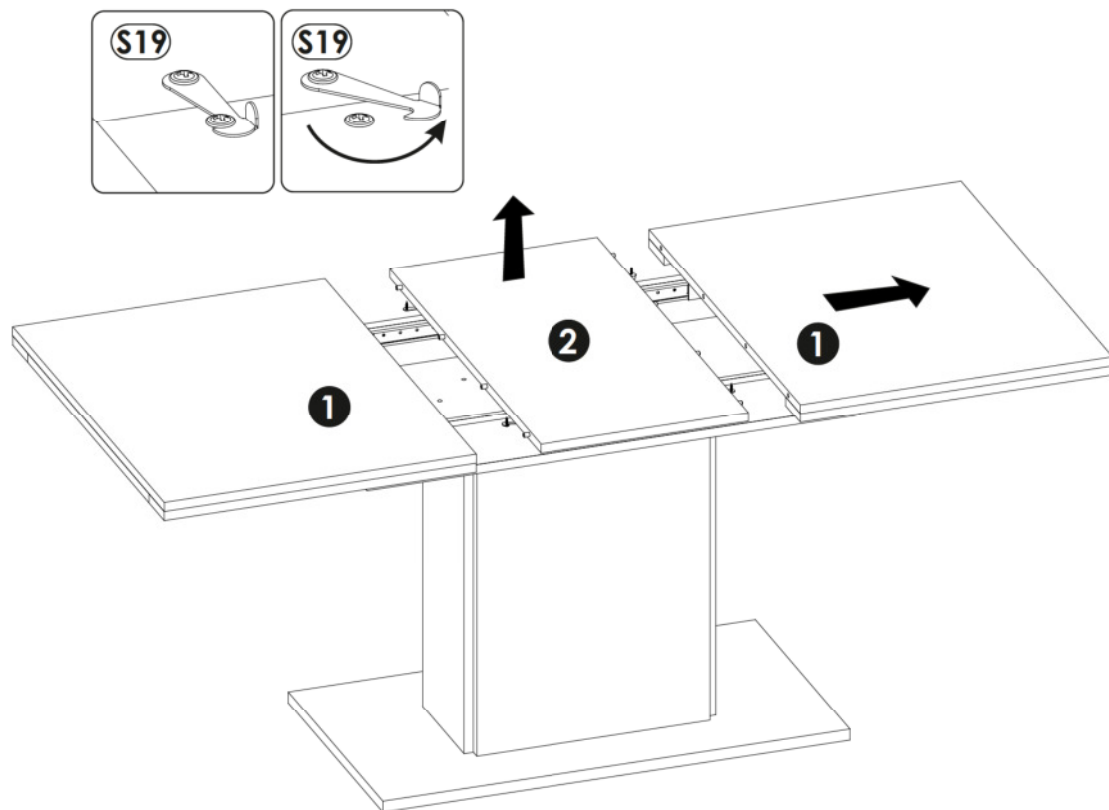
# 12 ▶



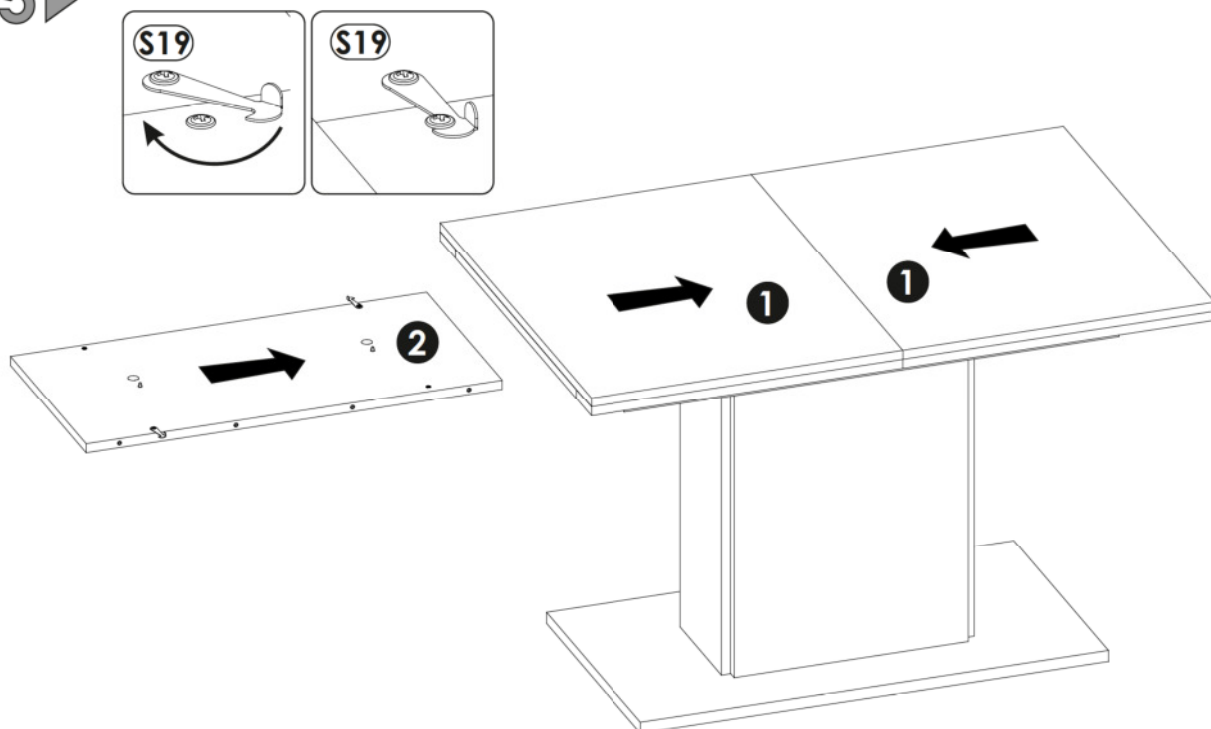
# 13 ▶

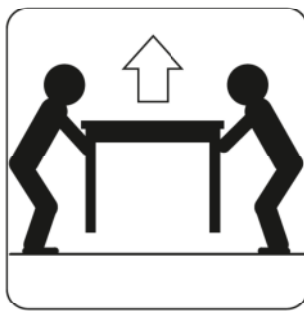
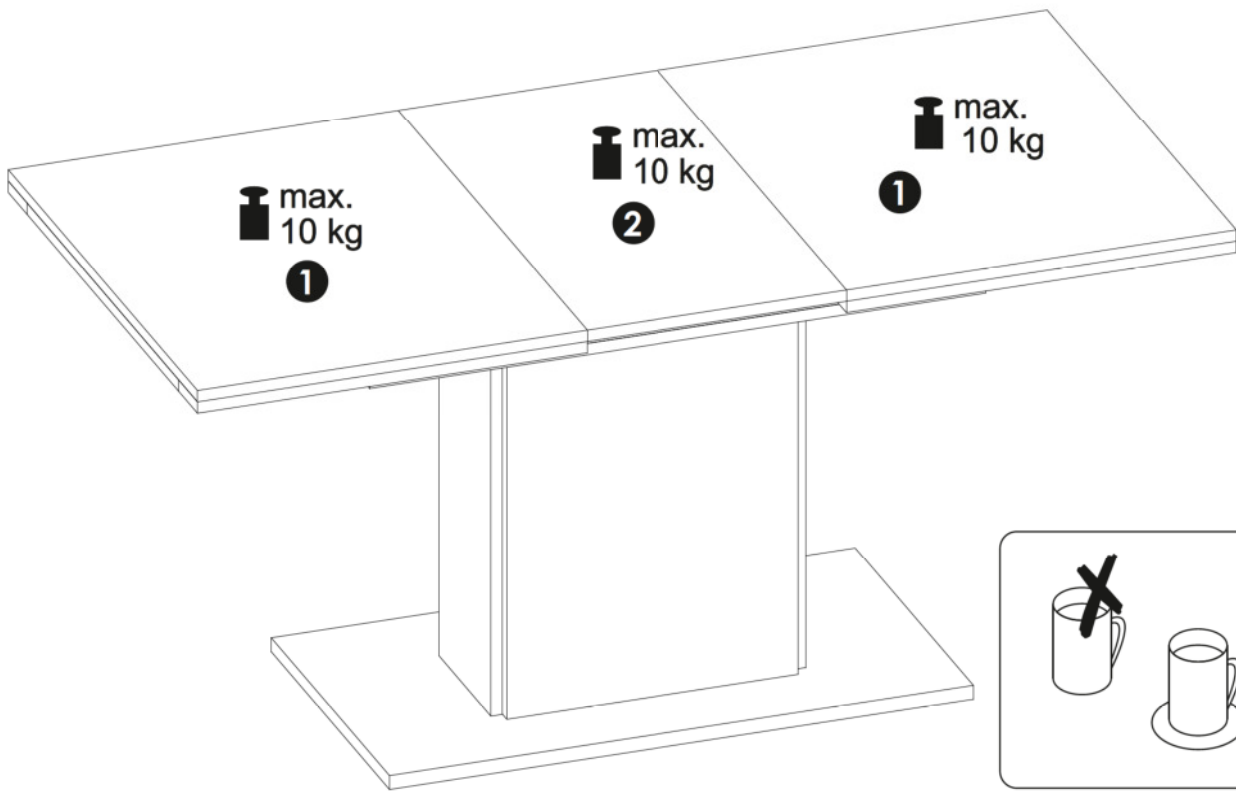


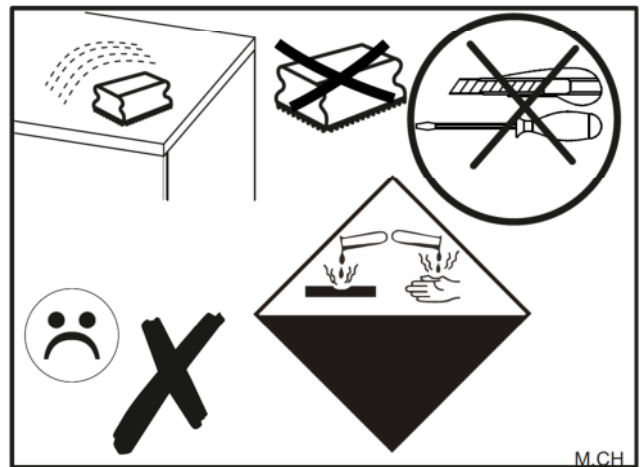
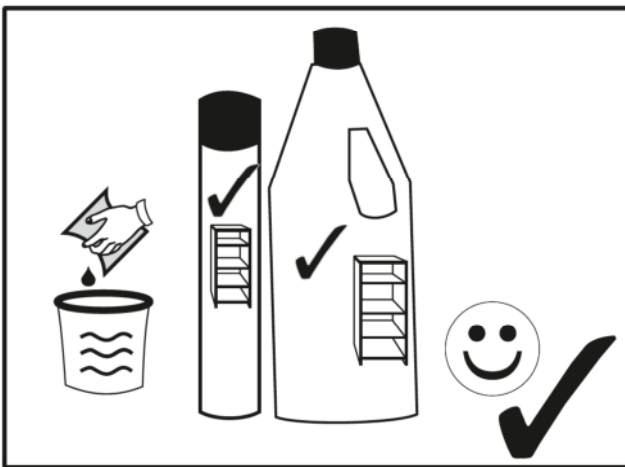
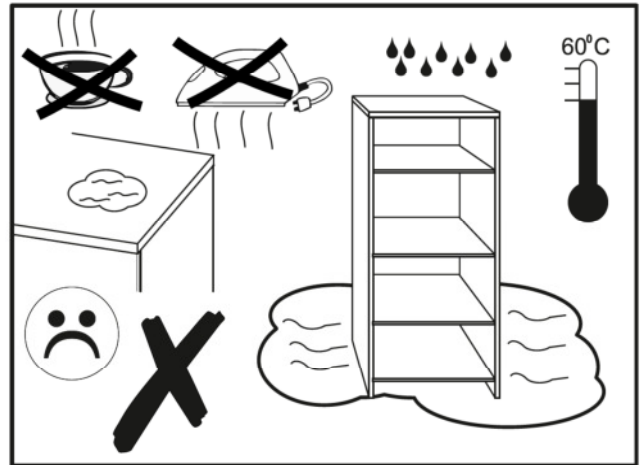
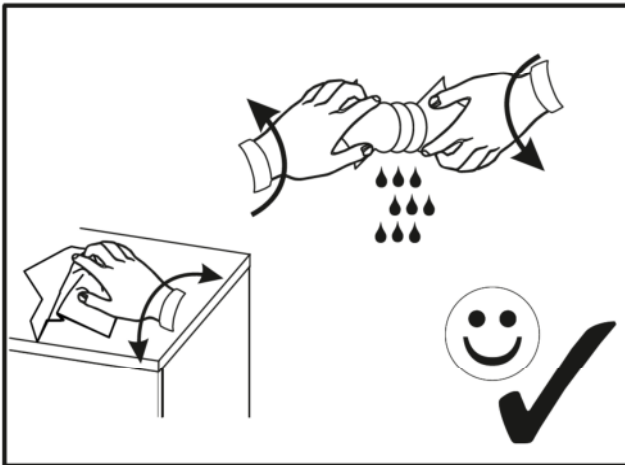
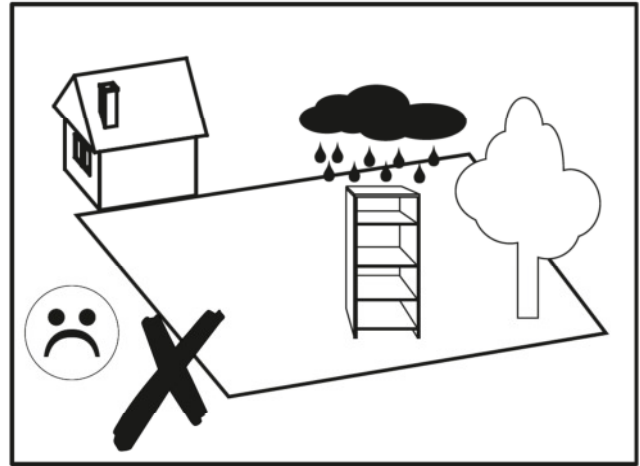
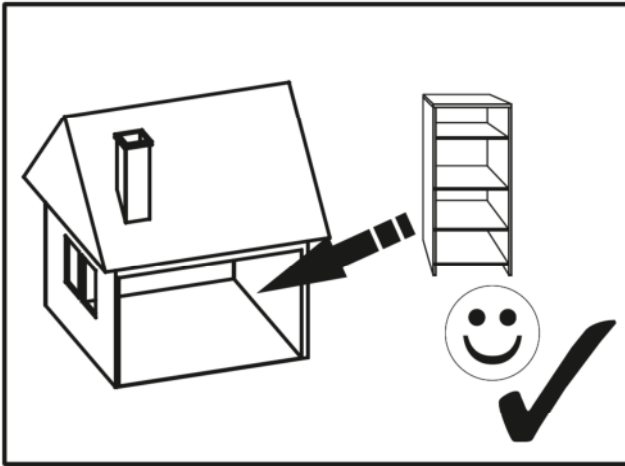
14▶



15▶

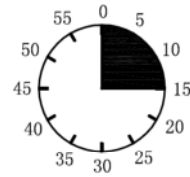
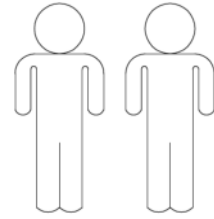
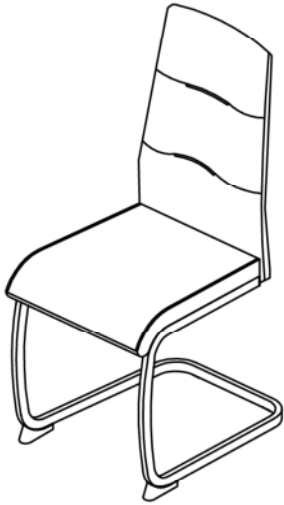






M.CH

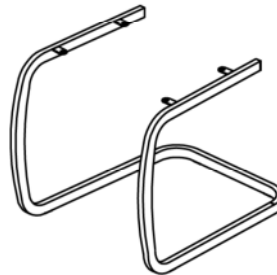
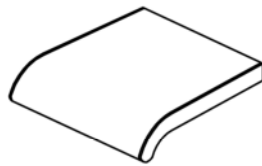
# Ria









1

2

3

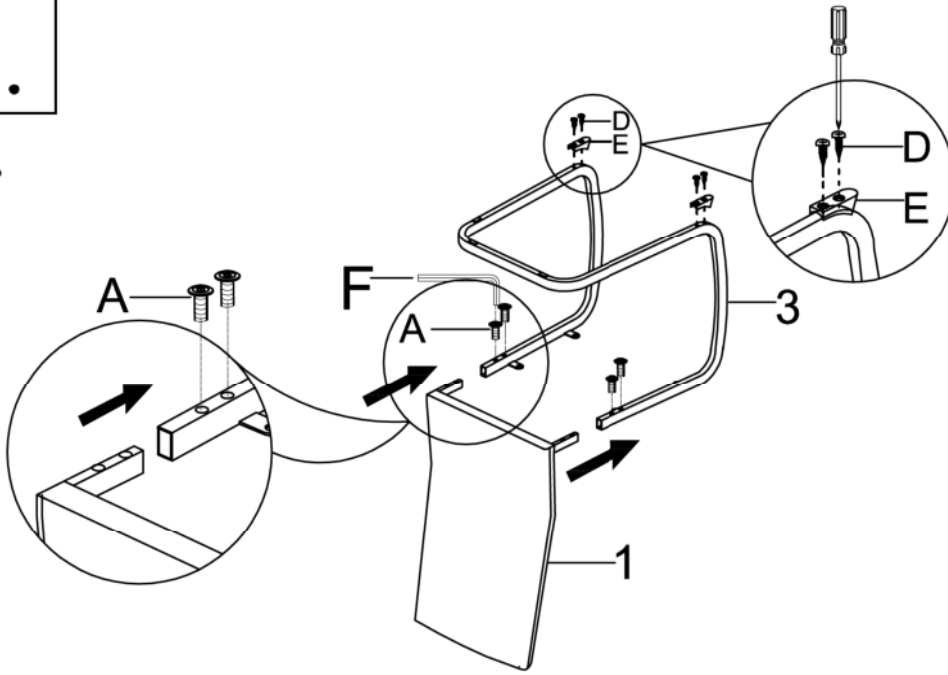


1	1X
2	1X
3	1X

<b>A</b> M6*12  4X	<b>B</b> M6*18  4X	<b>C</b> Ø18*Ø6.5*1.5  4X	<b>D</b> M4*20  4X	<b>E</b>  2X
<b>F</b> 4mm  1X				

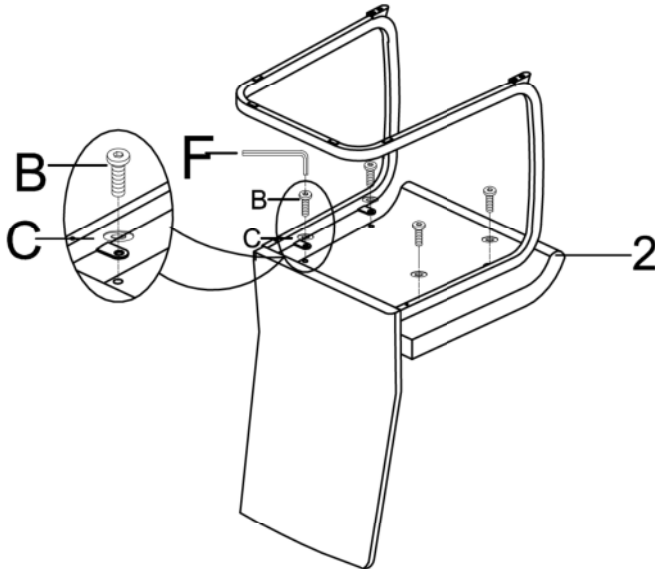
I.

1.



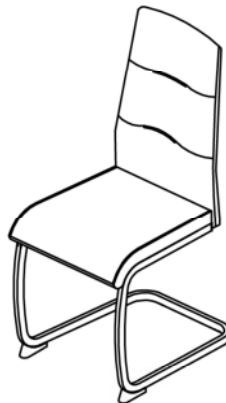
A	M6*12	4X
D	M4*20	4X
E		2X
F	4mm	1X

2.



B	M6*18	4X
C	Ø18*Ø6.5*1.5	4X
F	4mm	1X

3.



F	4mm	1X

