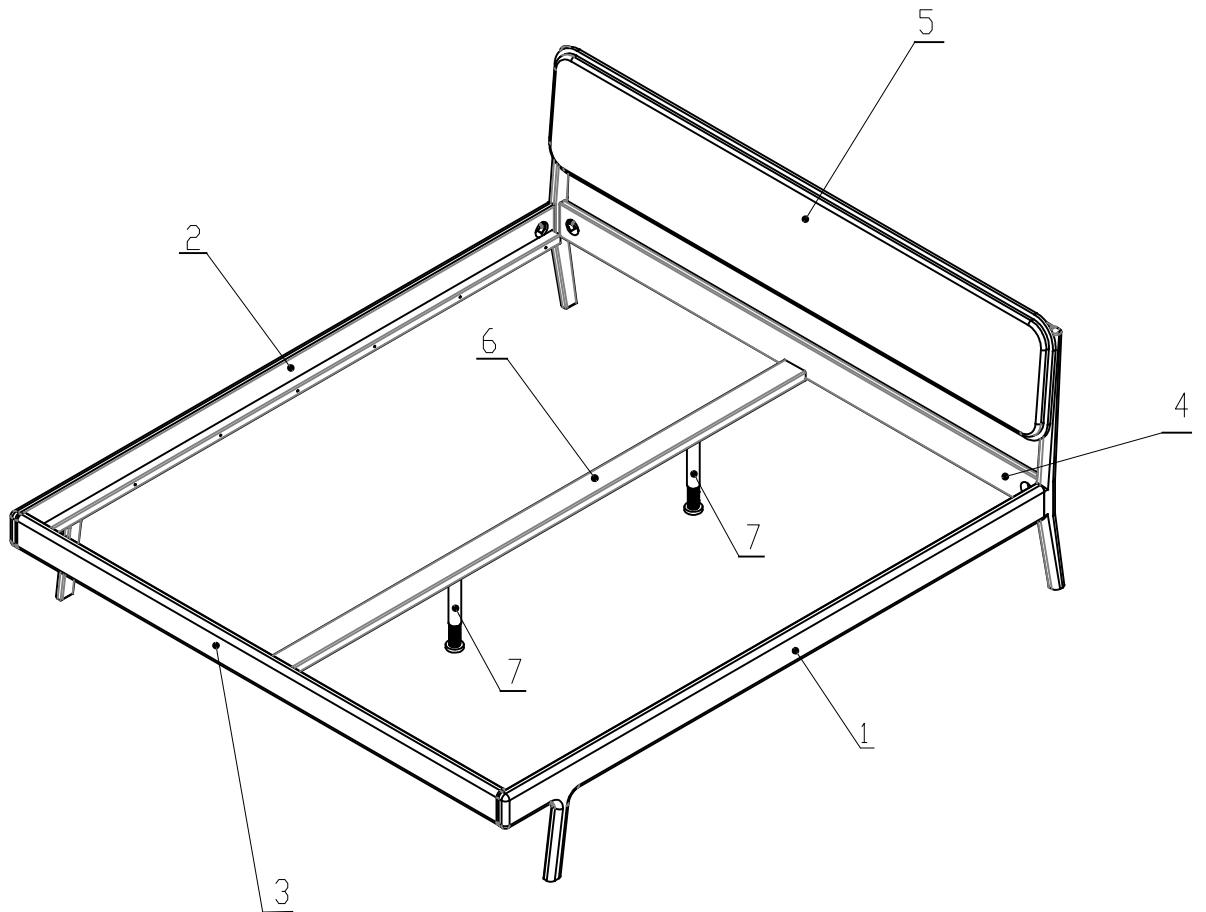


# JERIK

22-591-07

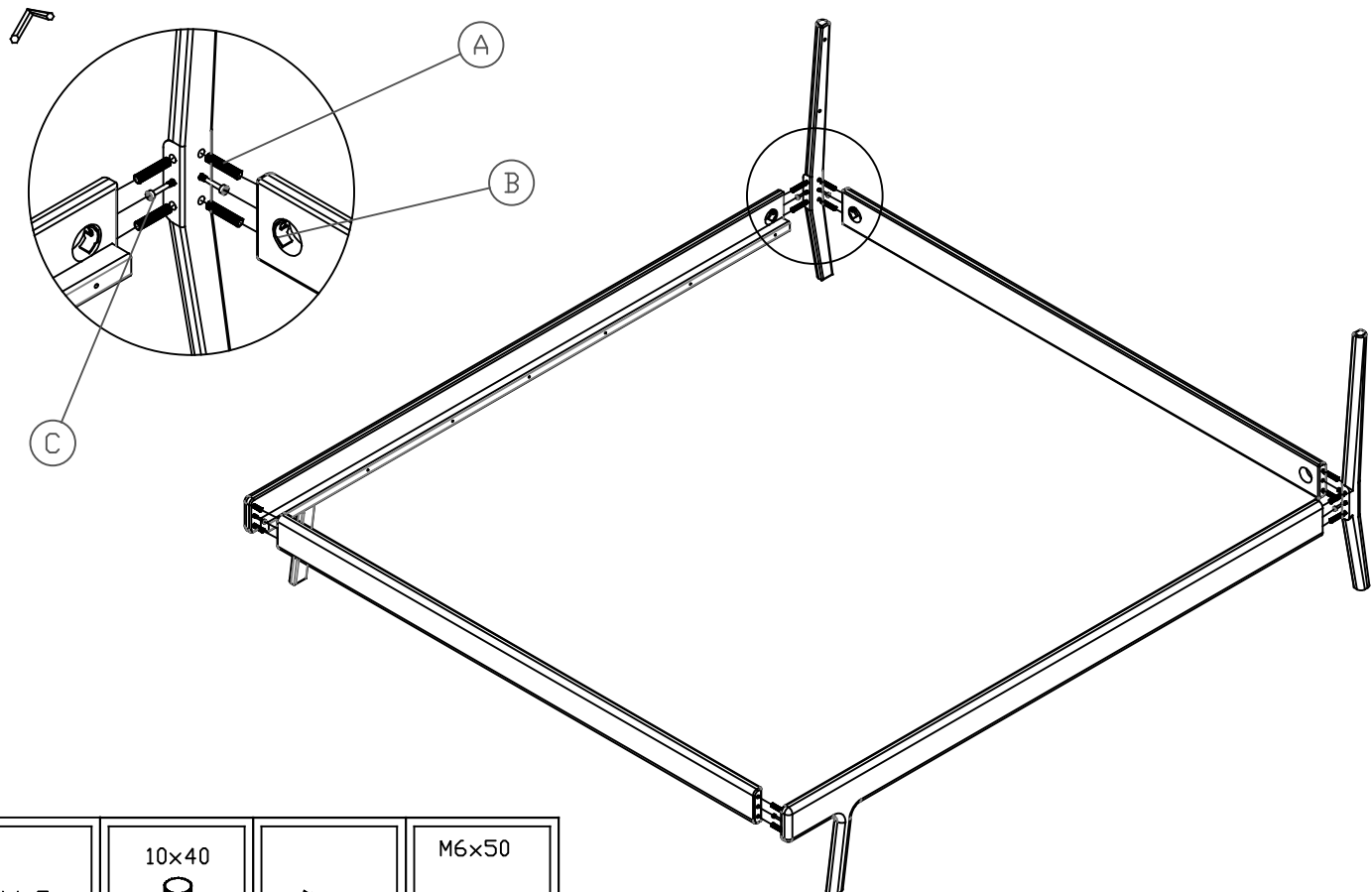


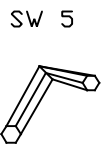



40 Minutes



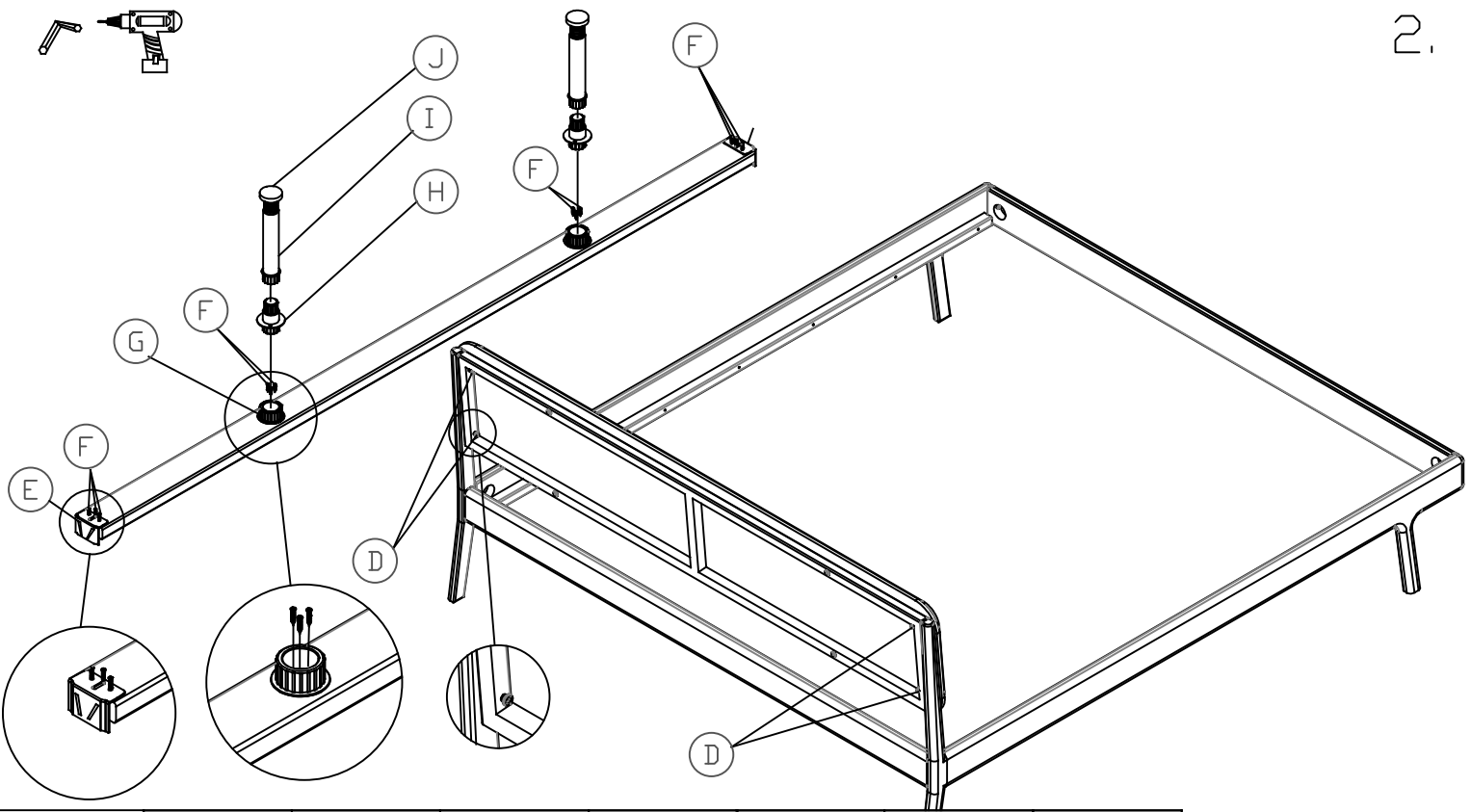
<p>SW 5</p>	<p>10x40</p> <p>Ax12</p>	<p>Bx6</p>	<p>M6x50</p> <p>Cx6</p>	<p>M6x50</p> <p>Dx4</p>	<p>SW 4</p>	<p>Ex2</p>	<p>3,5x16</p> <p>Fx20</p>	<p>Gx2</p>	<p>Hx2</p>
<p>Ix2</p>	<p>Jx2</p>	<p>Kx2</p>							


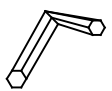


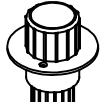

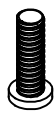
1.



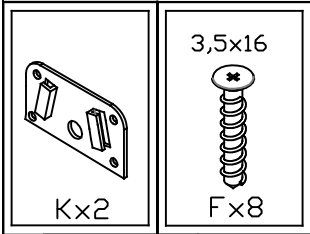
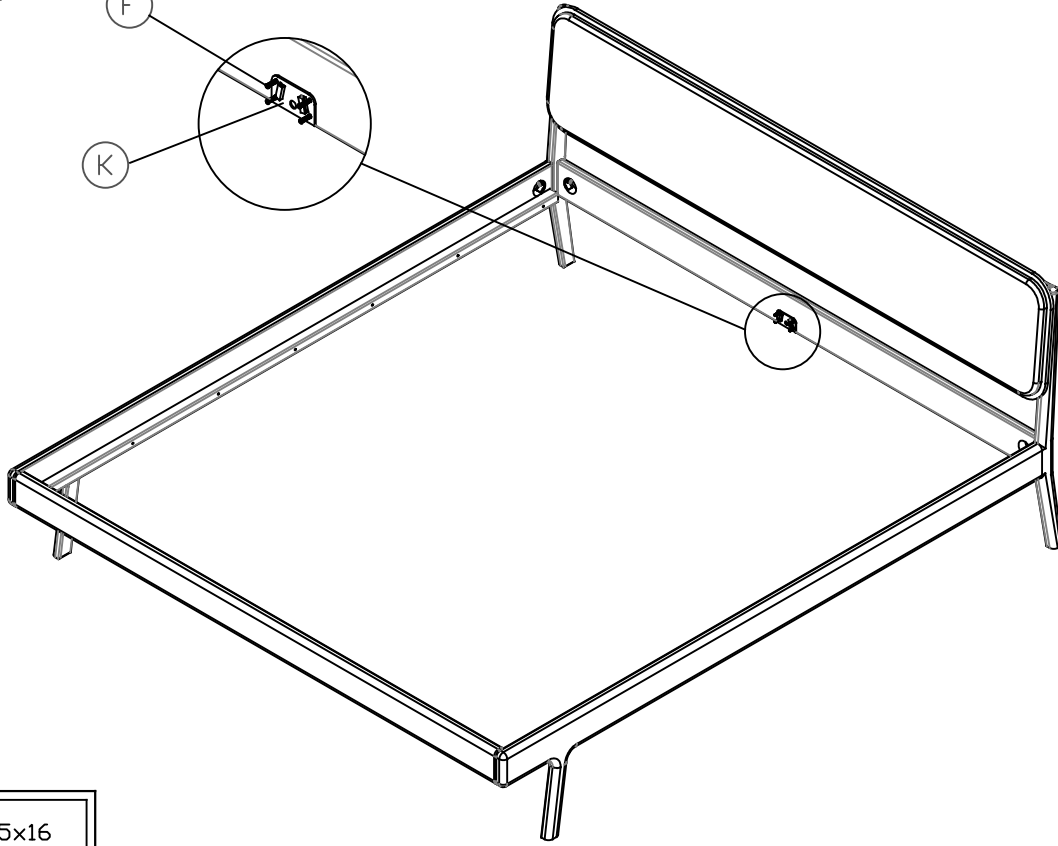
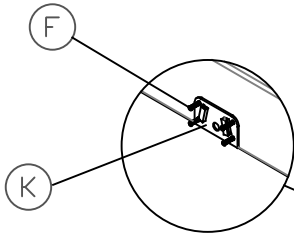
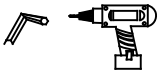
 <p>SW 5</p>	<p>10x40</p>  <p>Ax12</p>	 <p>Bx6</p>	<p>M6x50</p>  <p>Cx6</p>
---	---	---	--

2.



<p>M6x50</p>  <p>Dx4</p>	<p>SW 4</p>  <p>Ex2</p>	<p>3,5x16</p>  <p>Fx12</p>	 <p>Gx2</p>	 <p>Hx2</p>	 <p>Ix2</p>	 <p>Jx2</p>
--	--	---	--	--	---	--

3.



4.

