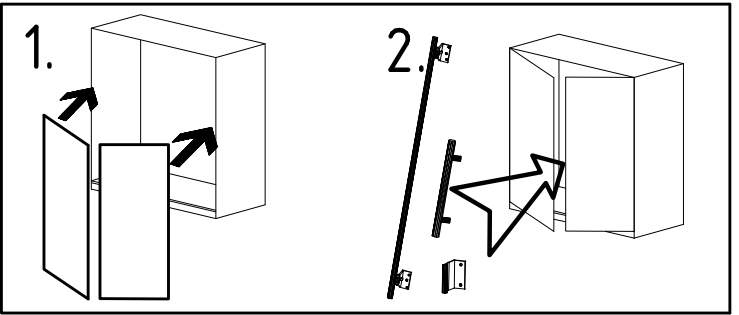
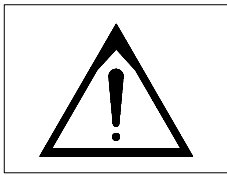
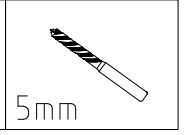
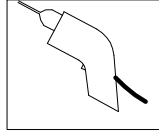
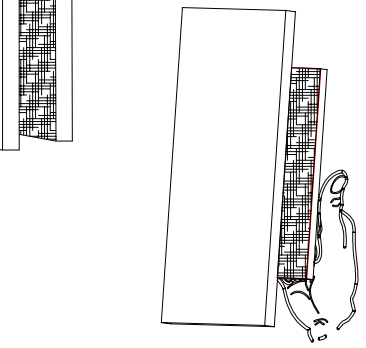
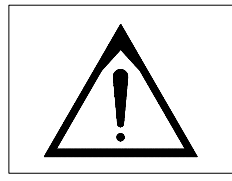
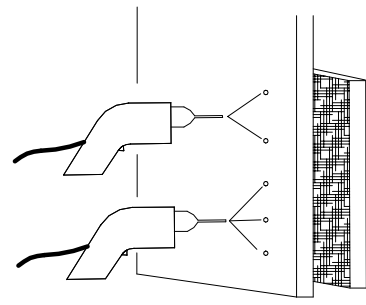
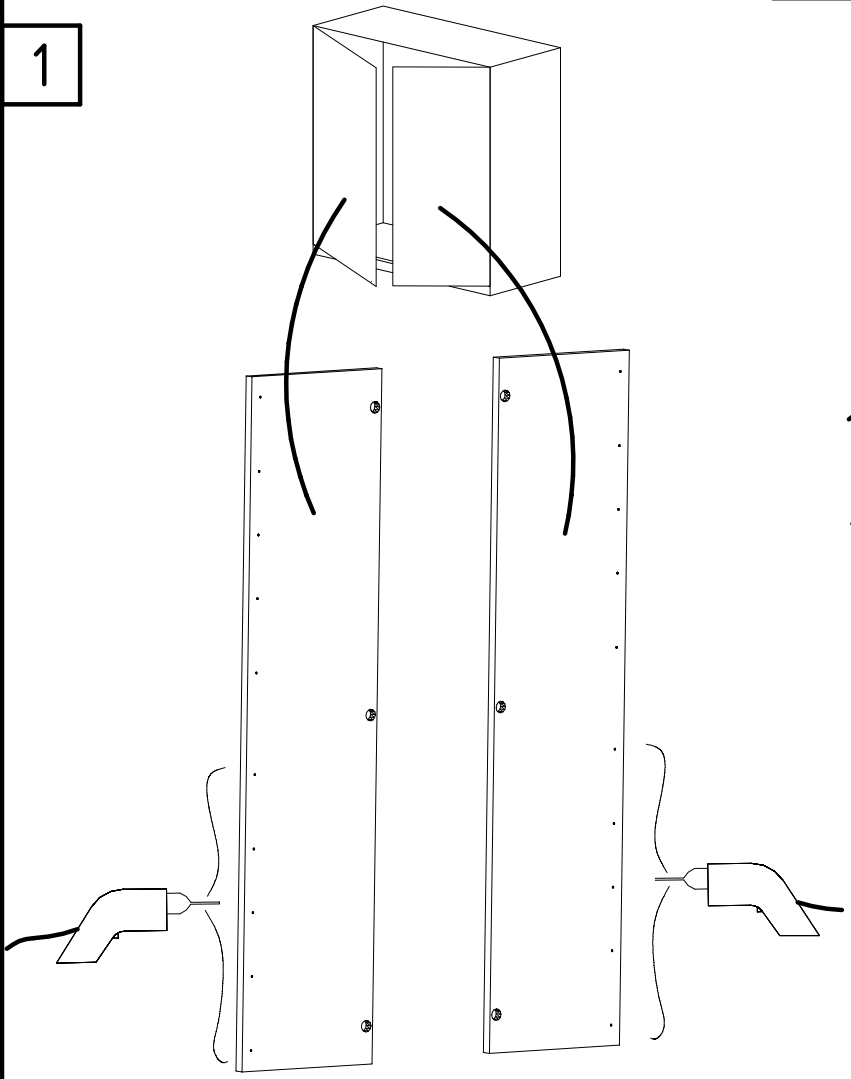


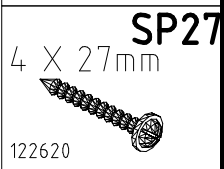
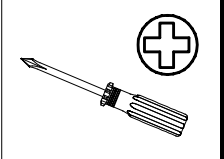
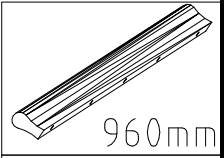
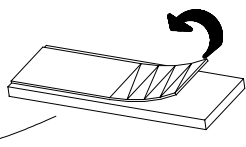
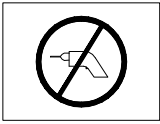
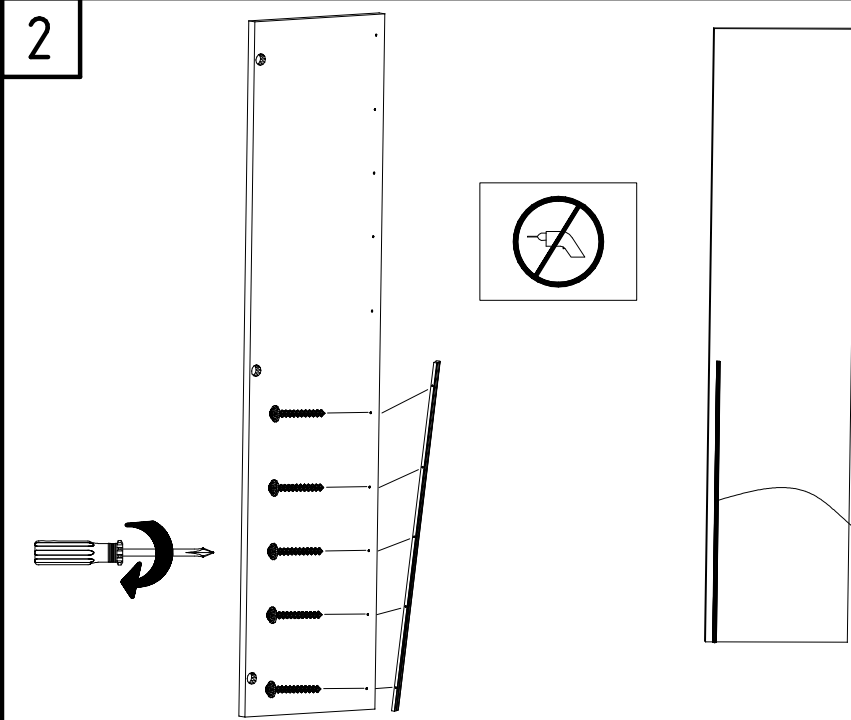
980301



1

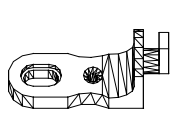



2

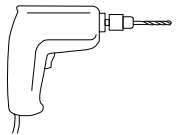
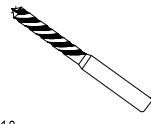
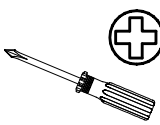
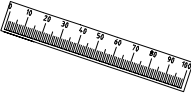


122620

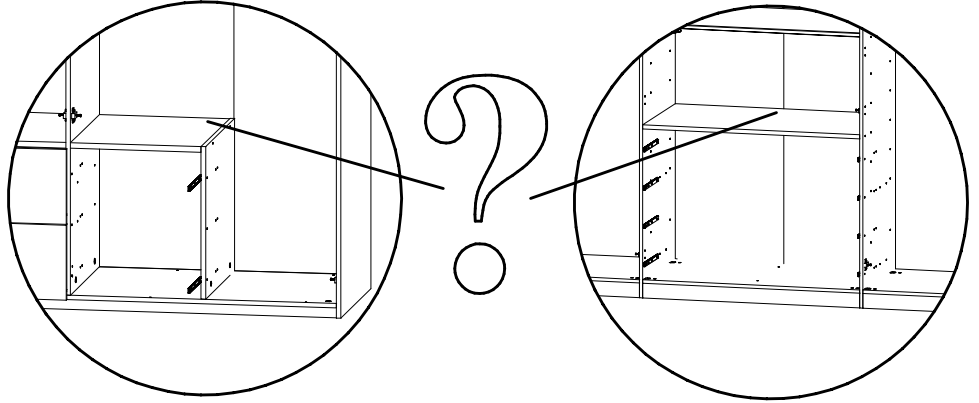
980511

 111 174	J1 1x
 121 120	SP14 4 x 15mm 1x

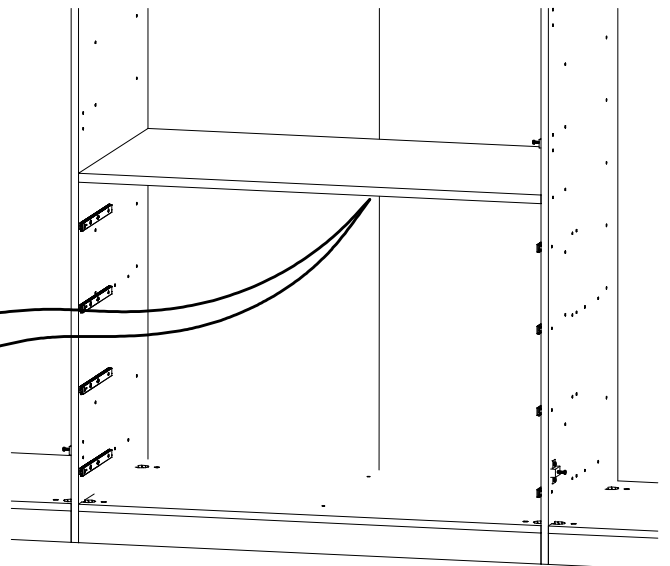
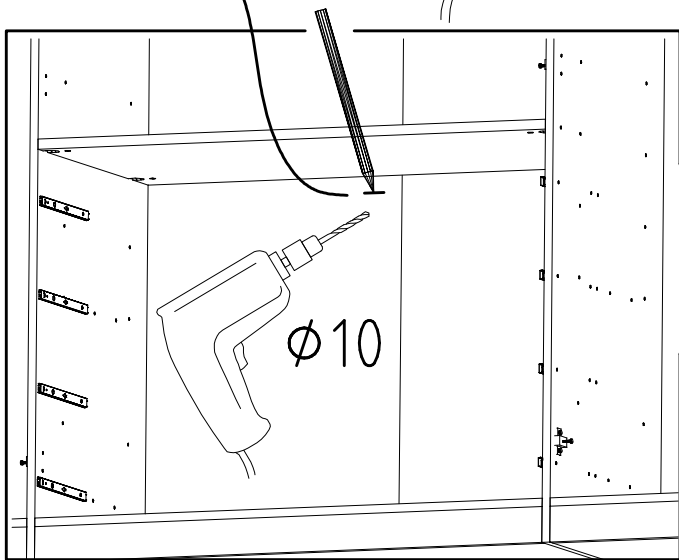
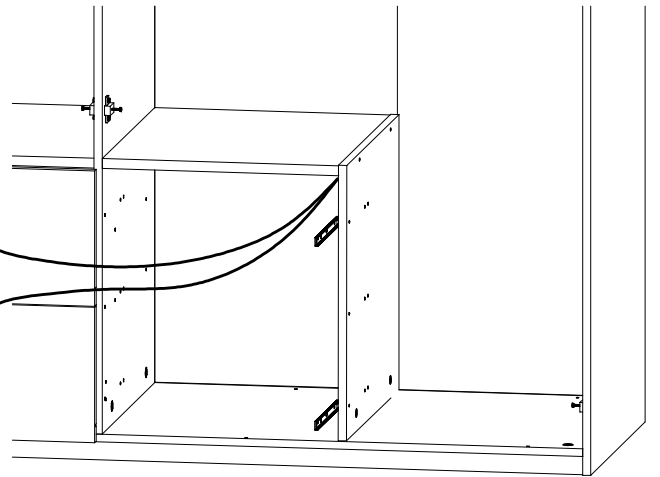
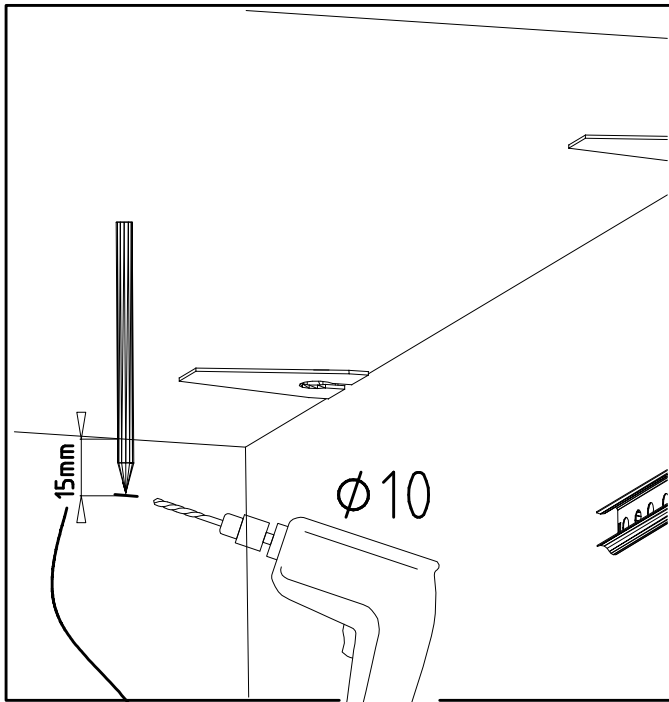


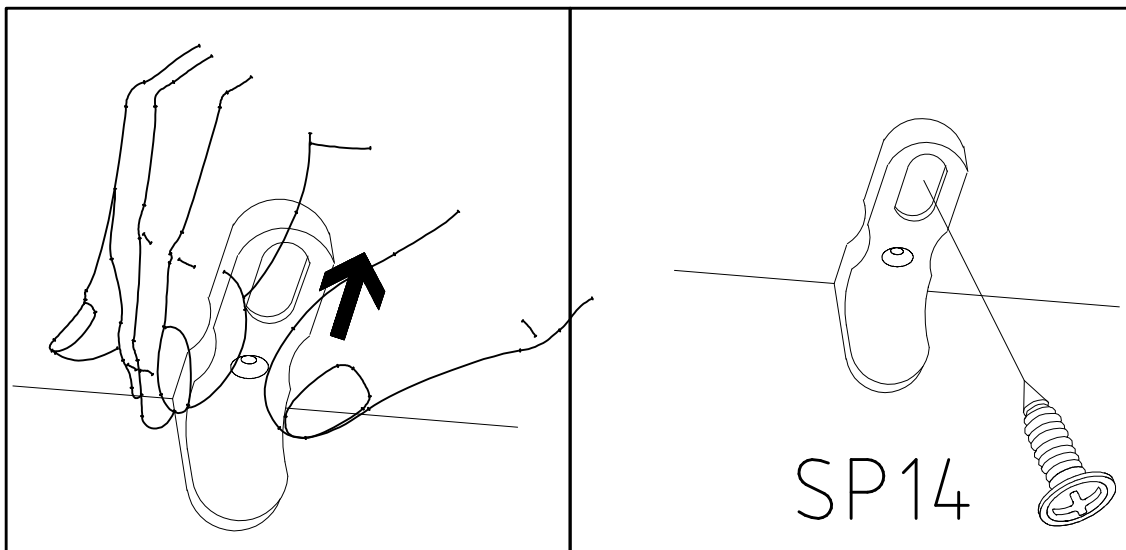
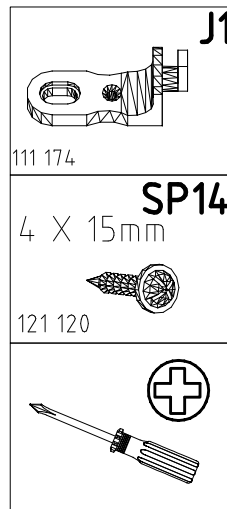
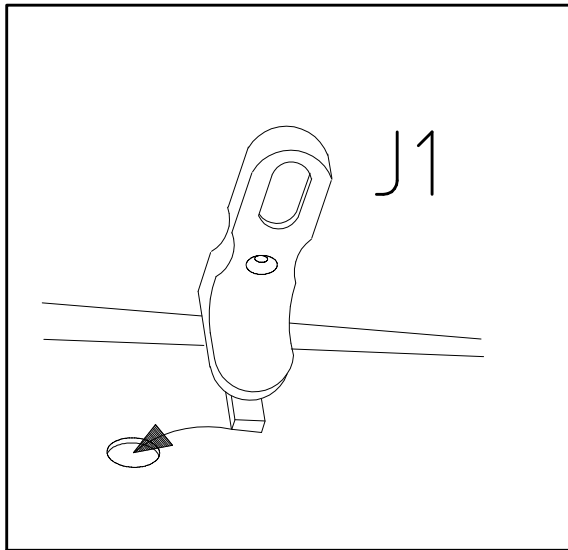
10mm



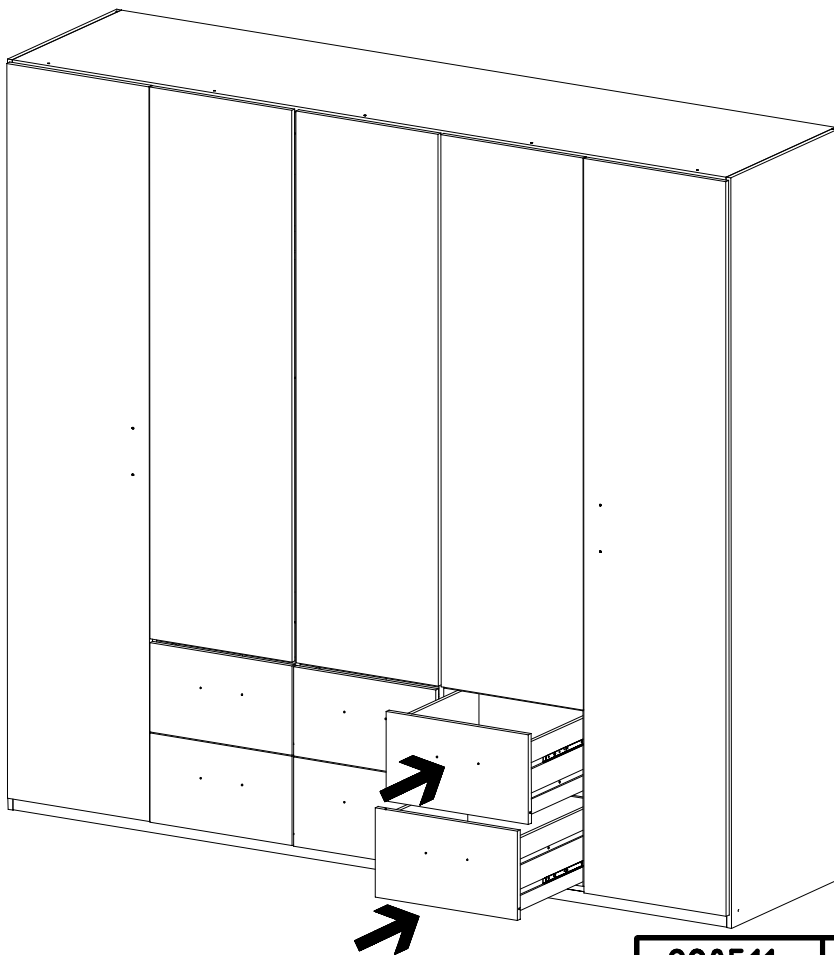
1



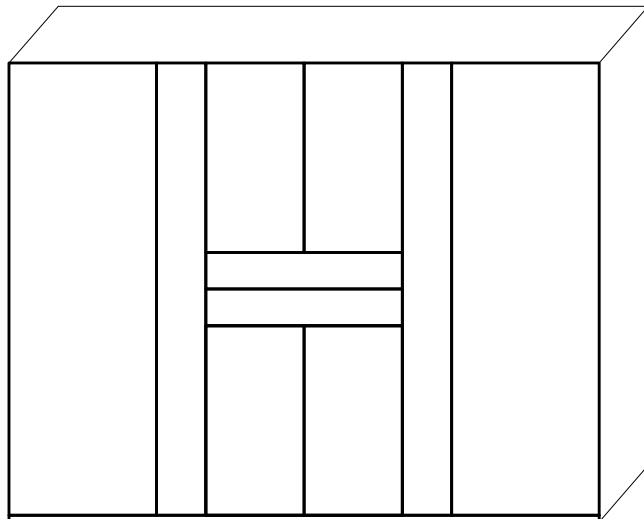
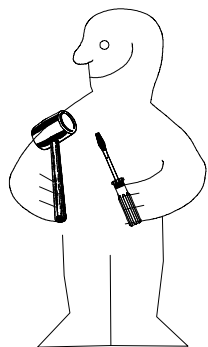
2



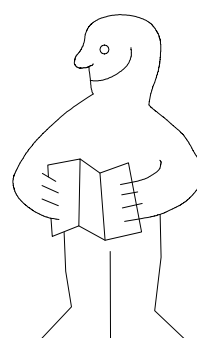
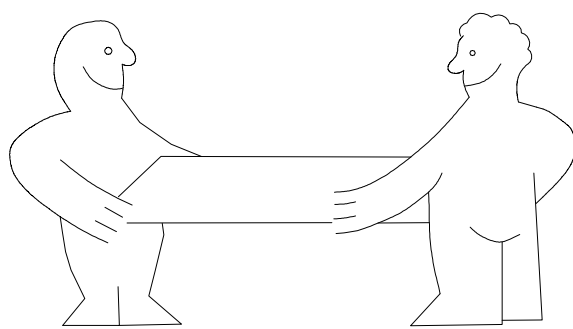
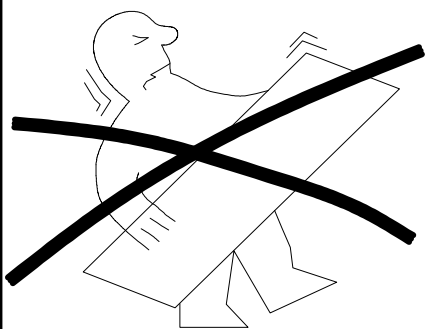
3



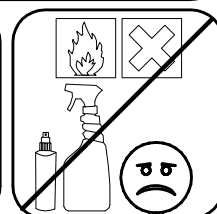
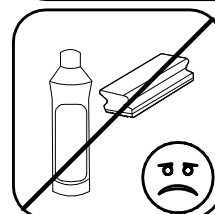
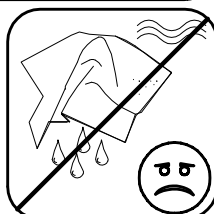
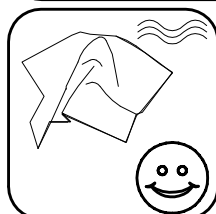
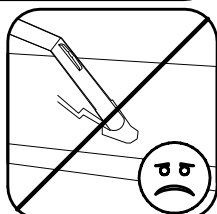
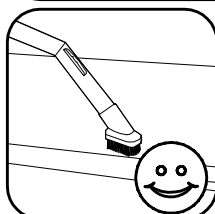
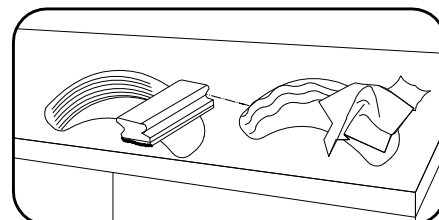
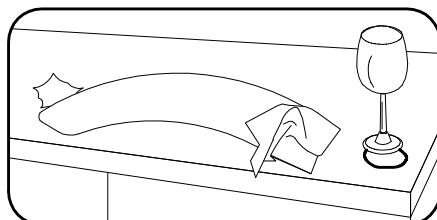
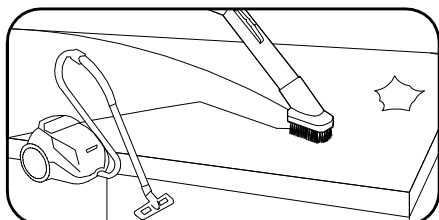
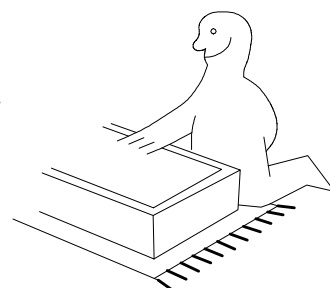
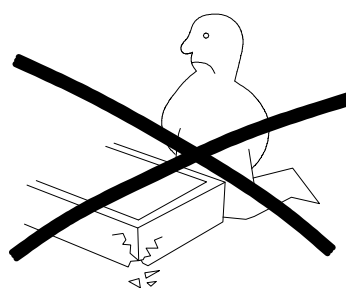
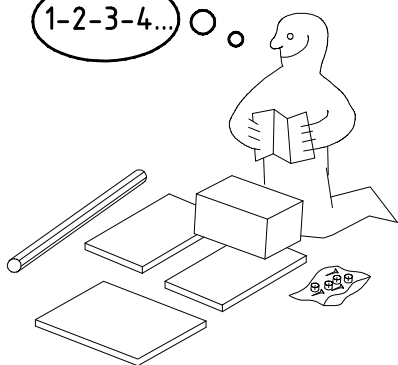
980546



NSP 270 2SK BB



1-2-3-4... ○



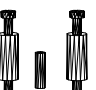
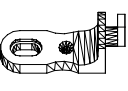




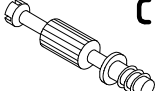
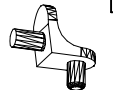

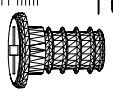
980546

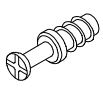
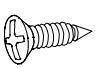

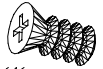

17.11.17 / -

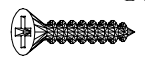
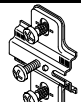
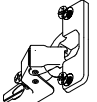
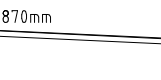
11 17

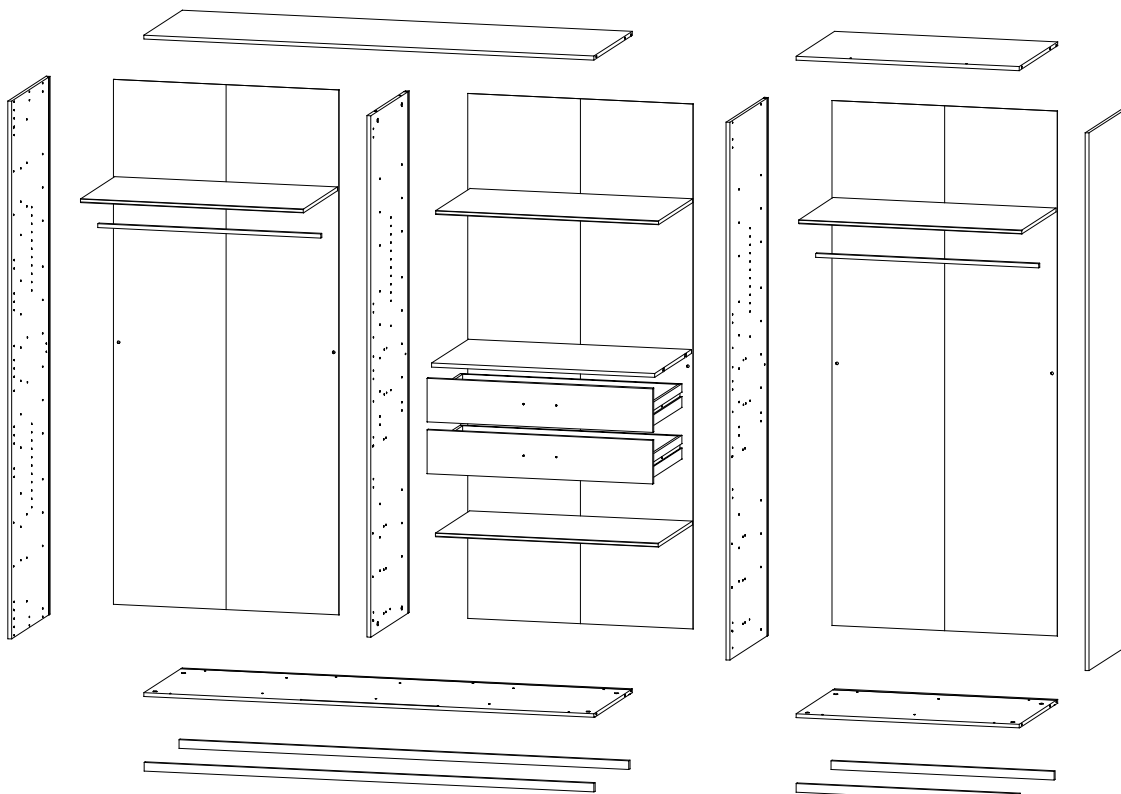
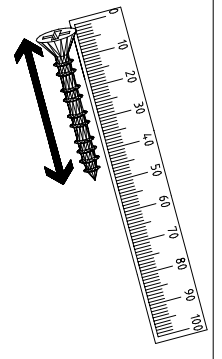
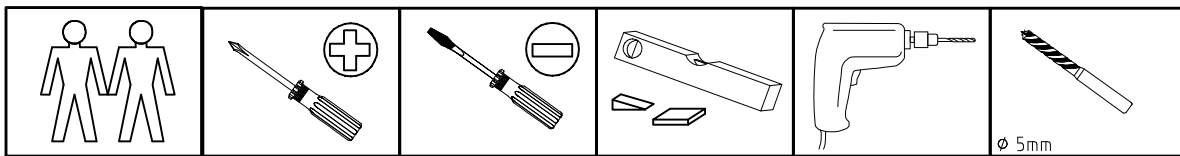
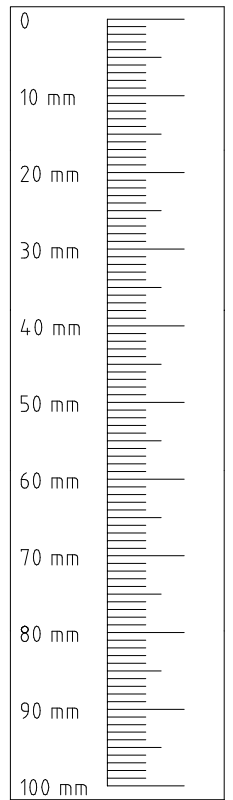
1/14

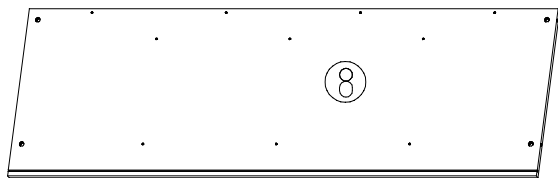
 111 252	VB23 4x
 111 102	A 20x
	F3 4x
 111 174	J1 6x
 117 001	K1 4x

 163 007	Z 2x
 111 103	C 12x
 111 610	L7 16x
 M6 x 11 mm	SBV 6x
 121 181	T6 6x

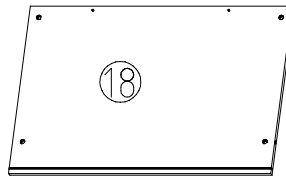
 111 229	F 4x
 121 370	G1 10x
 112 198	Y20 4x
 112 616	T3 8x
 111 015	G8 4x

 121 375	G14 18x
 112 268	M 20x
 112 267	N 20x
 112 402	K20 2x

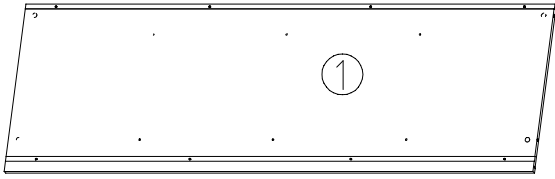




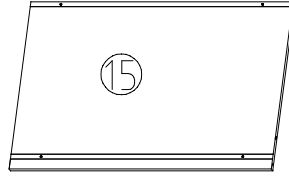
1761 x560x15



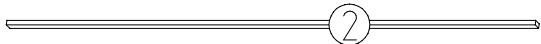
873 x560x15



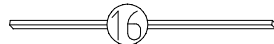
1761 x560x15



873 x560x15



1761 x33x15



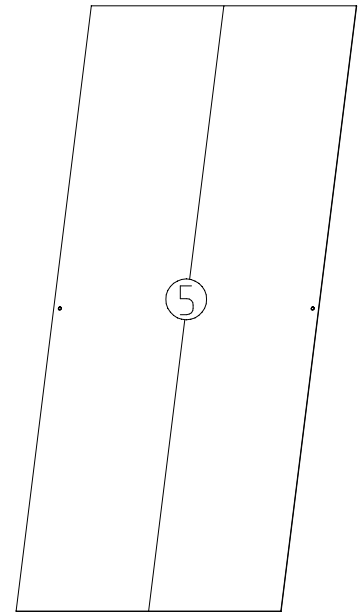
873 x33x15



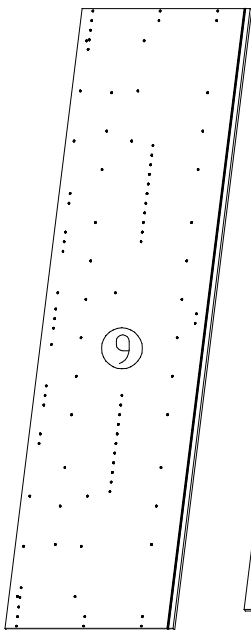
1761 x33x15



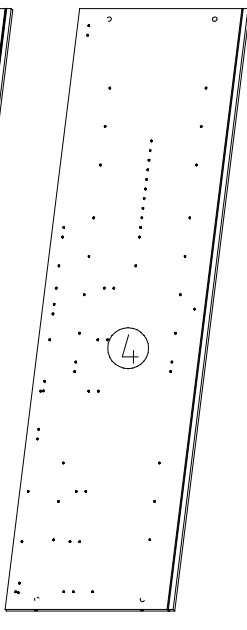
873 x33x15



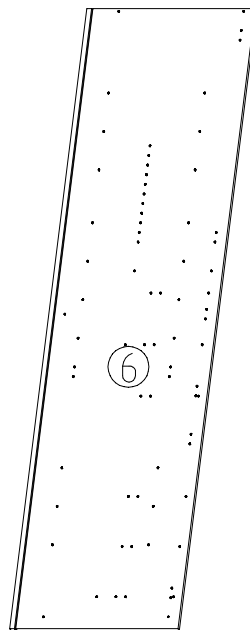
3x 2015x882x2,5



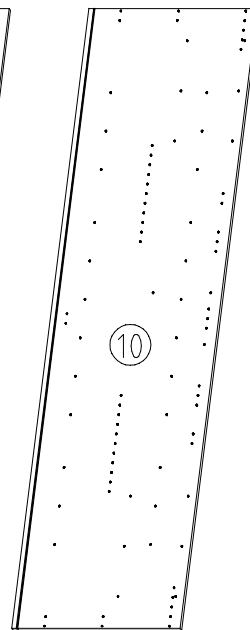
2064x560x15



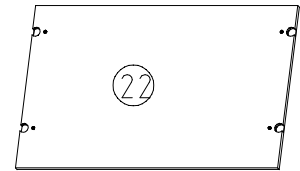
2001x560x15BB



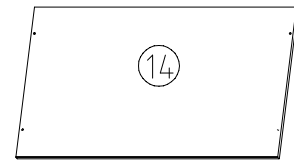
2064x560x15BB



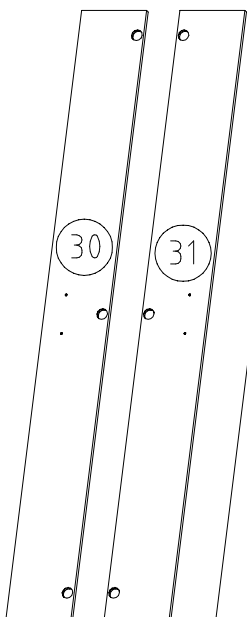
2064x560x15



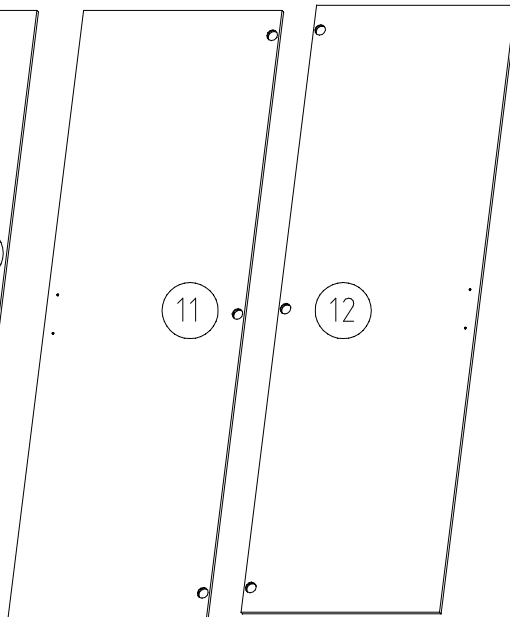
873x540x18



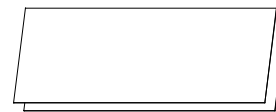
4x 873x500x15



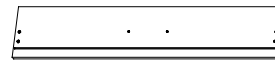
2021x217x15



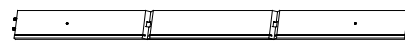
2021x661x15



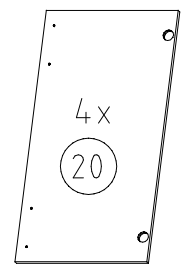
2x 25 852x439x2,5



2x 23 883x168x15

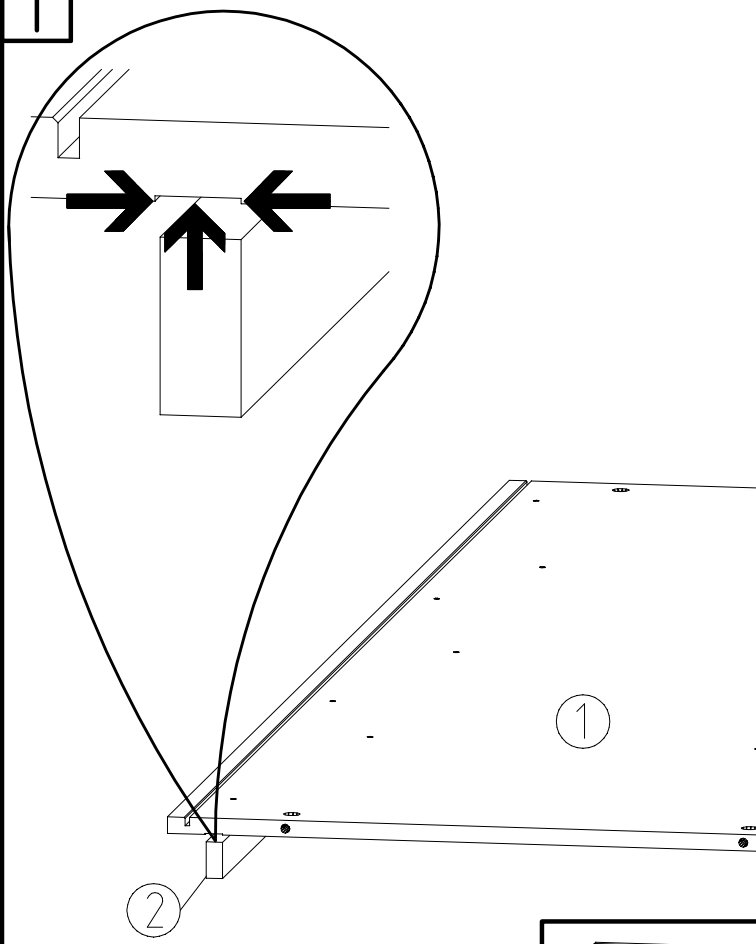


2x 24 439 / 866 / 439 x 92 x 12

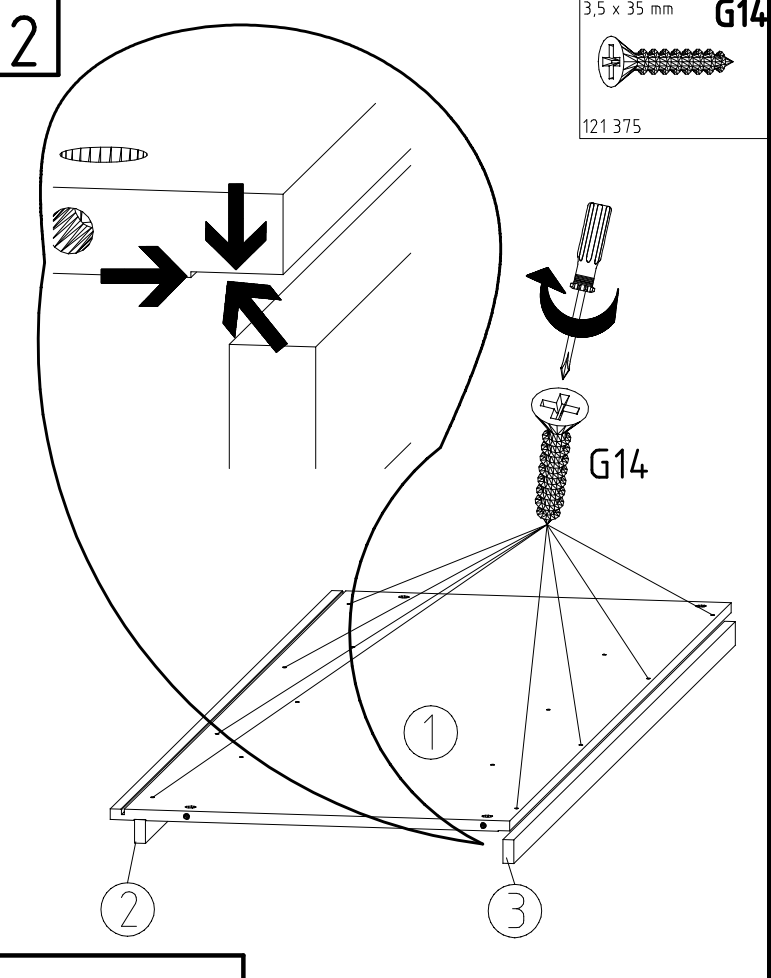


4x 837x439x15

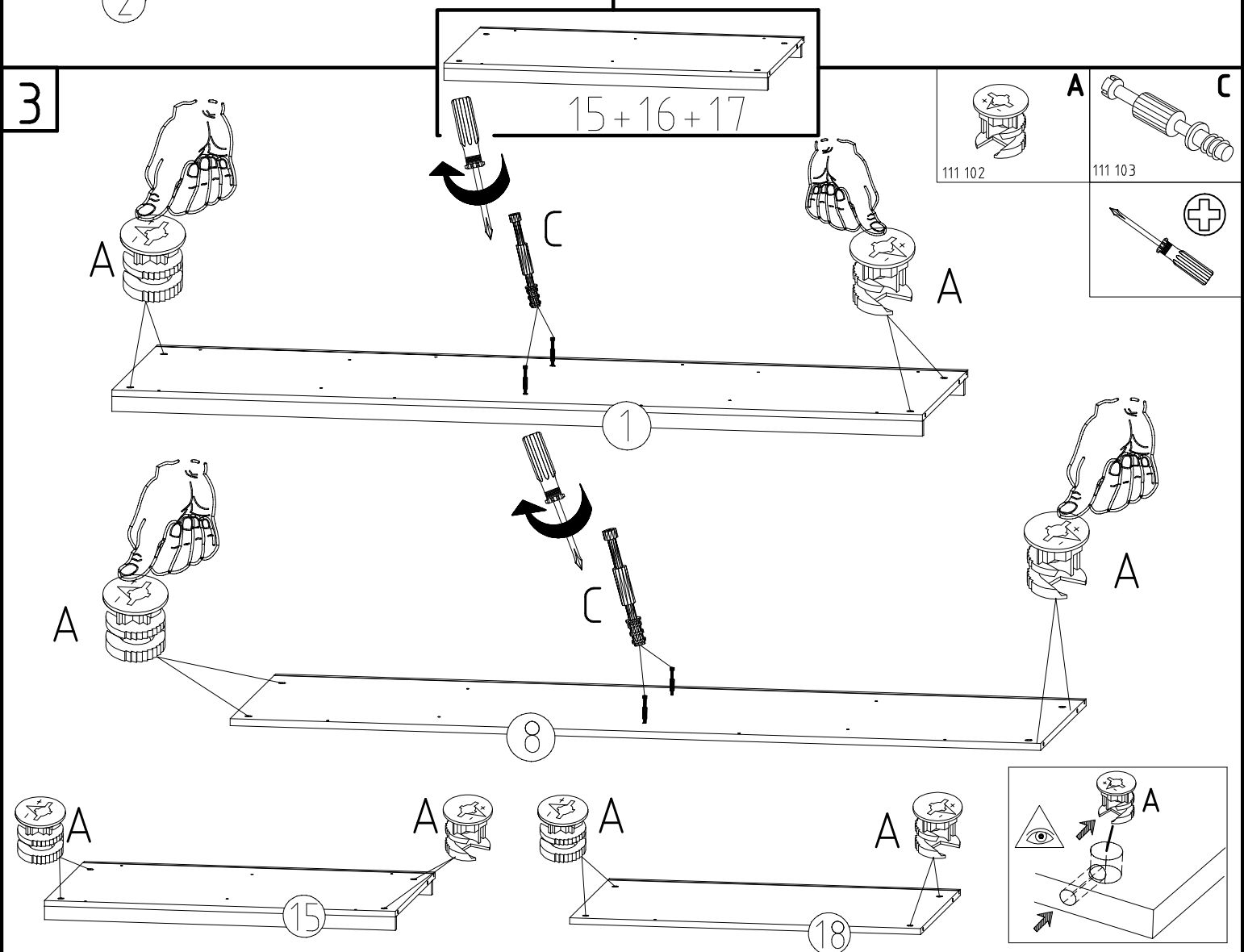
1



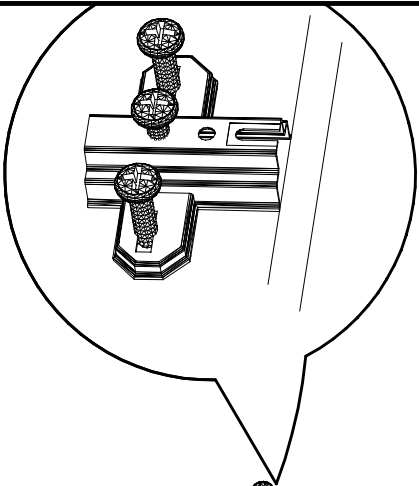
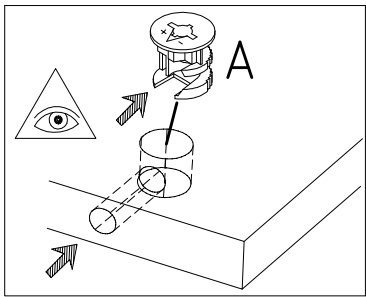
2

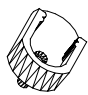
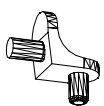
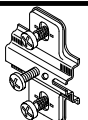
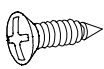
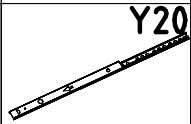
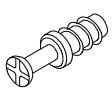
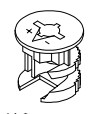
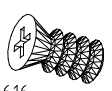


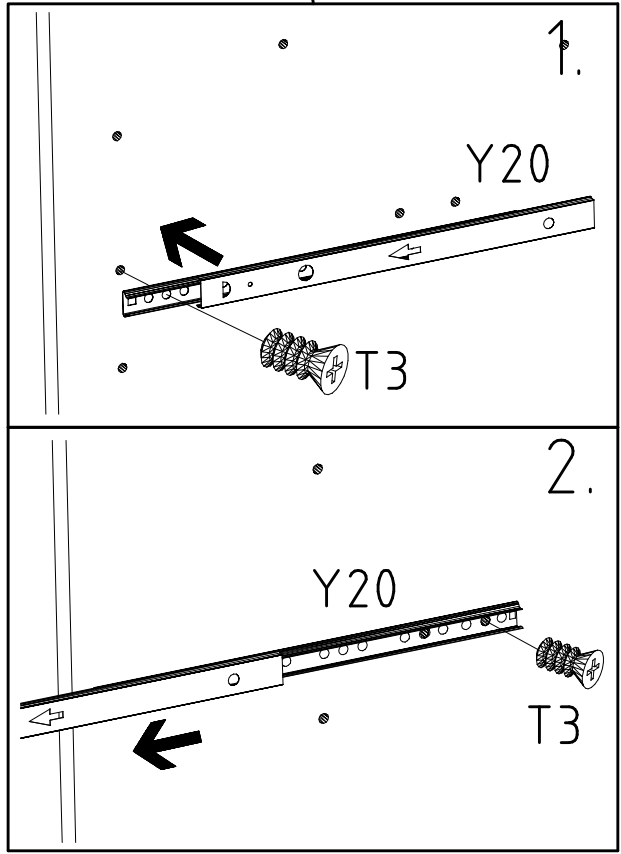
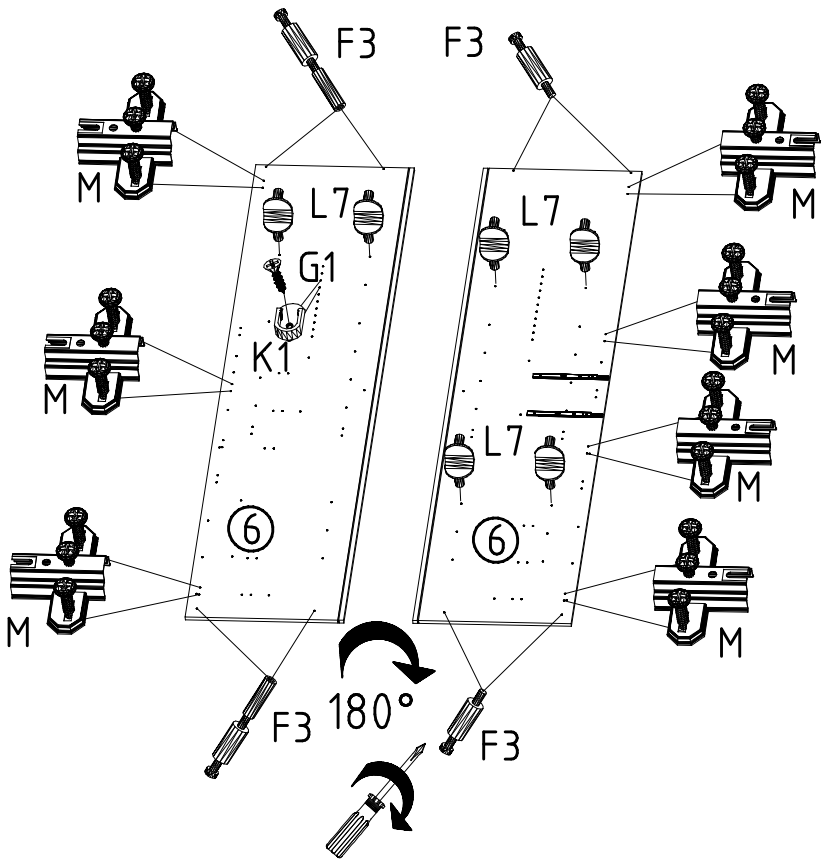
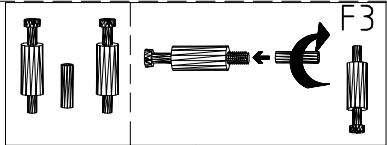
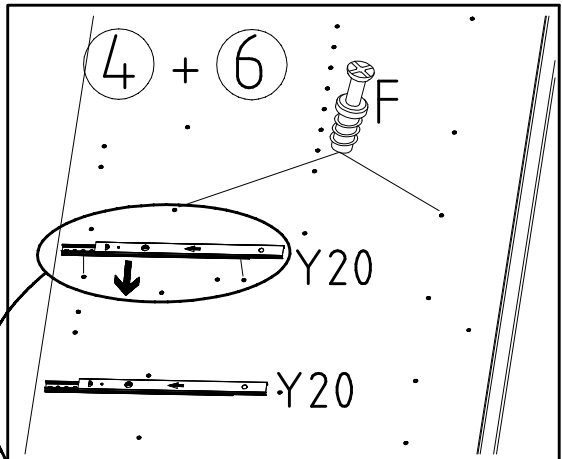
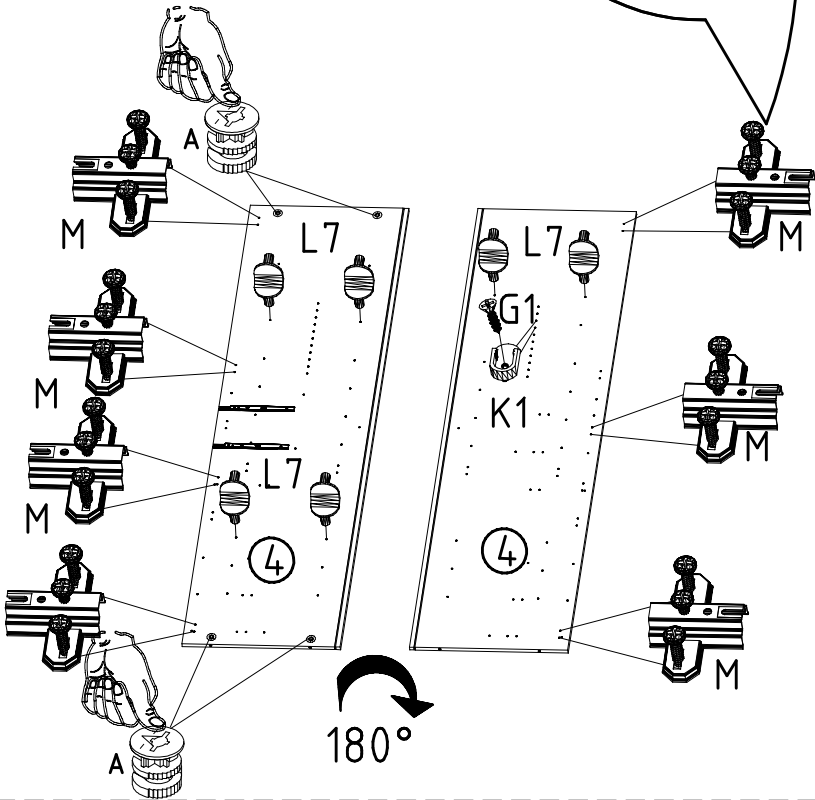
3



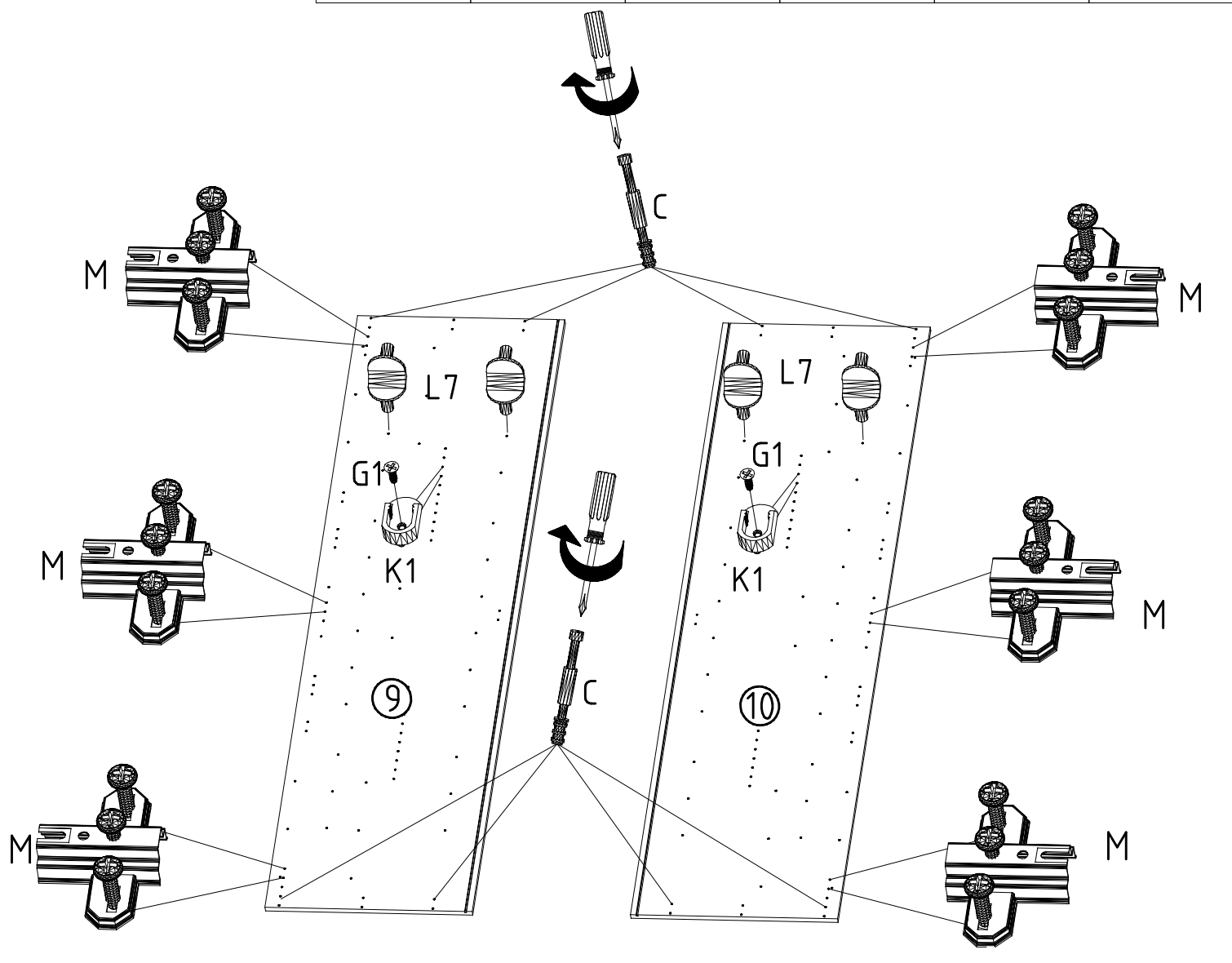
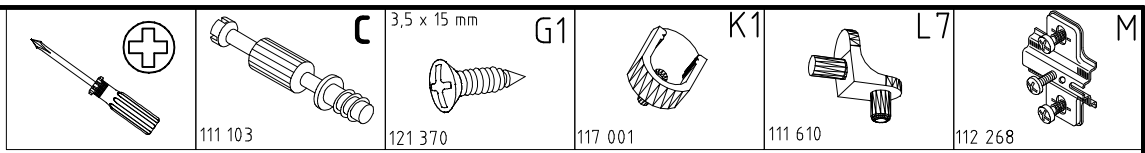
4



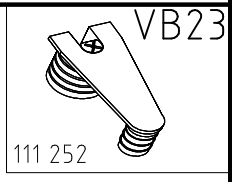
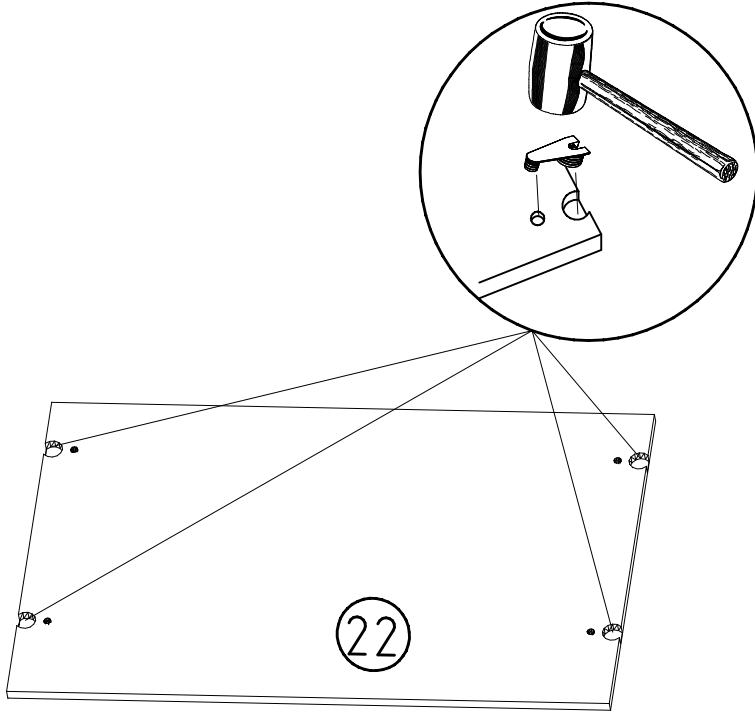
 117 001 3,5 x 15 mm	 111 610	 112 268
 121 370	 112 190	 111 229 M6 x 10
 111 102	 112 616	



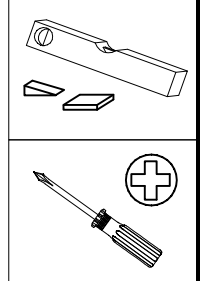
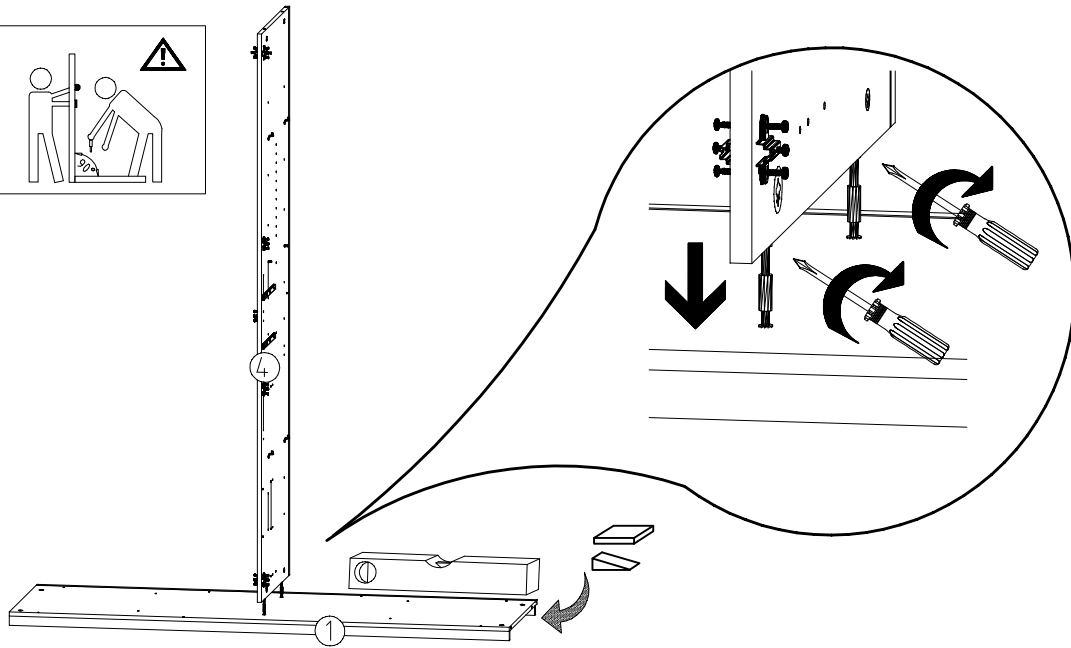
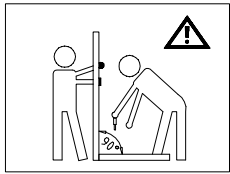
5



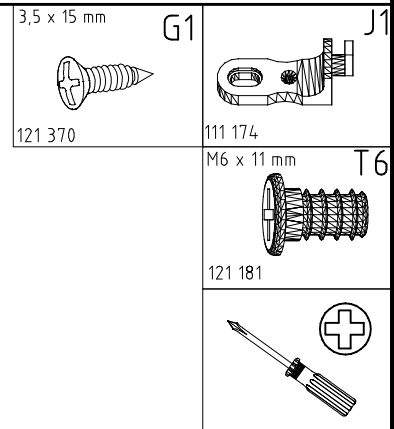
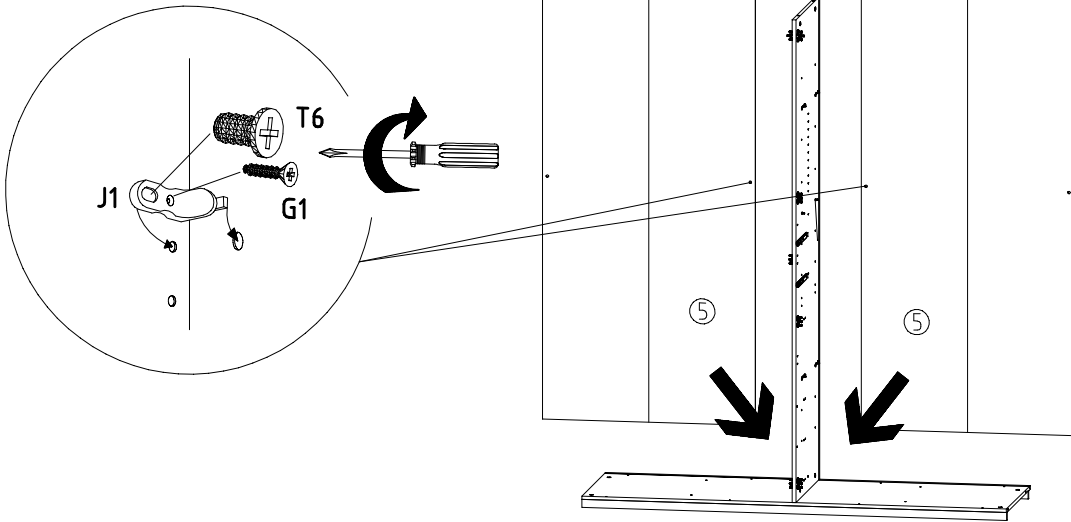
6



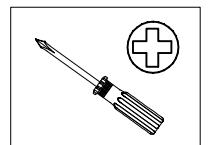
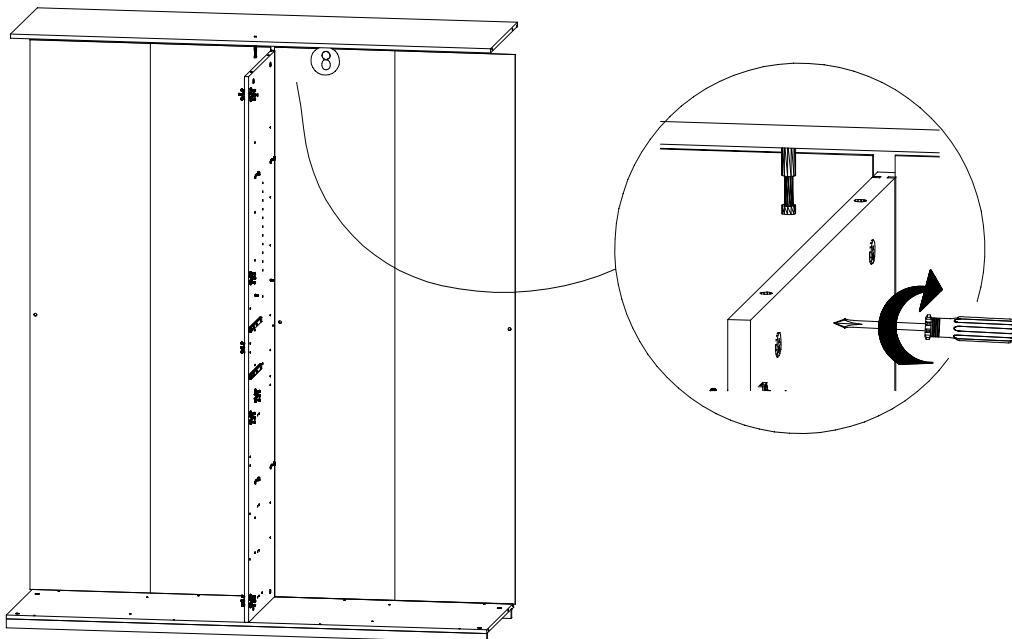
7



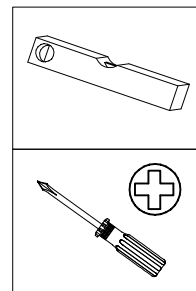
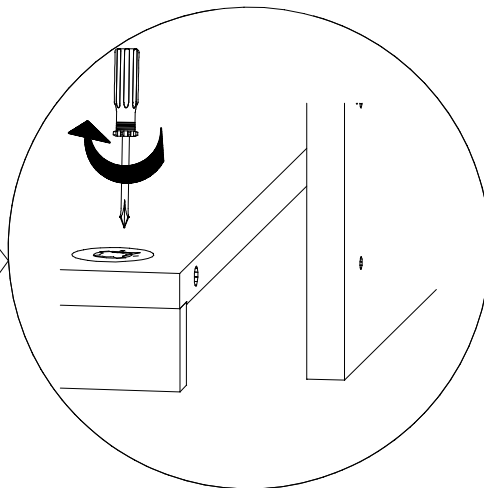
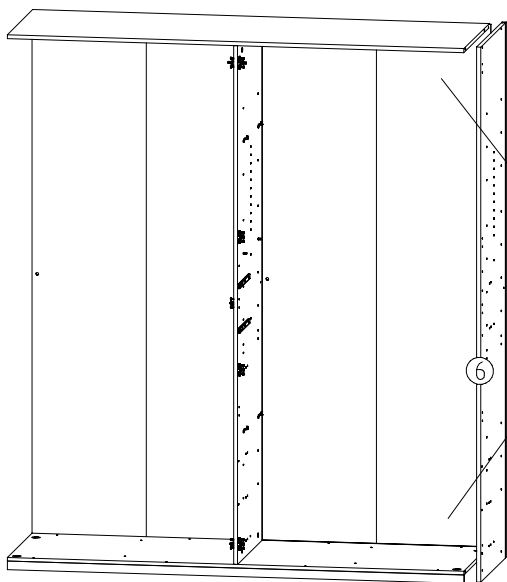
8



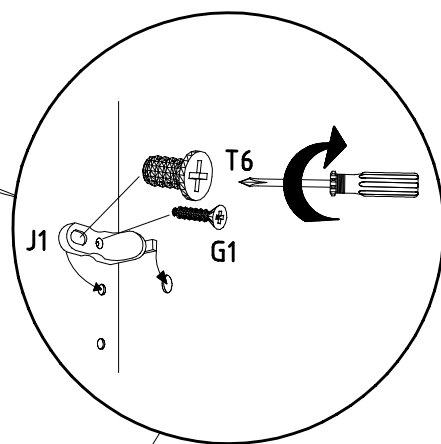
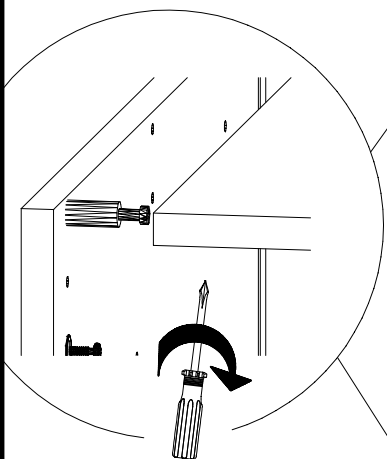
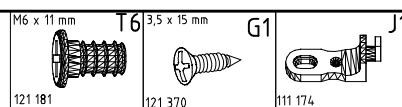
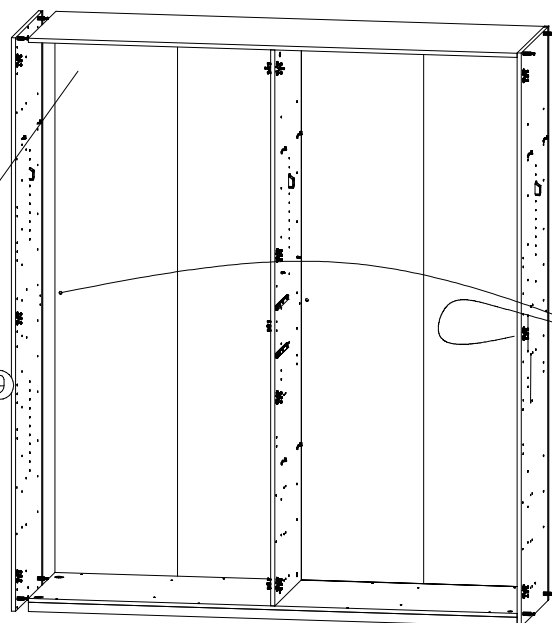
9



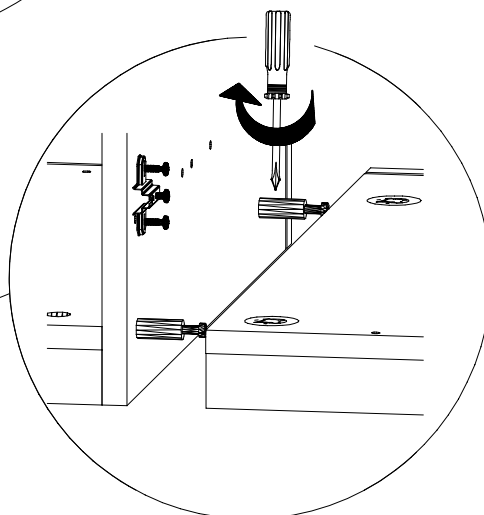
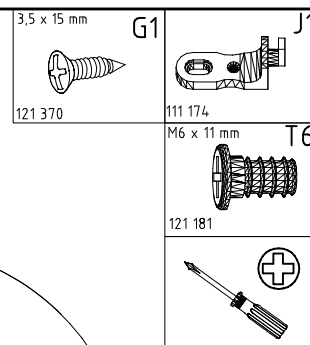
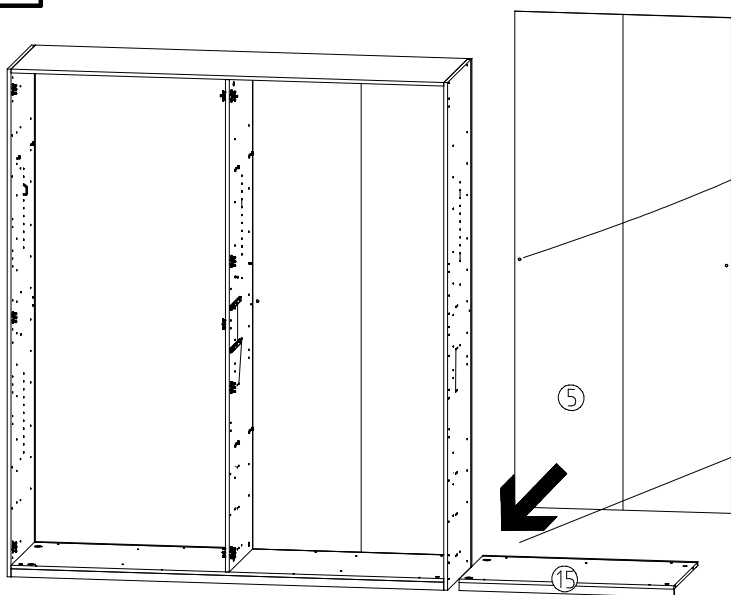
10



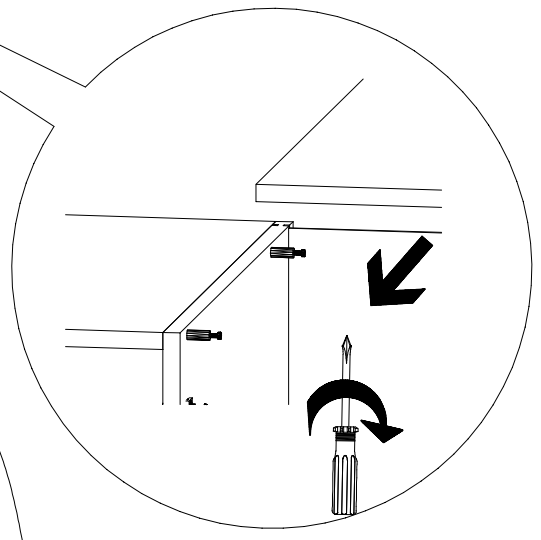
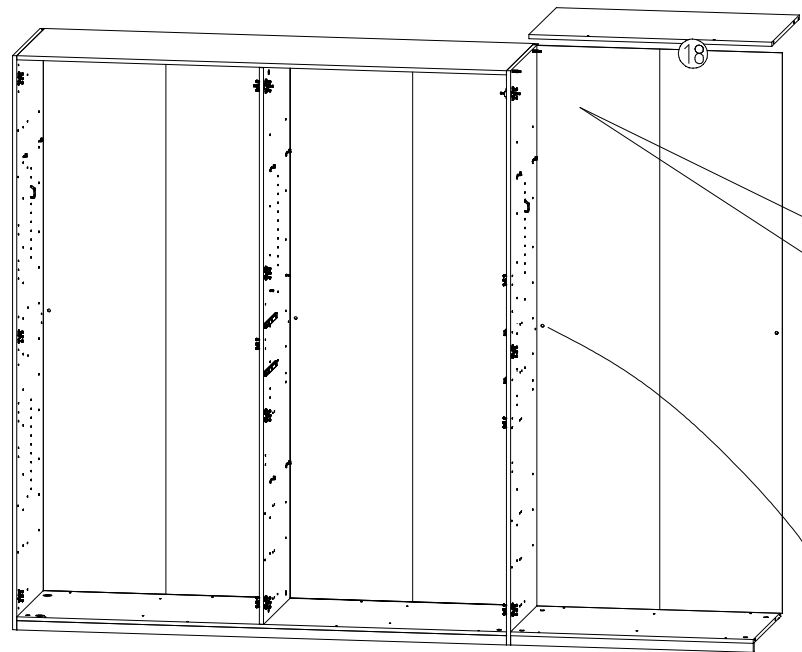
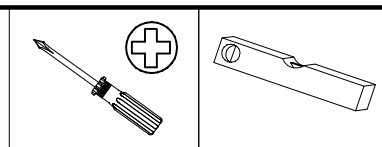
11



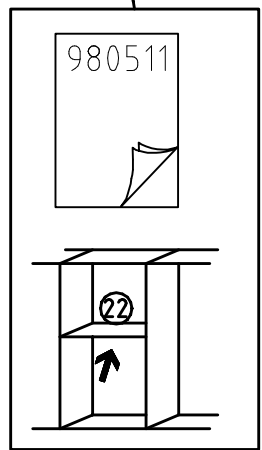
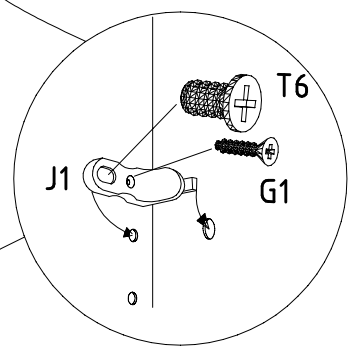
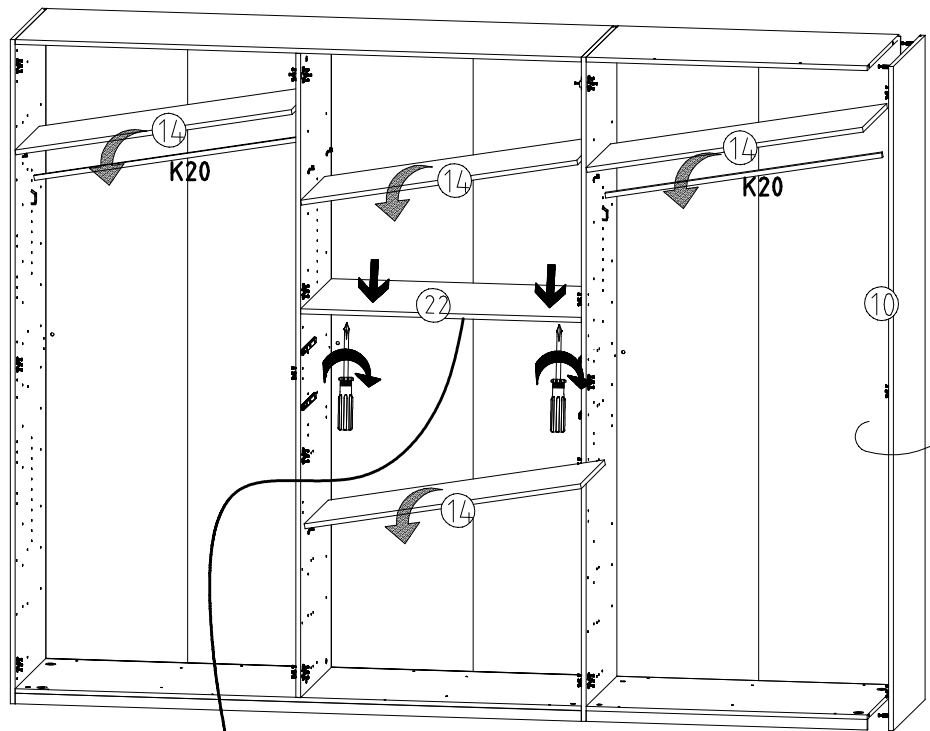
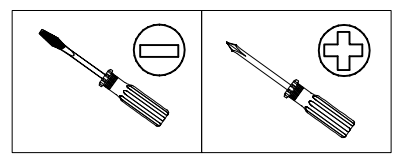
12



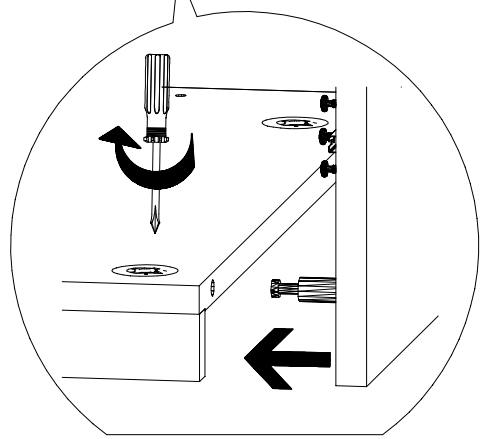
13



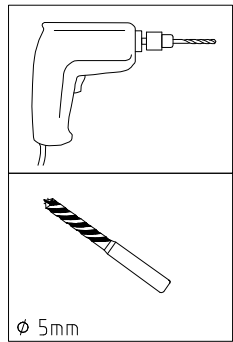
14



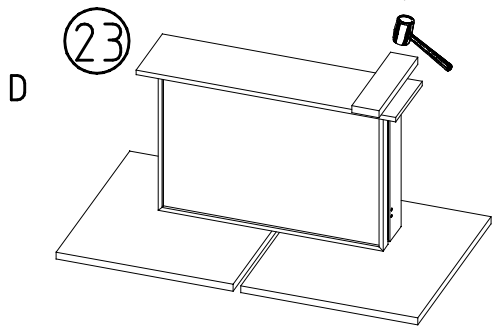
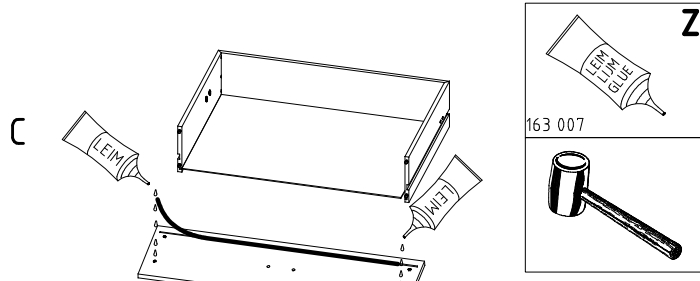
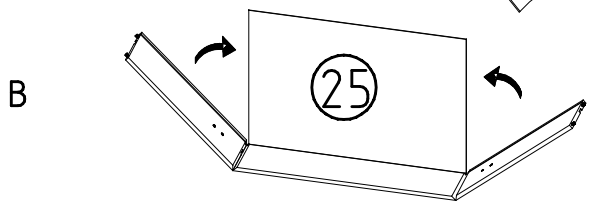
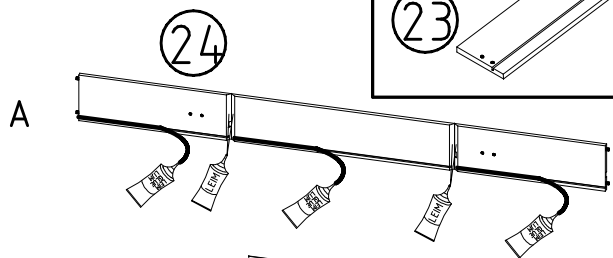
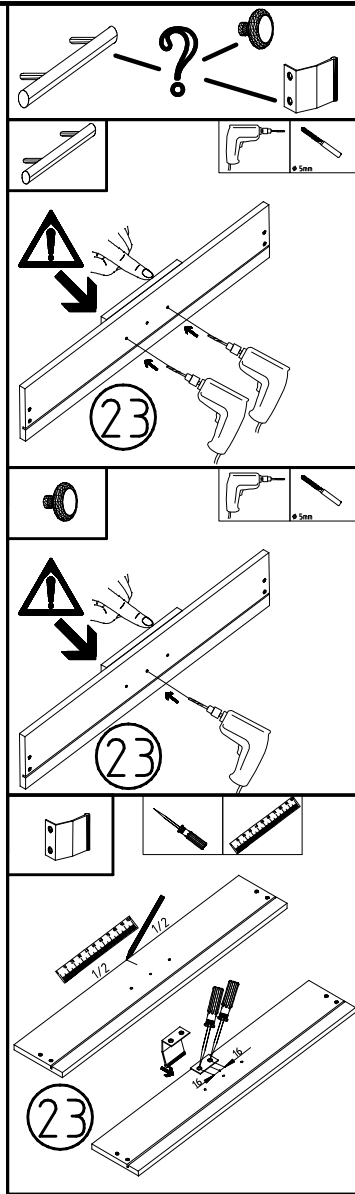
- K20**
870mm
- 112 402
- J1**
111 174
M6 x 11 mm
- T6**
121 181
3,5 x 15 mm
- G1**
121 370



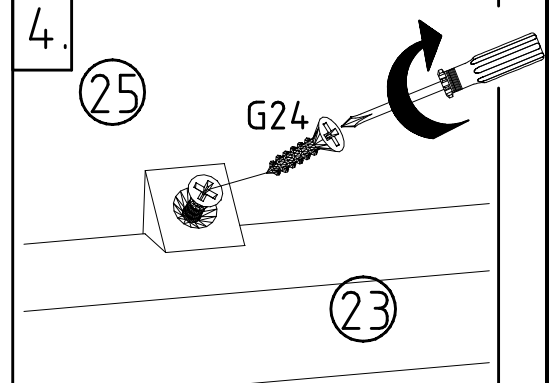
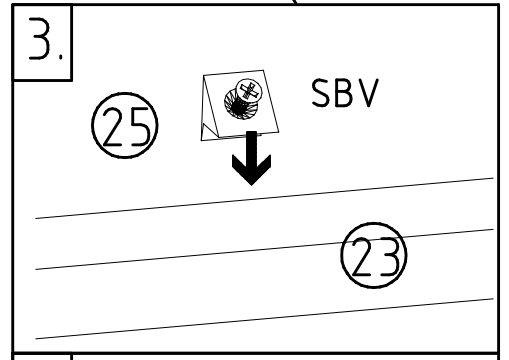
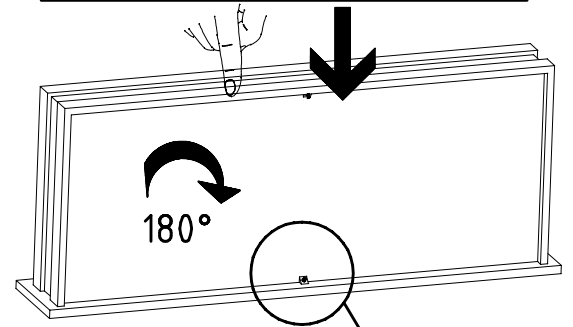
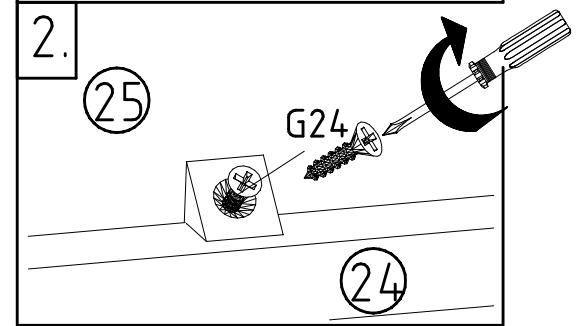
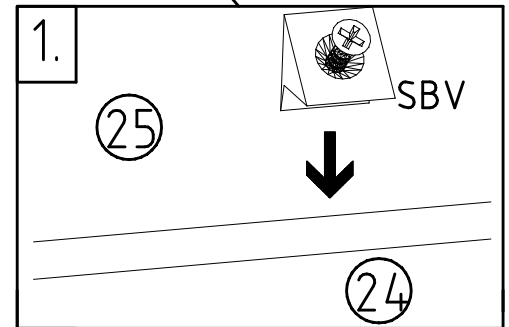
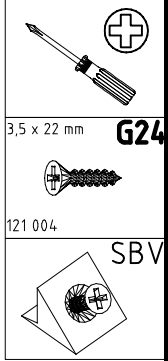
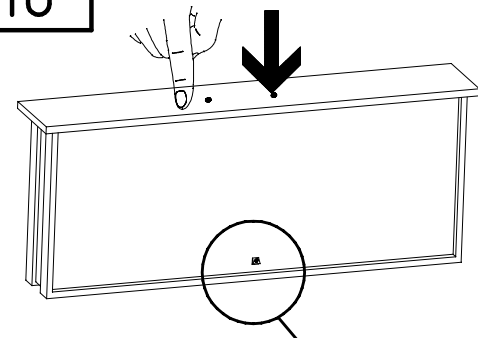
15

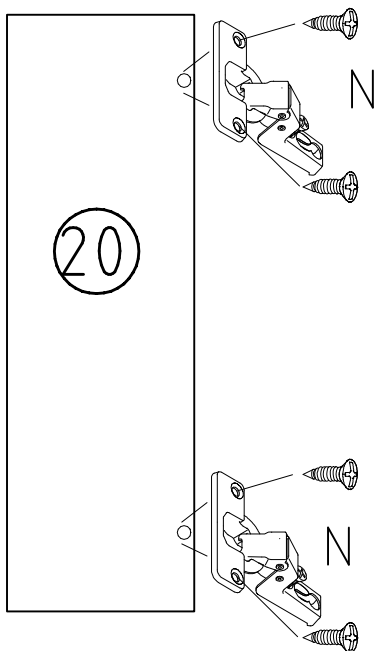
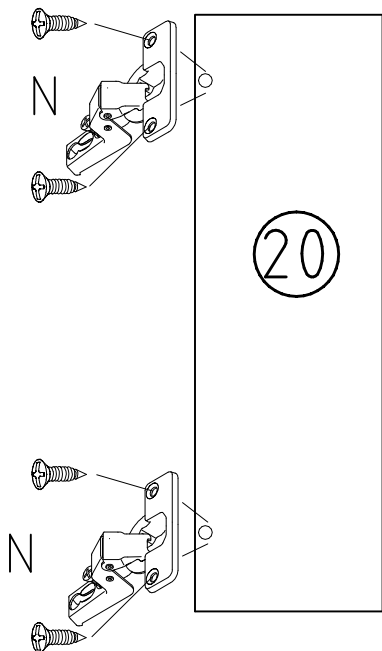
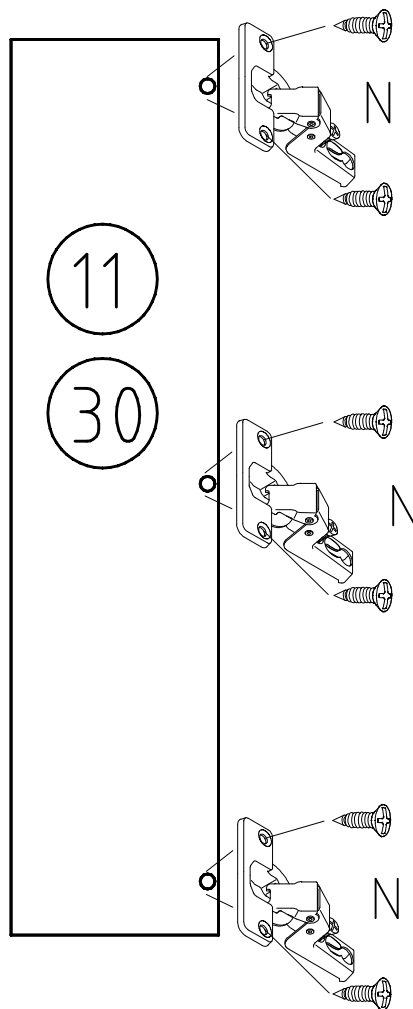
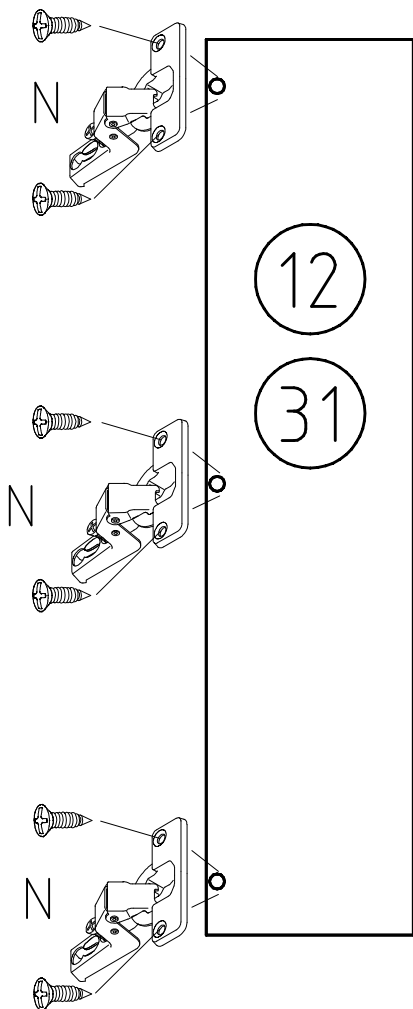
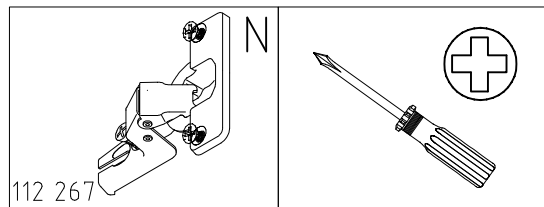
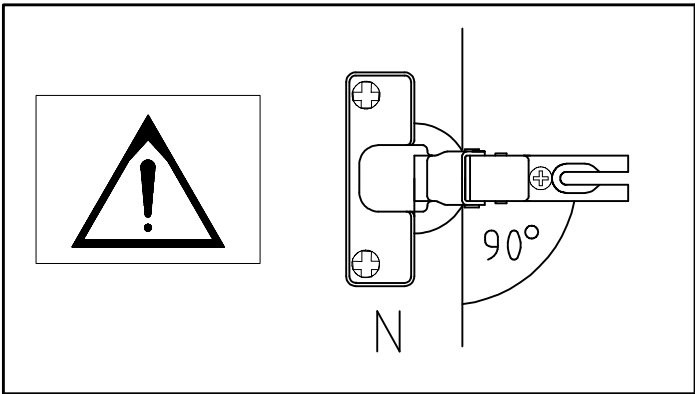


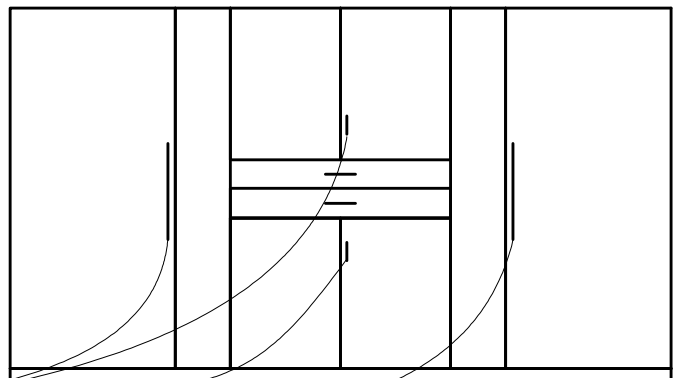
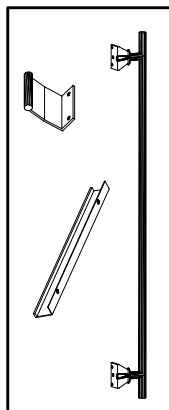
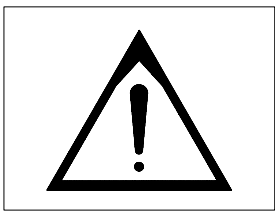
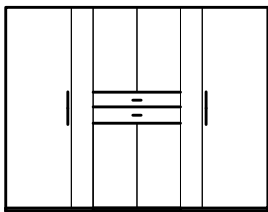
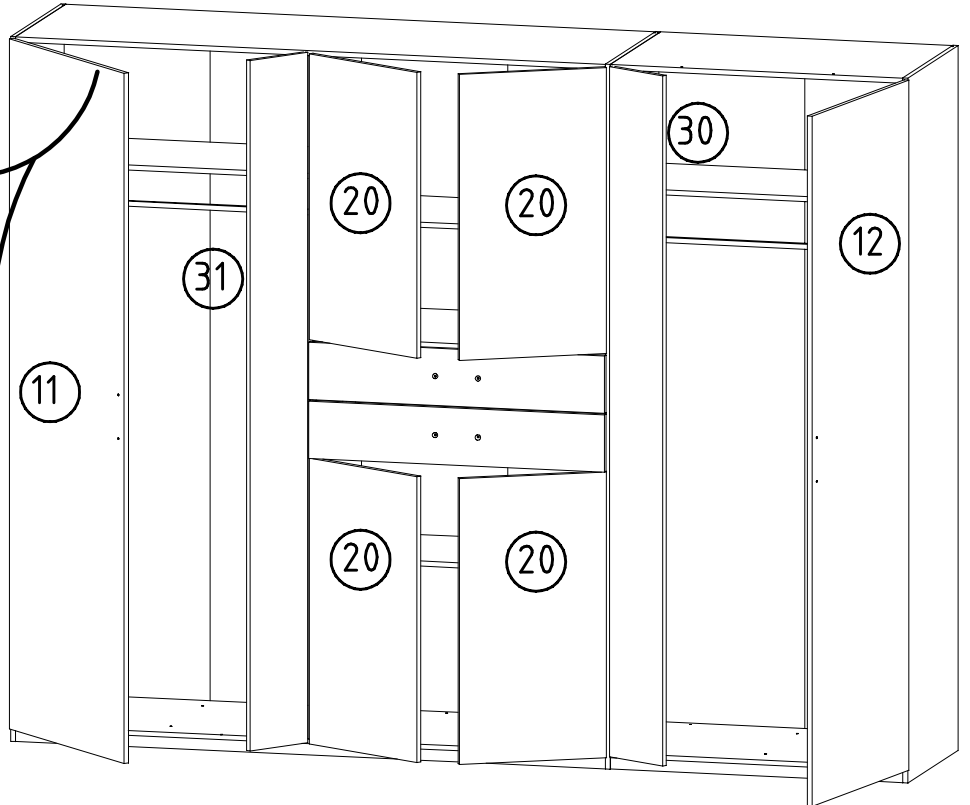
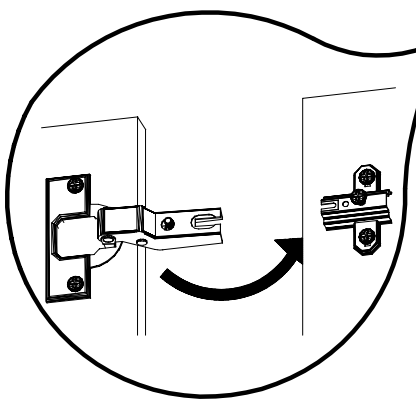
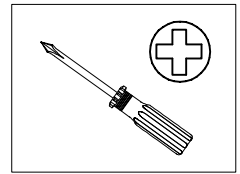
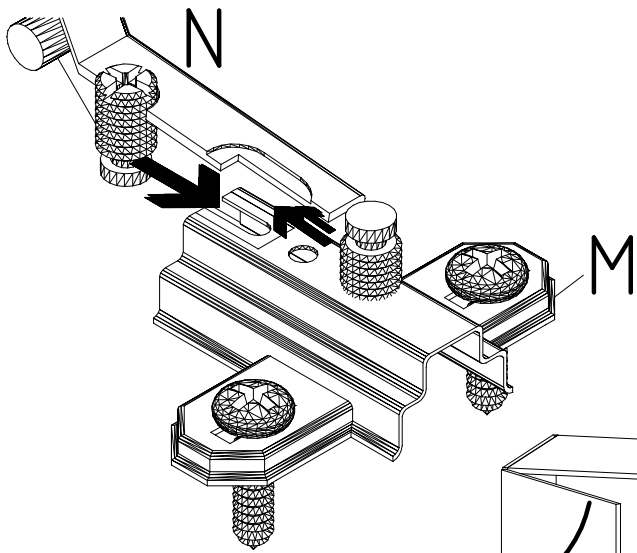
∅ 5mm

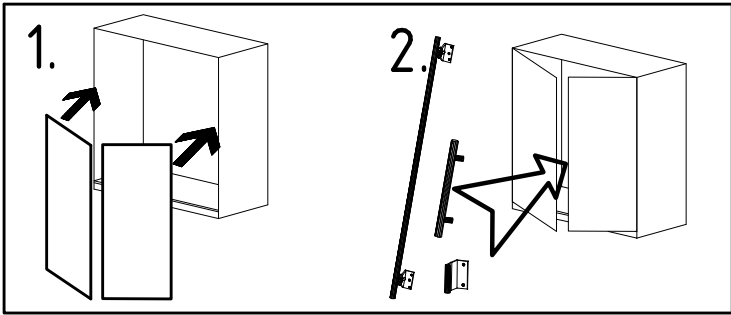
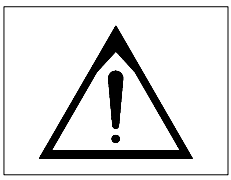


16

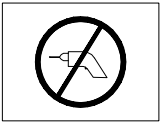
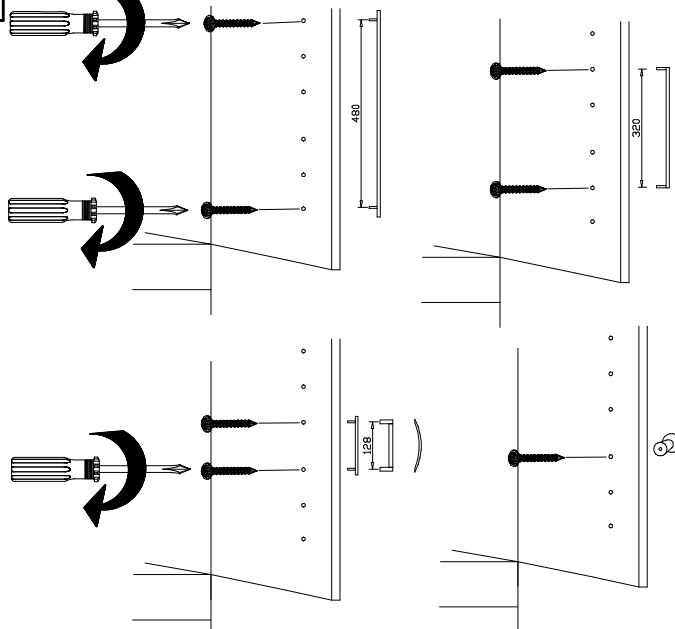
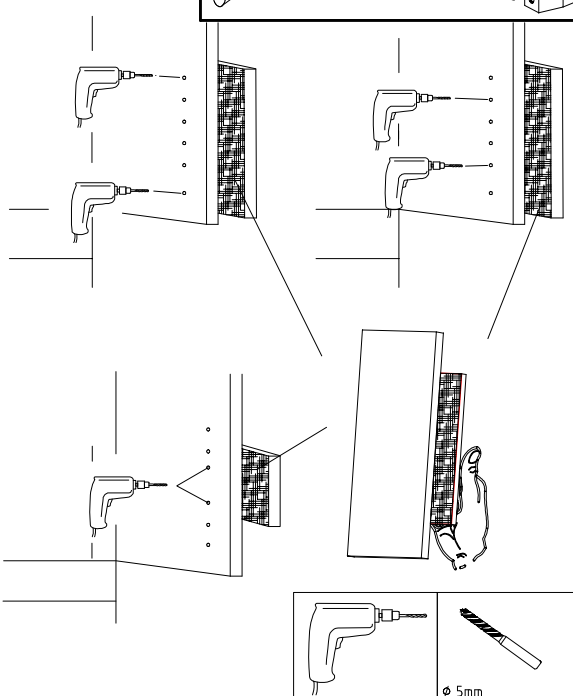
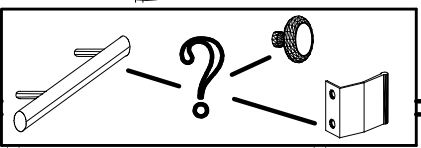
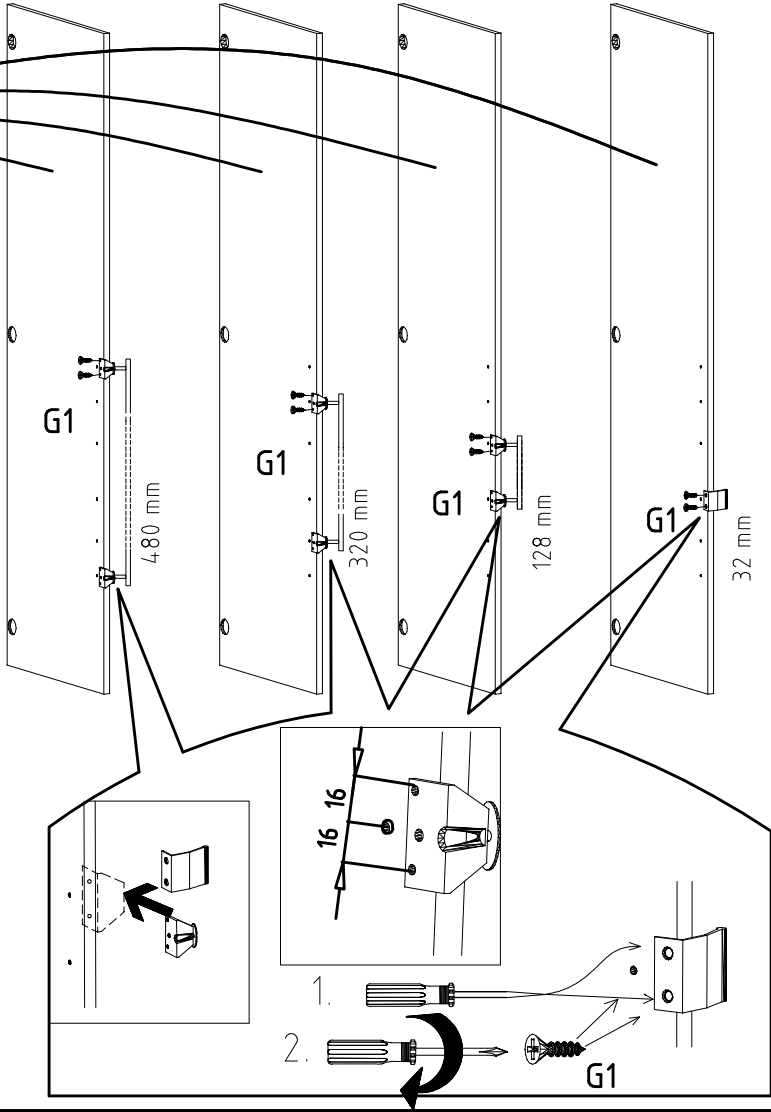
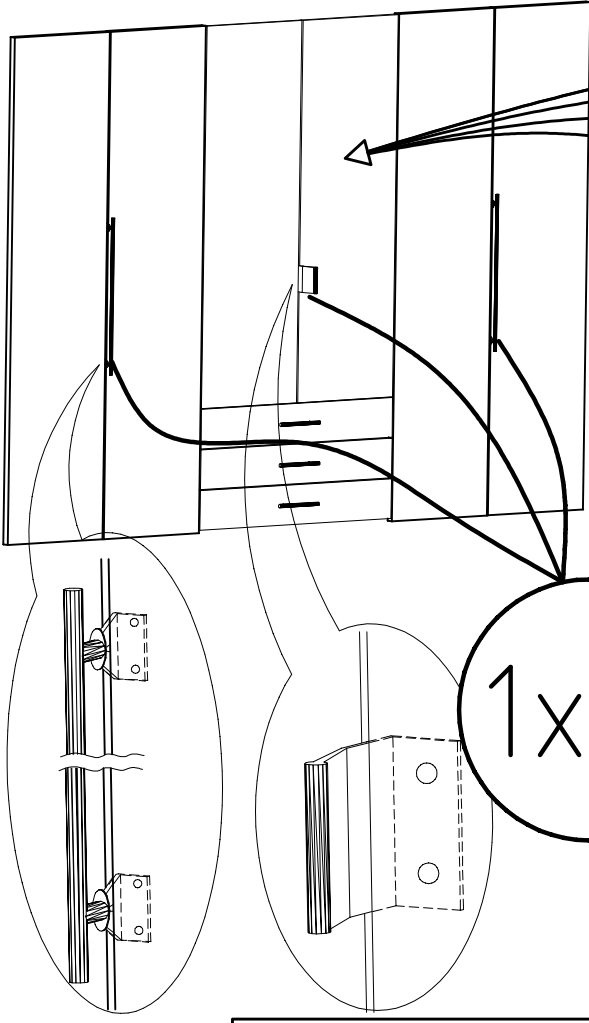








3,5 x 15 mm 121 370	G1	4,0 x 12 mm 122 625	G56
------------------------	----	------------------------	-----



	SP27
4 X 27mm	
122620	
4,0x22	G49
122 609	

