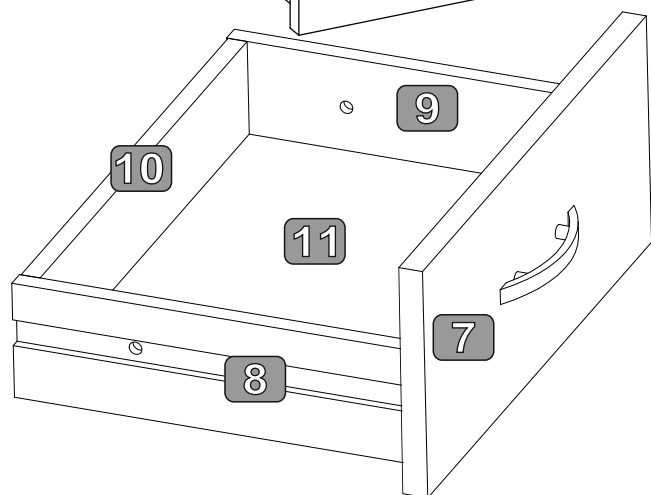
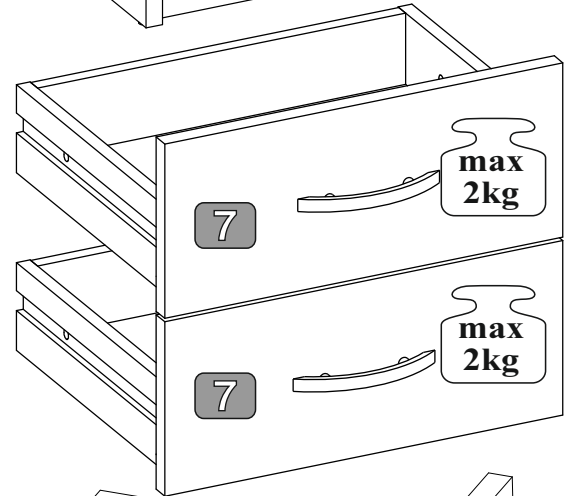
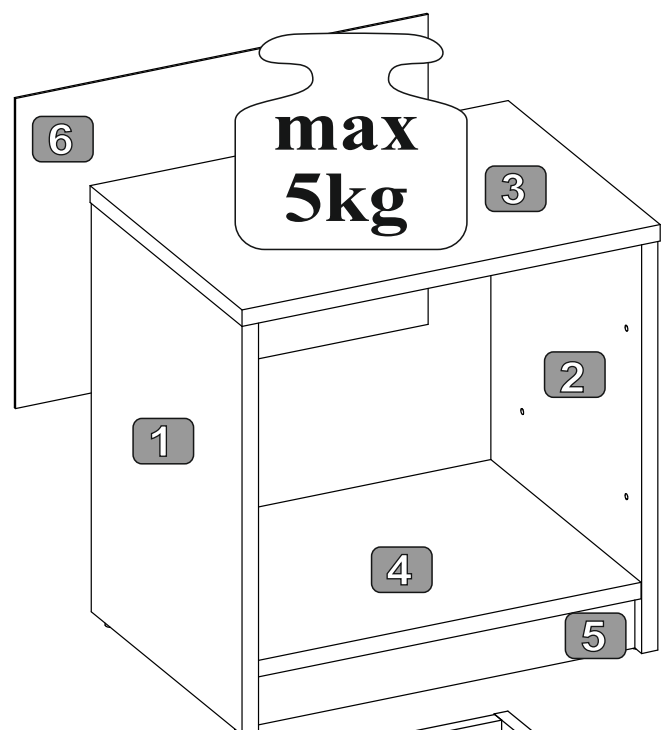
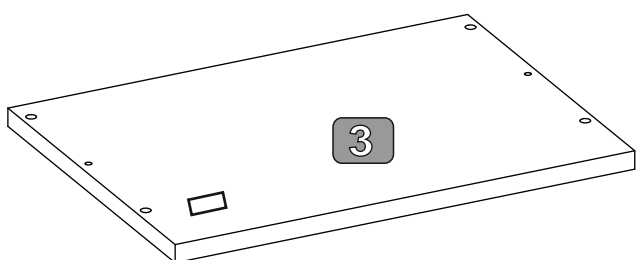
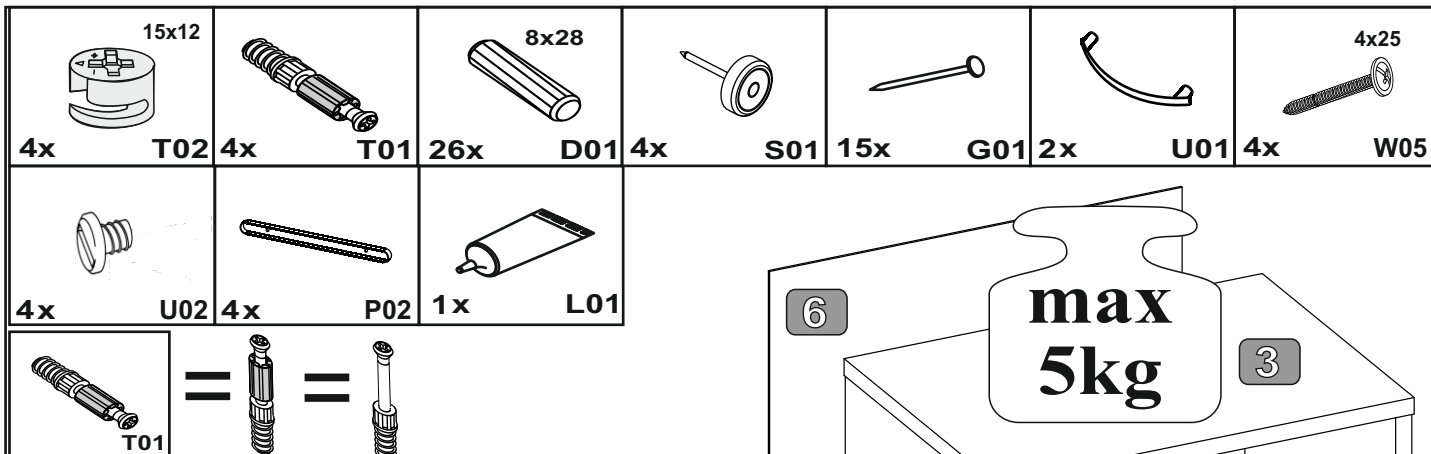
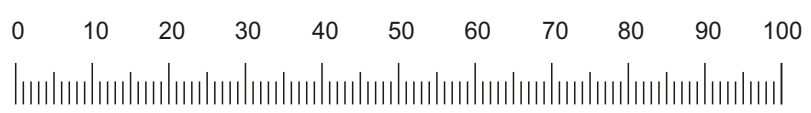


100% COTTON



NR	DIM	QTE	COLLI
1	370x278x15	1	1/1
2	370x278x15	1	1/1
3	385x280x15	1	1/1
4	353x277x15	1	1/1
5	353x49x15	1	1/1
6	380x280x2	1	1/1
7	347x149x15	2	1/1
8	246x75x12	2	1/1
9	246x75x12	2	1/1
10	321x75x12	2	1/1
11	332x246x2	2	1/1



1

8x28	
16x	1x
D01	L01



A

L01

D01

[2x]

[2x]

[2x]

[2x]

D01

D01

D01

D01

D01

D01

L01

7

[2x]

[2x]

[2x]

8

10

9

11

[2x]

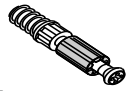
1h

[2x]

7

2

4x T01



10x D01



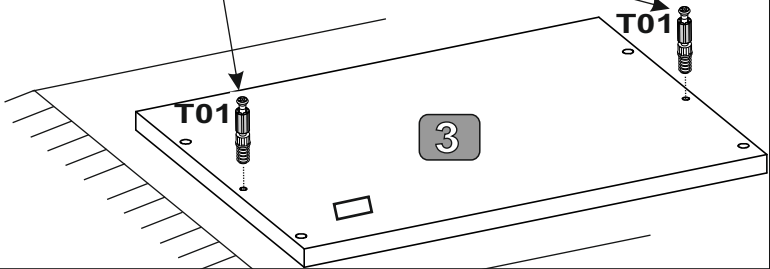
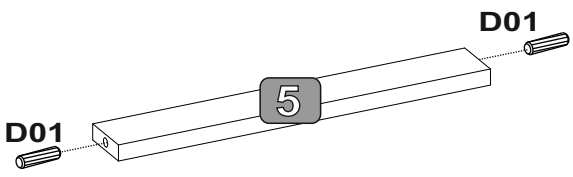
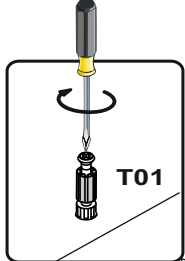
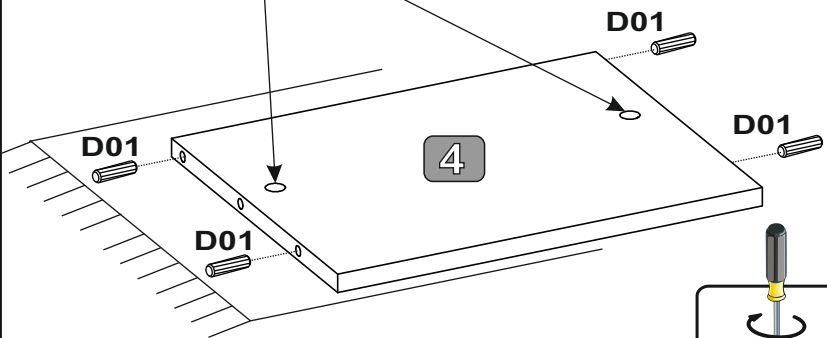
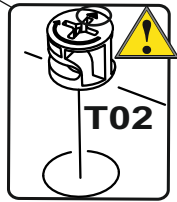
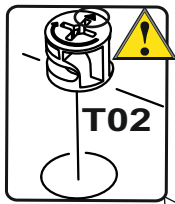
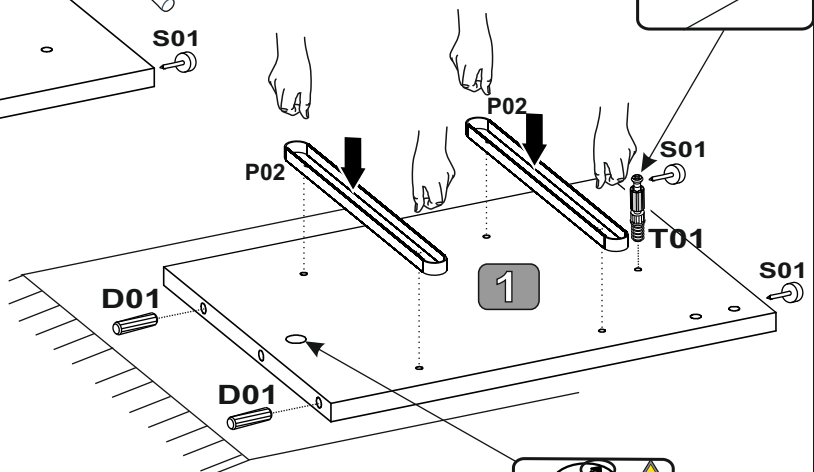
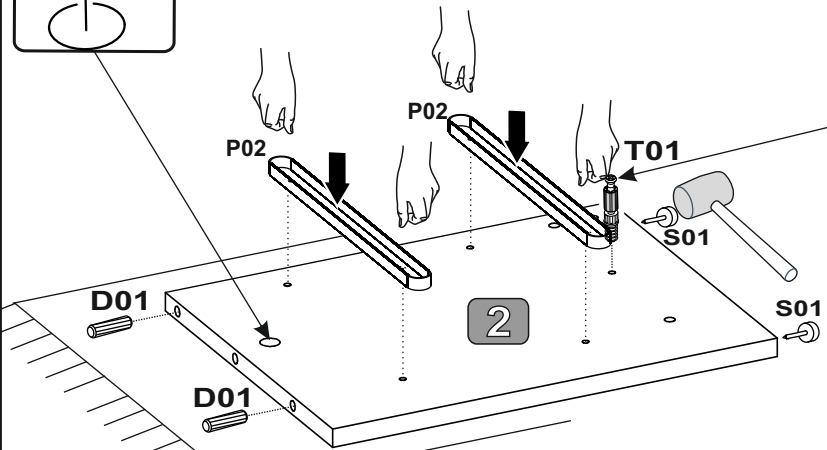
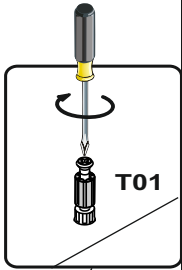
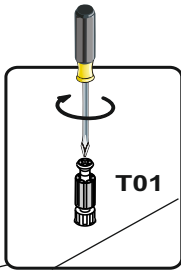
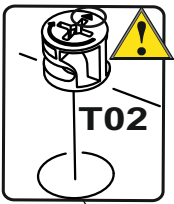
4x S01



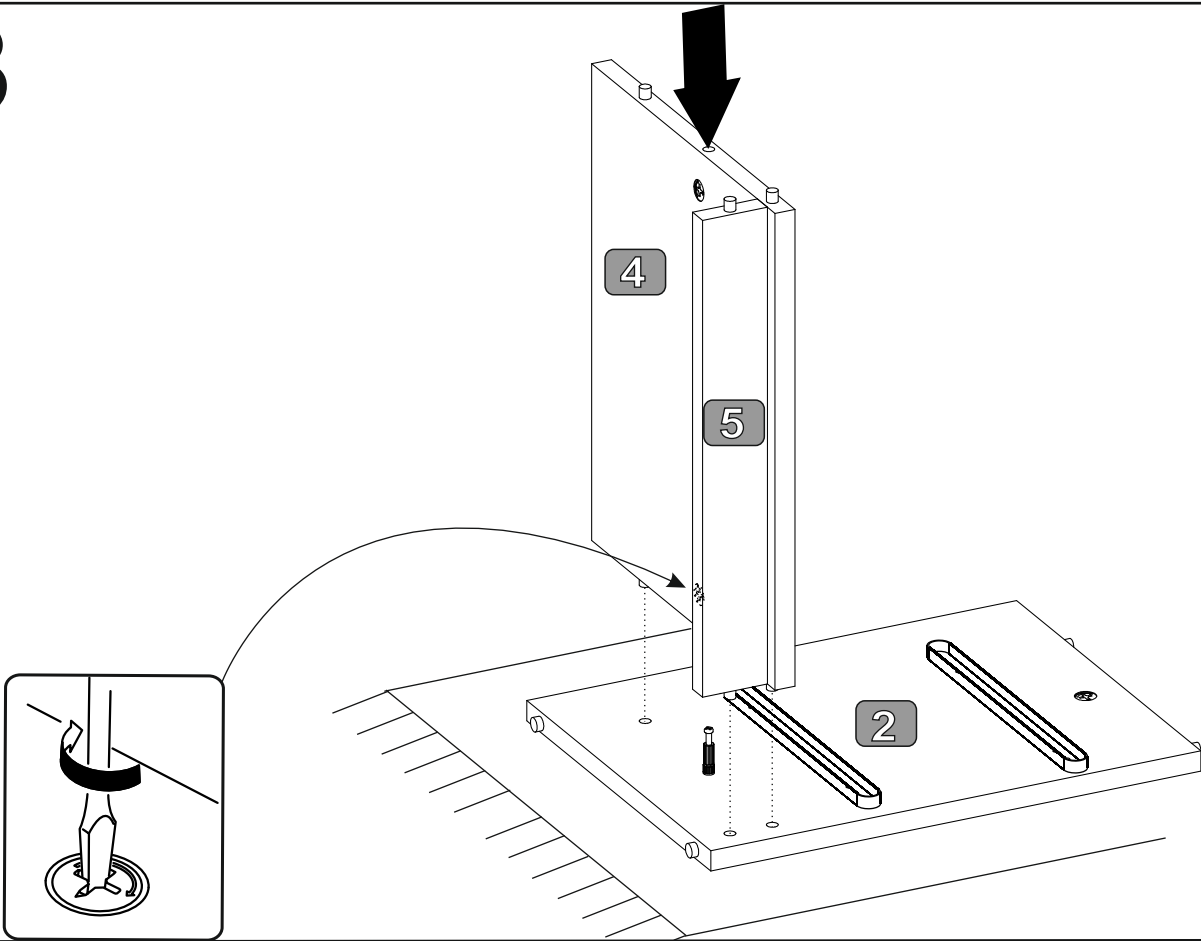
4x P02



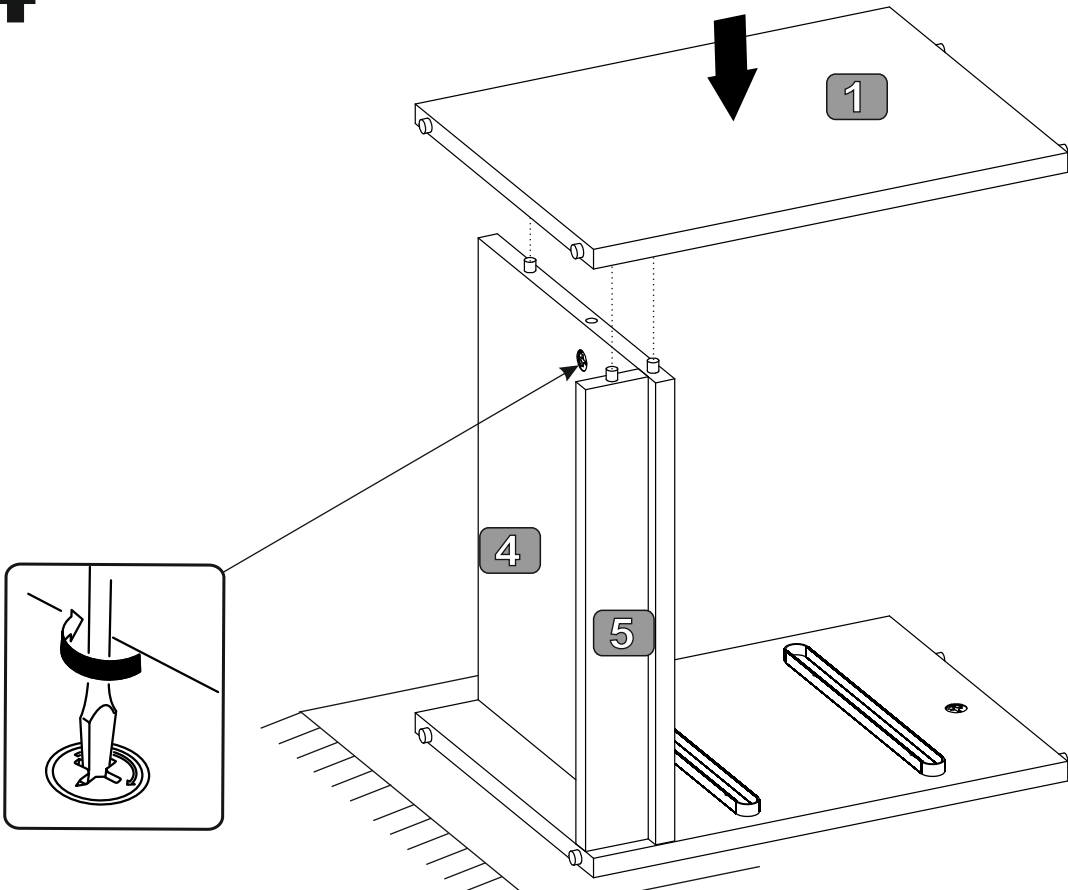
4x T02



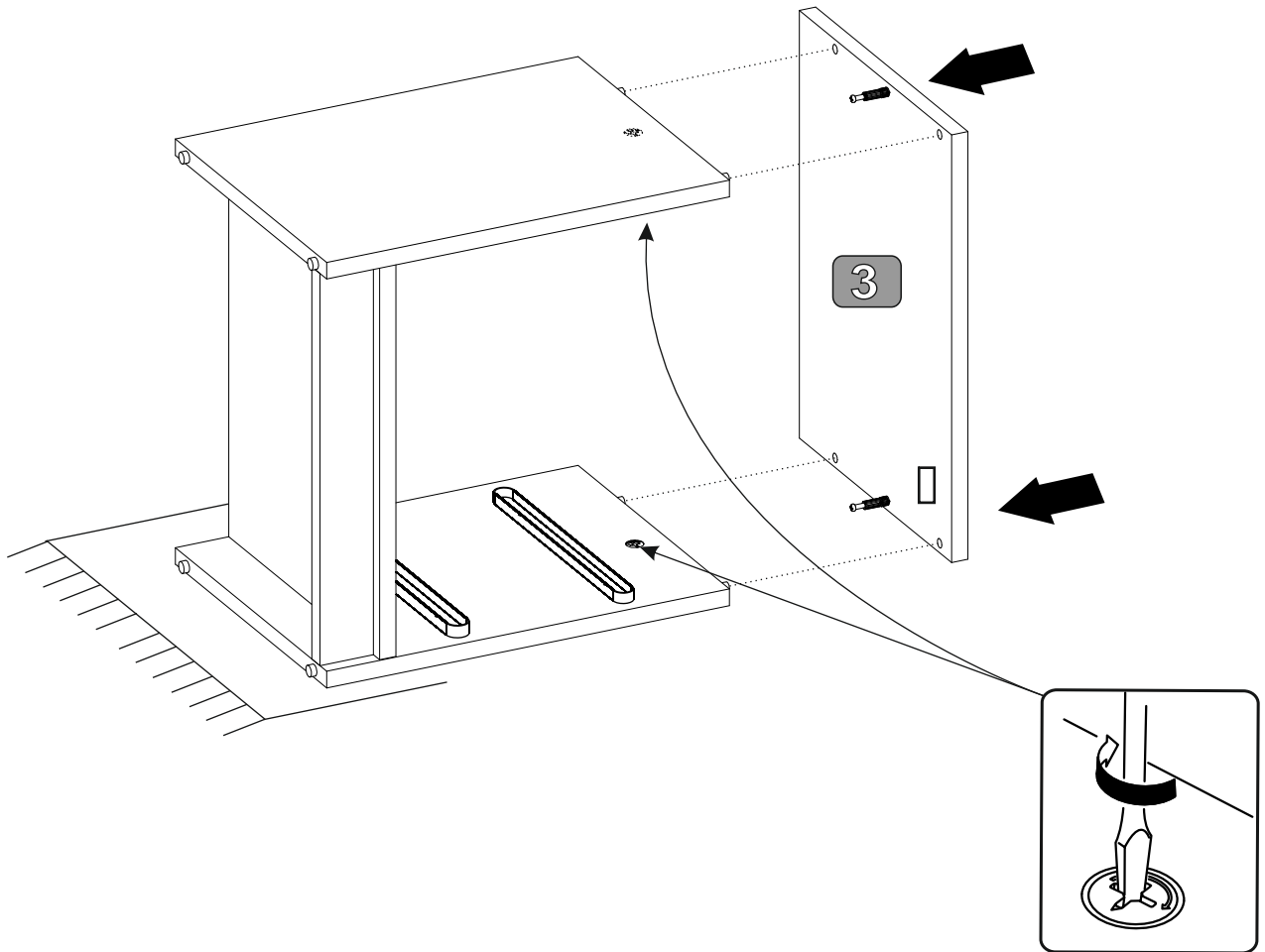
3



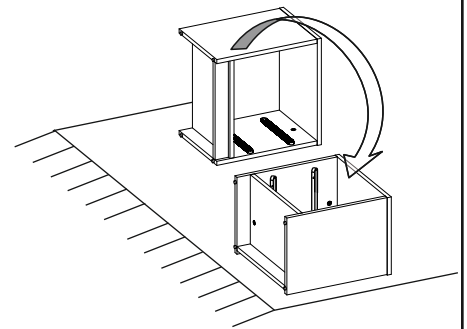
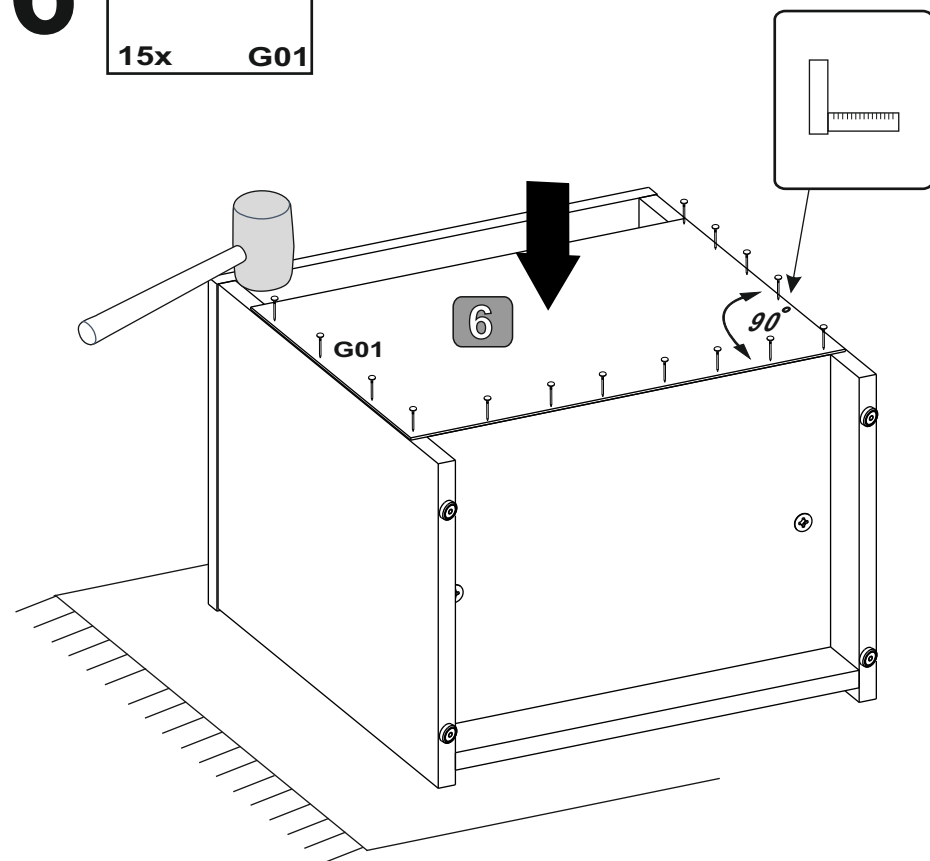
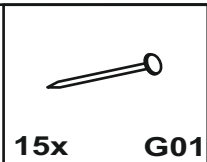
4



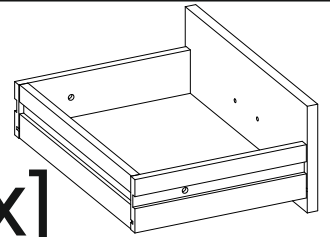
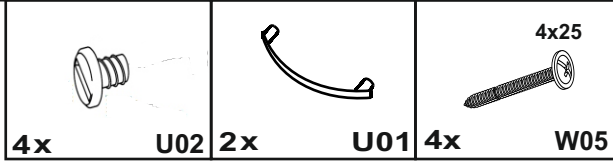
5



6

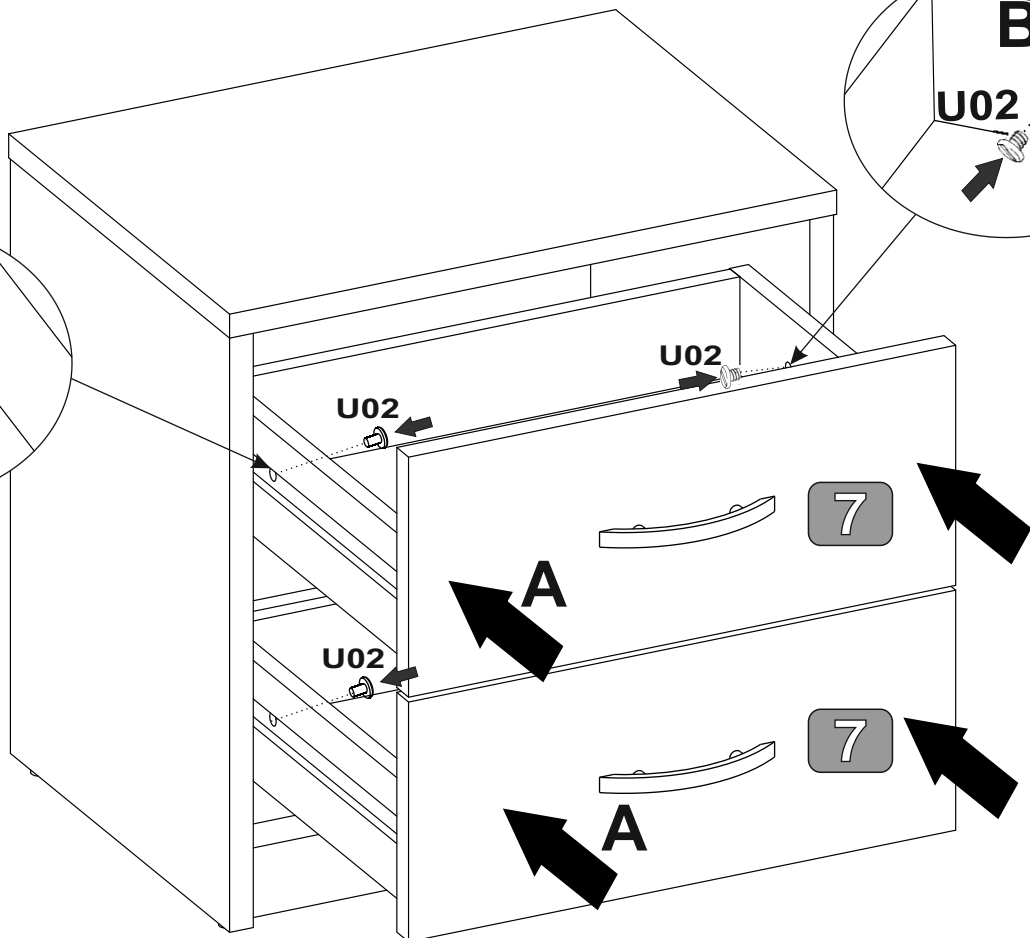
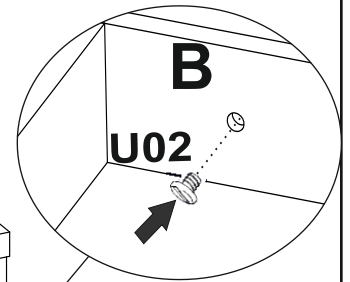
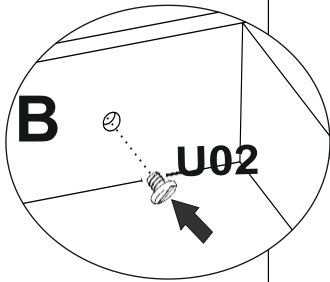
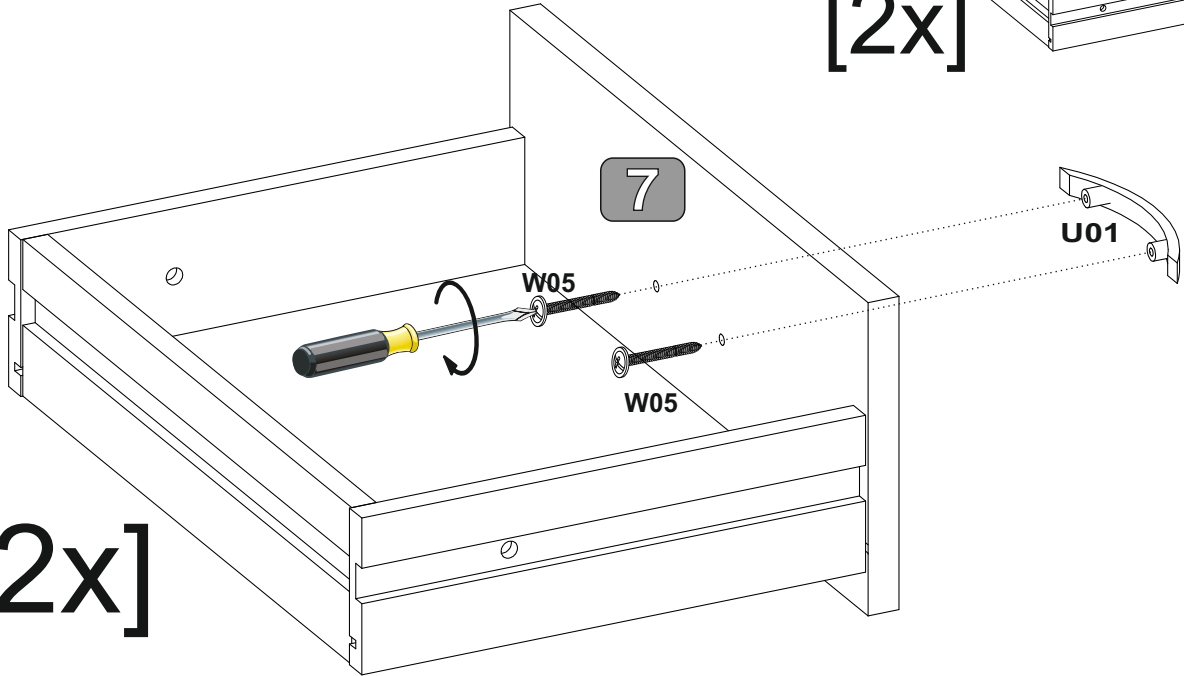


7



[2x]

[2x]



8

