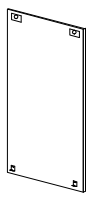
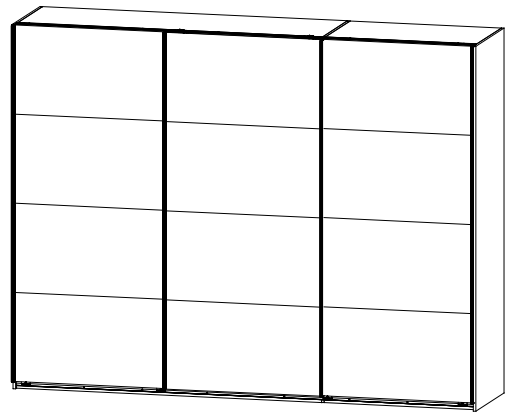
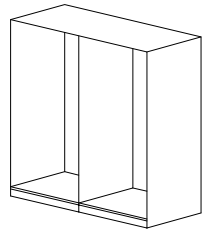


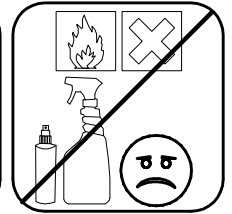
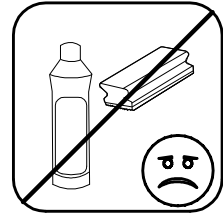
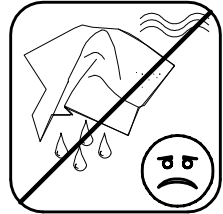
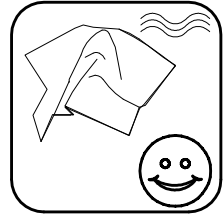
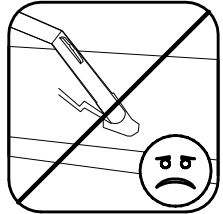
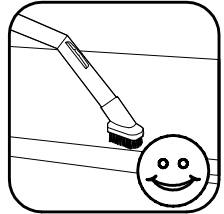
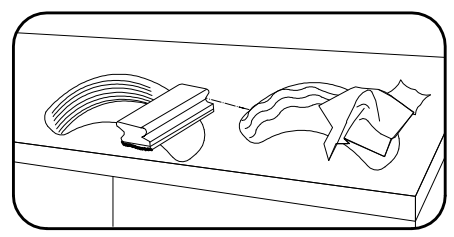
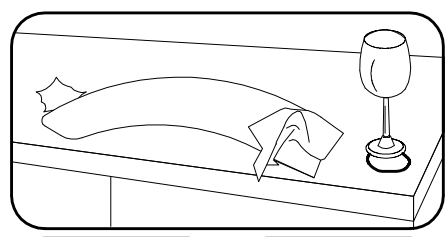
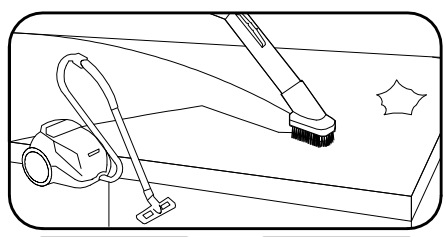
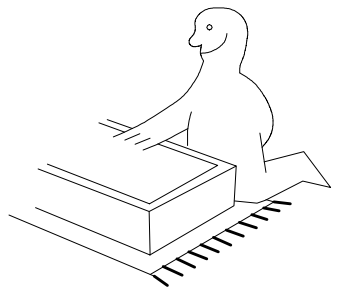
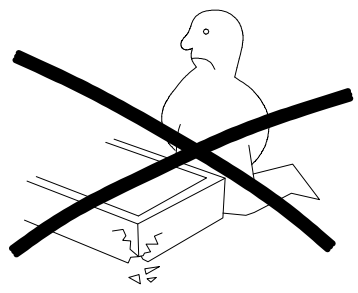
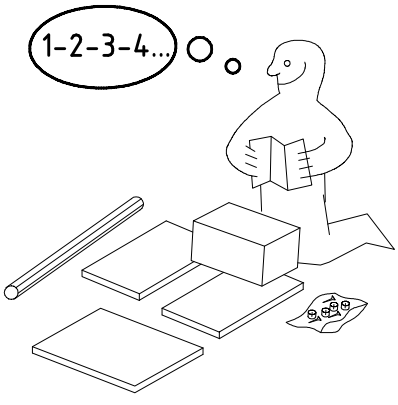
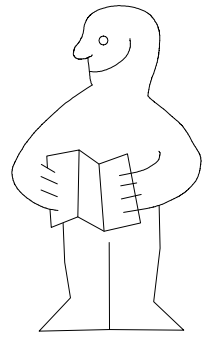
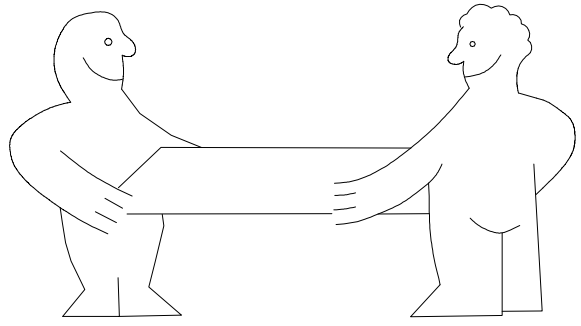
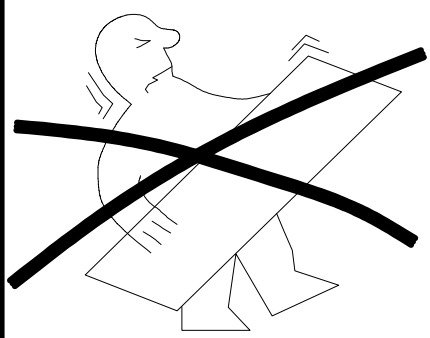
1.


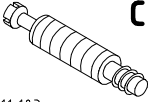
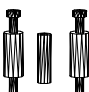


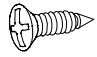

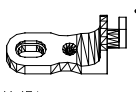
2.



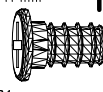


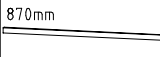
H 270 4tlg-3trg

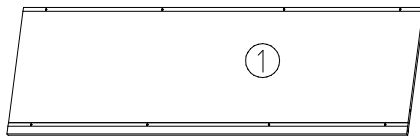
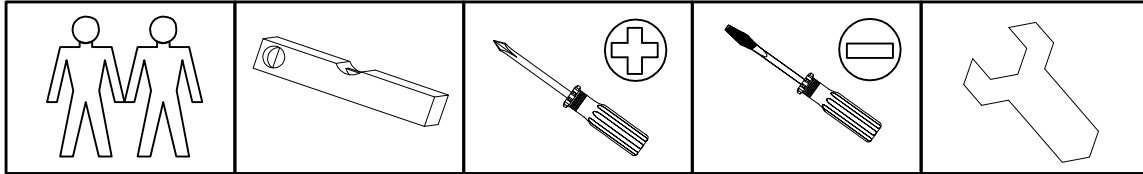
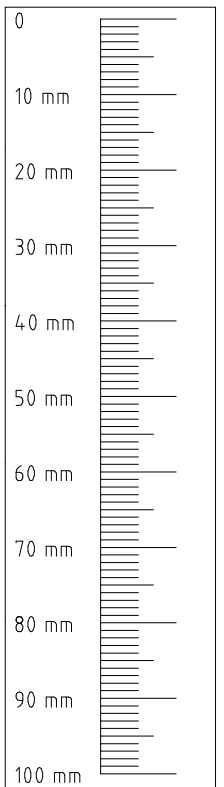


 111 102	<b>A</b>	20x
 111 103	<b>C</b>	12x
	<b>F3</b>	4x

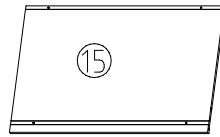
3,5 x 15 mm  121 370	<b>G1</b>	12x
 117 001	<b>K1</b>	6x
 111 174	<b>J1</b>	6x

 111 610	<b>L7</b>	12x
3,5 x 35 mm  121 375	<b>G14</b>	12x
M6 x 11 mm  121 181	<b>T6</b>	6x

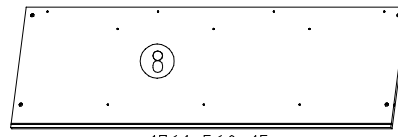
870mm  112 402	<b>K20</b>	3x
---	------------	----



1761x560x15



873x560x15



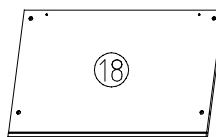
1761x560x15



1761x32x15



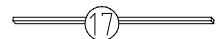
873x32x15



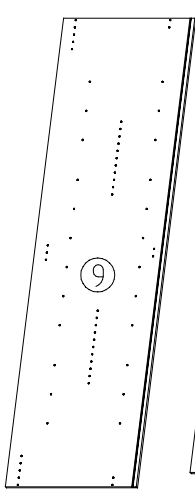
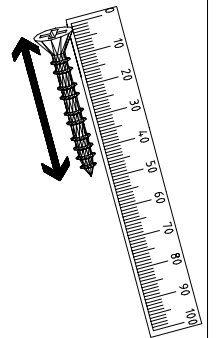
873x560x15



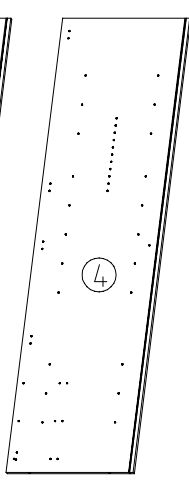
1761x32x15



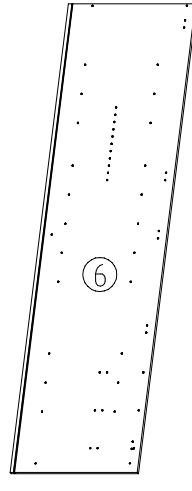
873x32x15



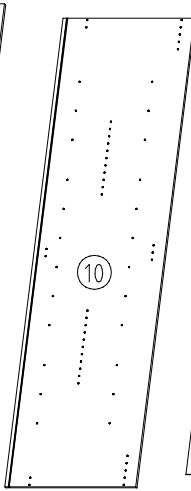
2064x577x15



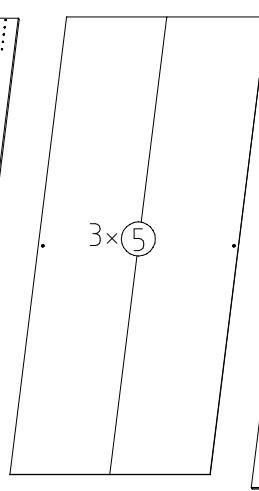
2001x560x15



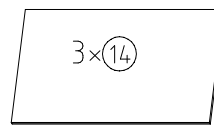
2064x560x15



2064x577x15

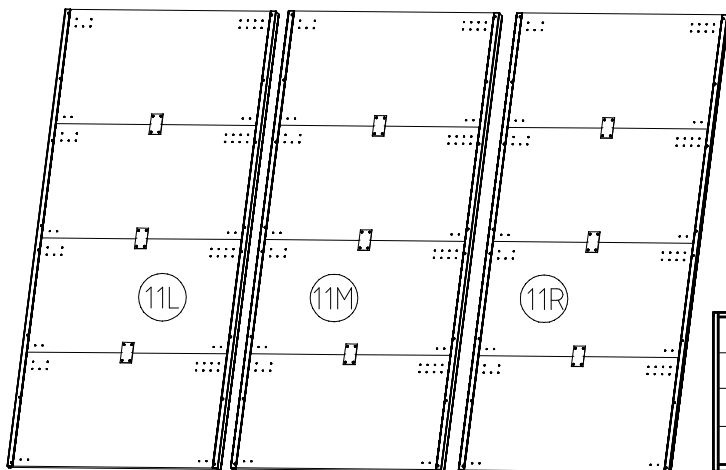


2015x882x2,5



3x(14)

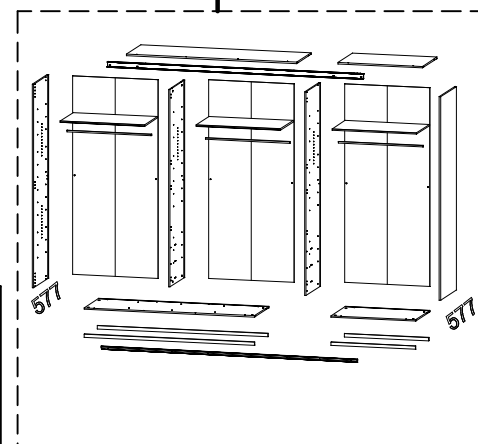
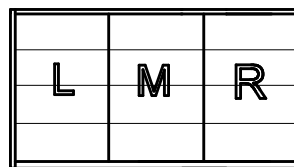
873x500x18



2018x916x15

2018x916x15

2018x916x15



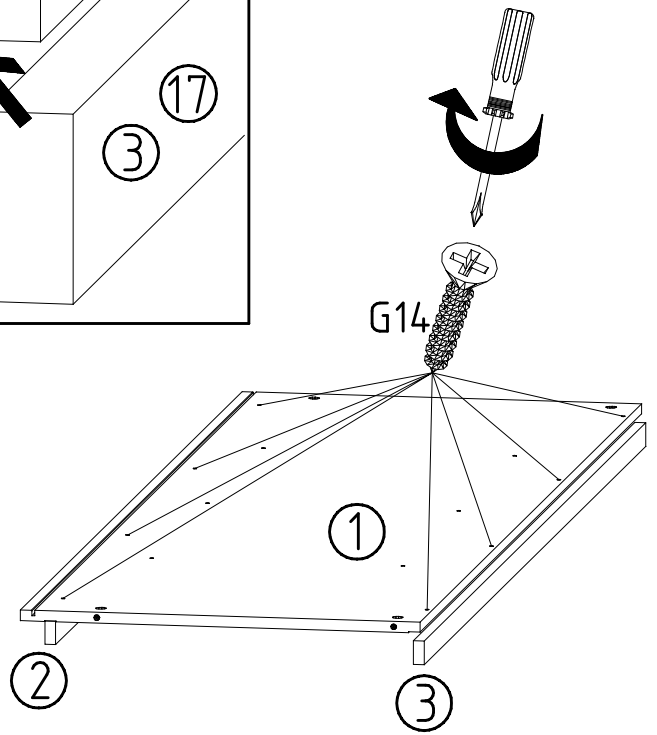
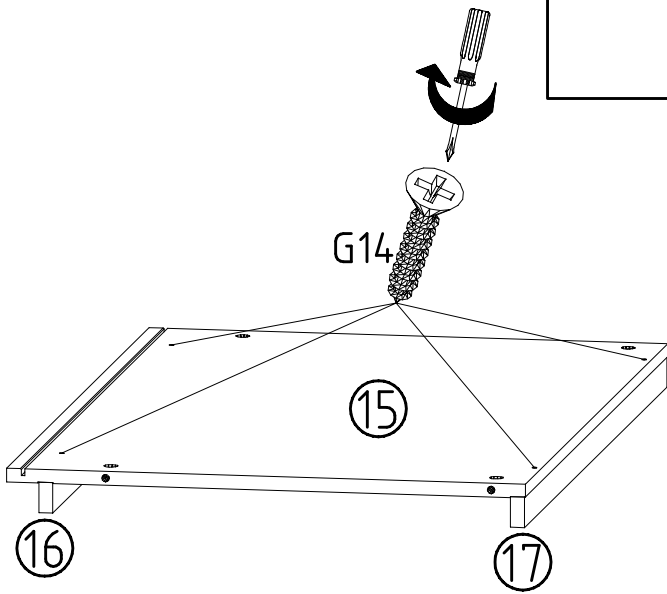
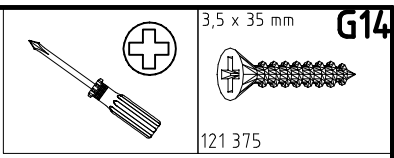
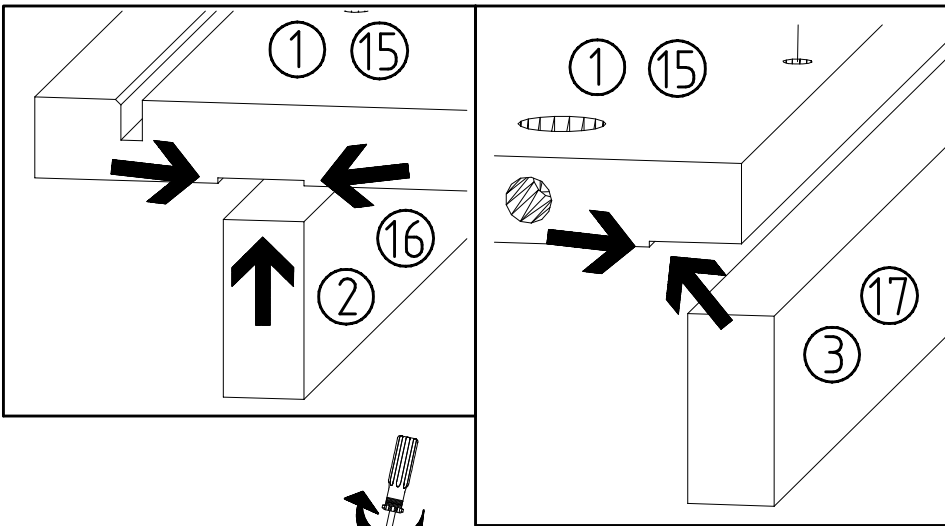
980863

11.12.13 / -

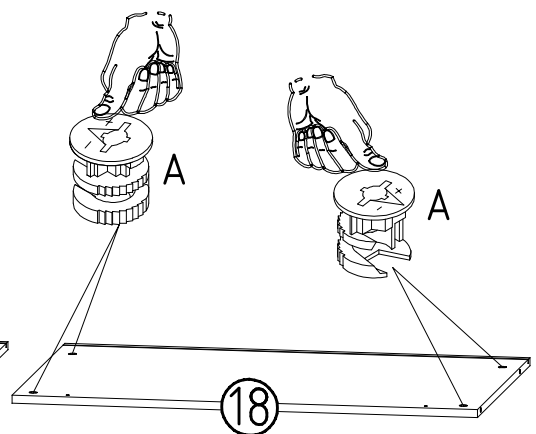
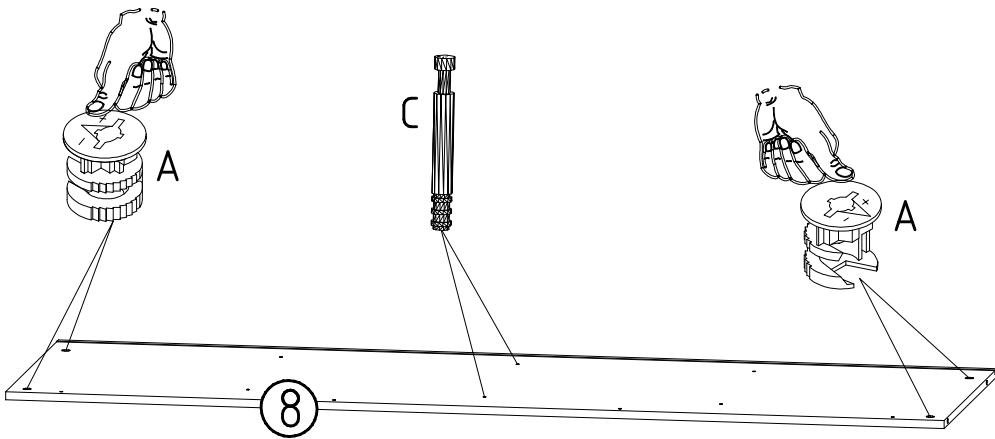
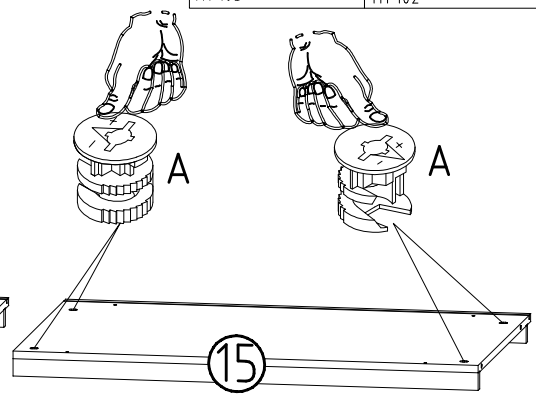
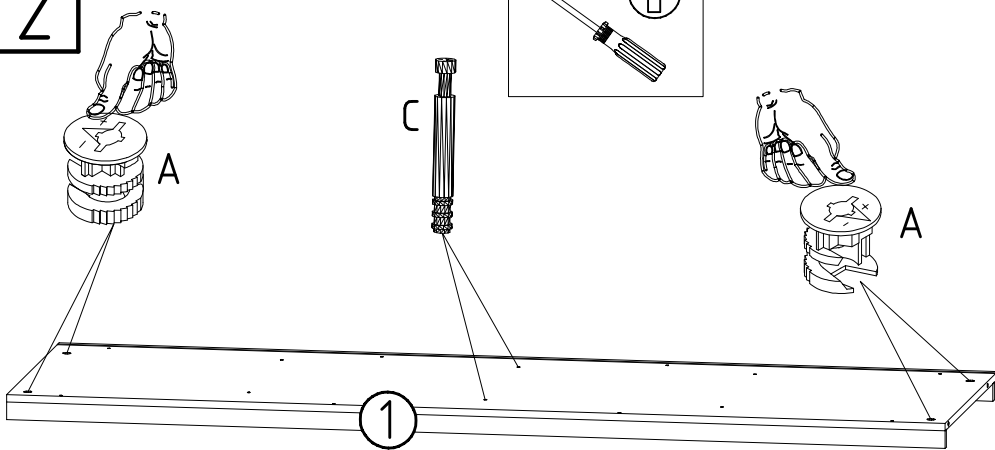
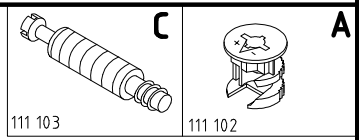
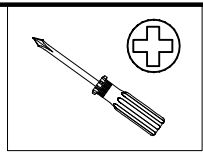
12 13

2 / 12

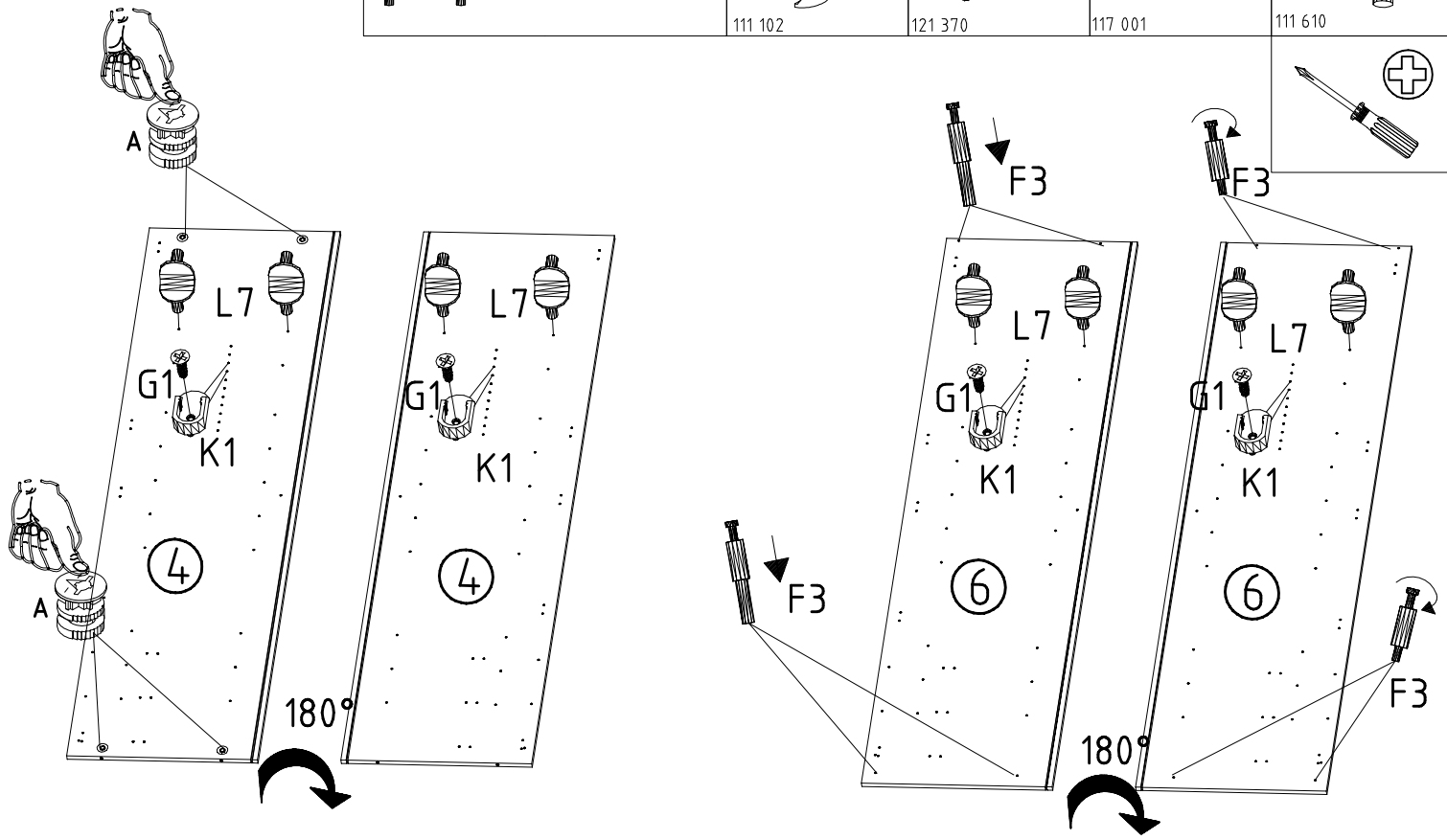
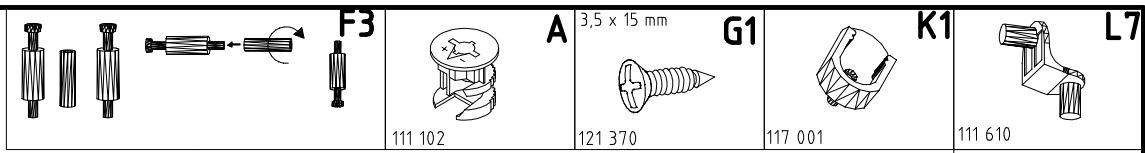
1



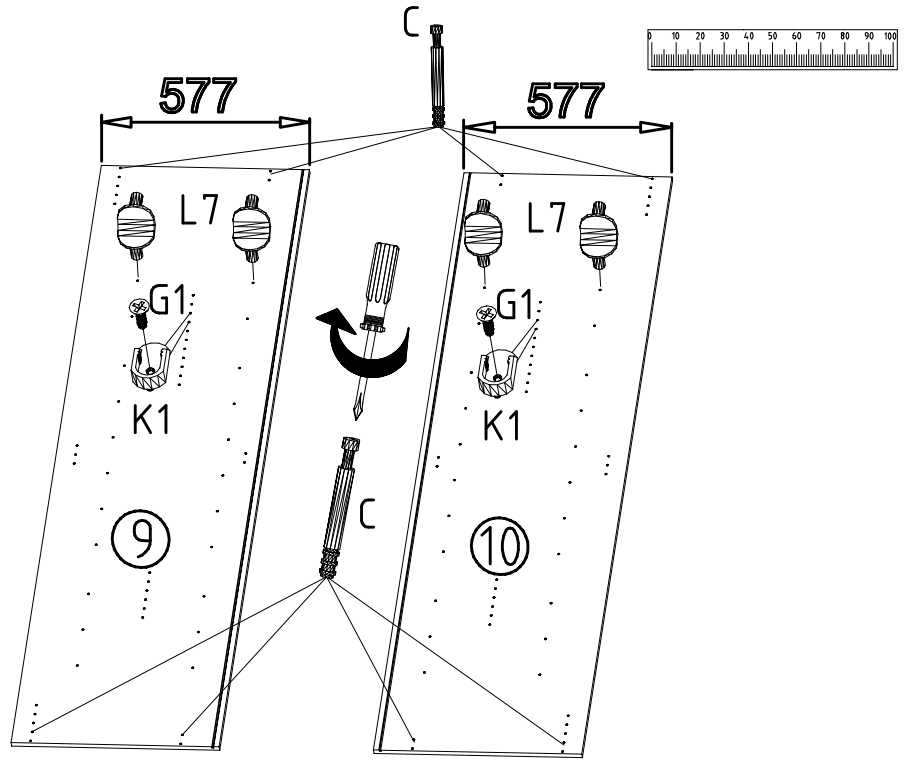
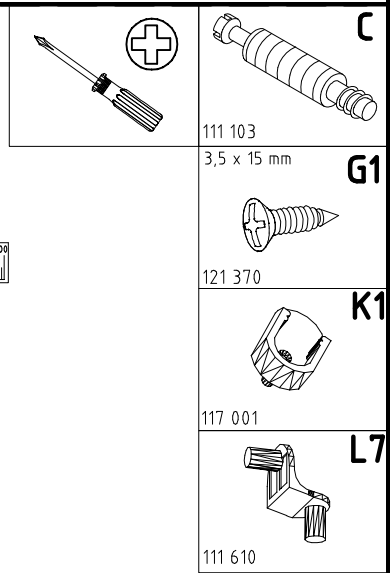
2



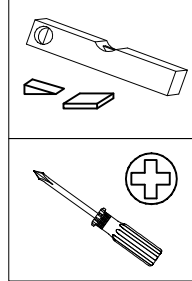
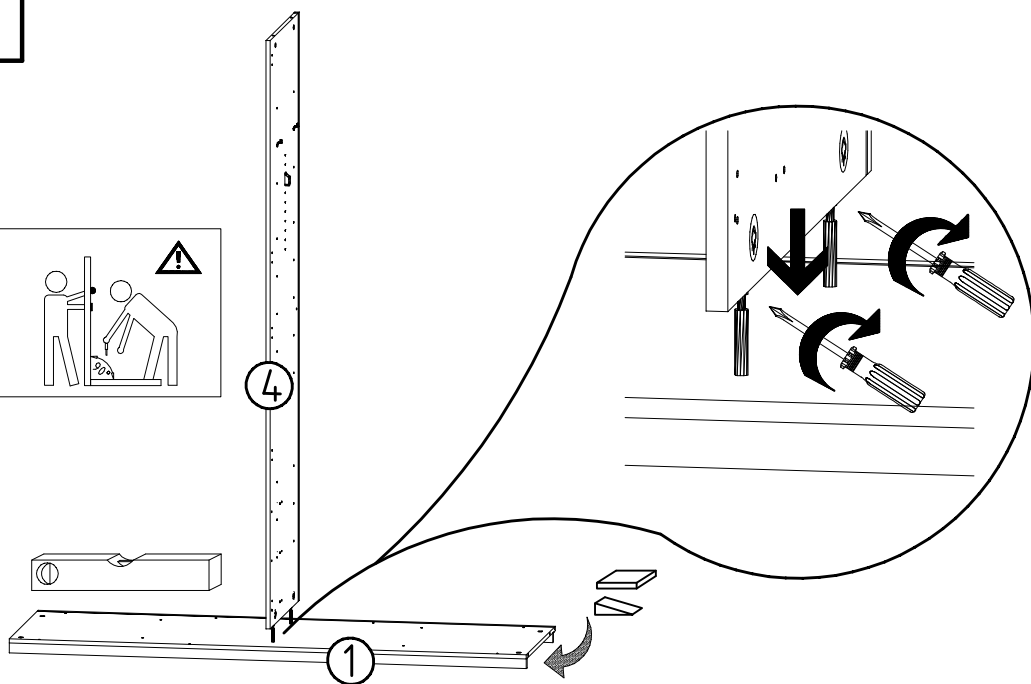
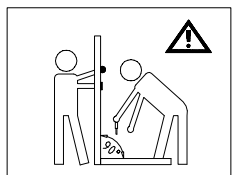
3



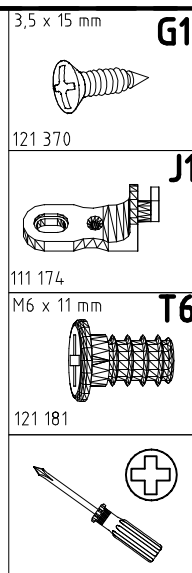
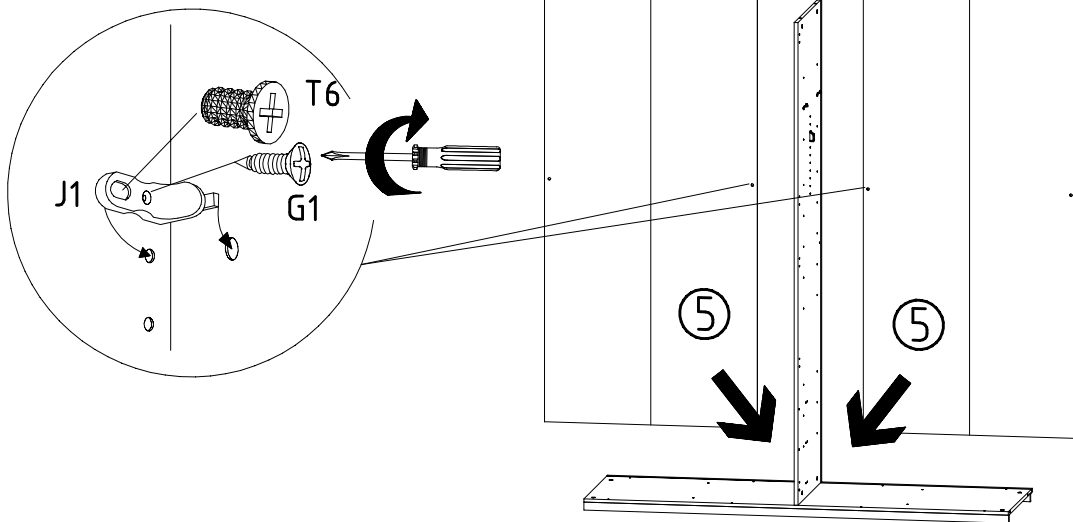
4



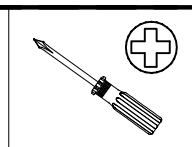
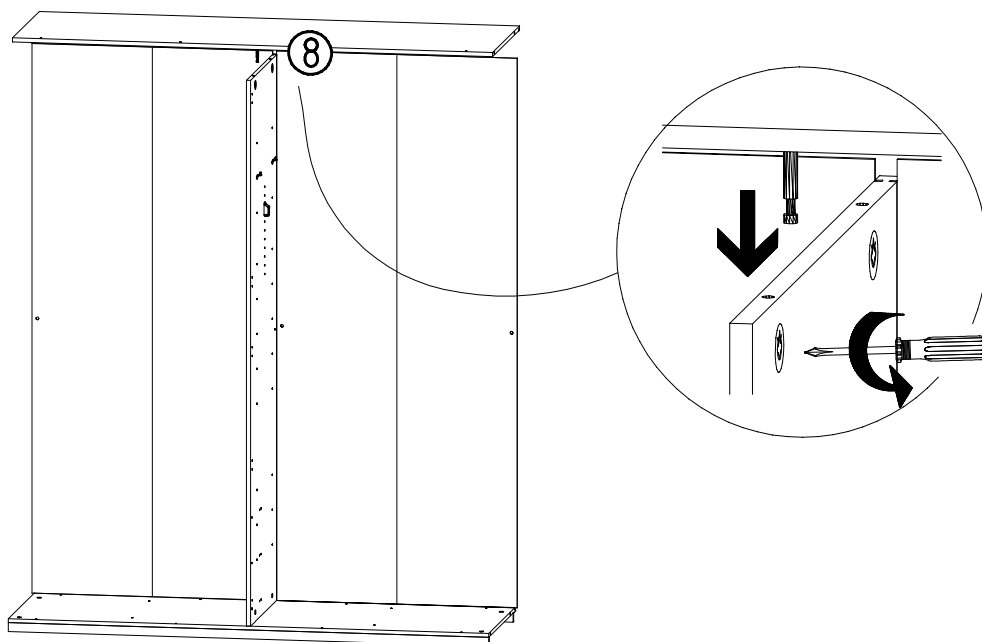
5



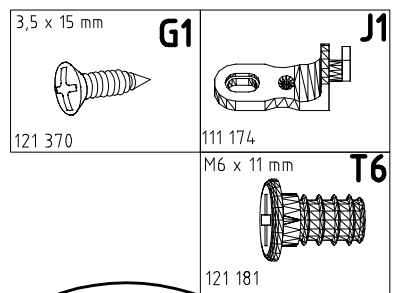
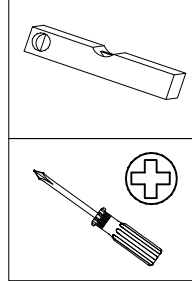
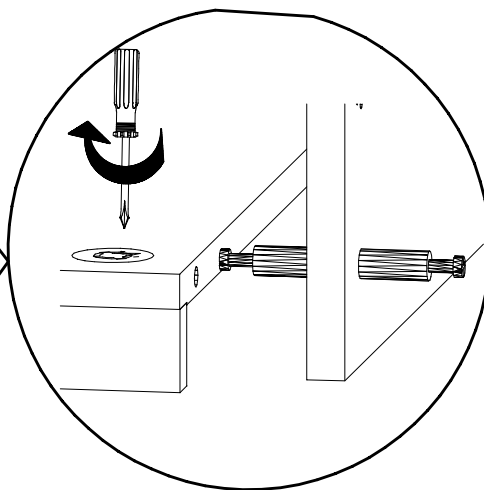
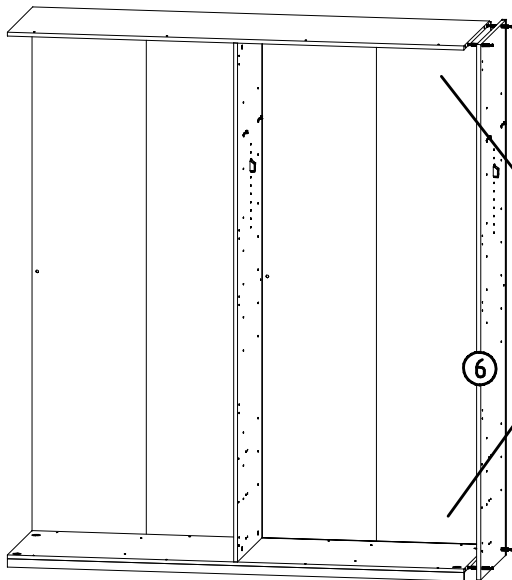
6



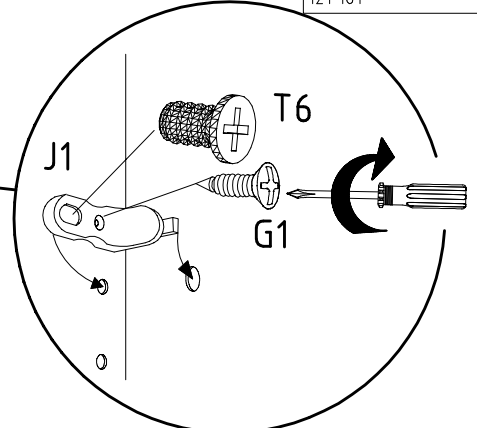
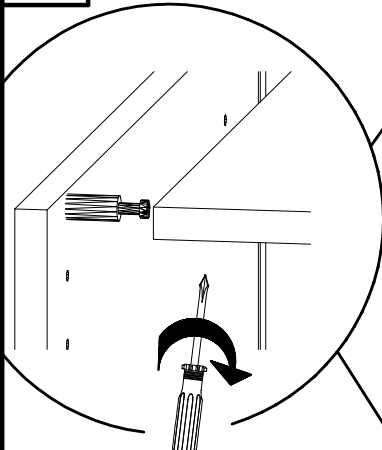
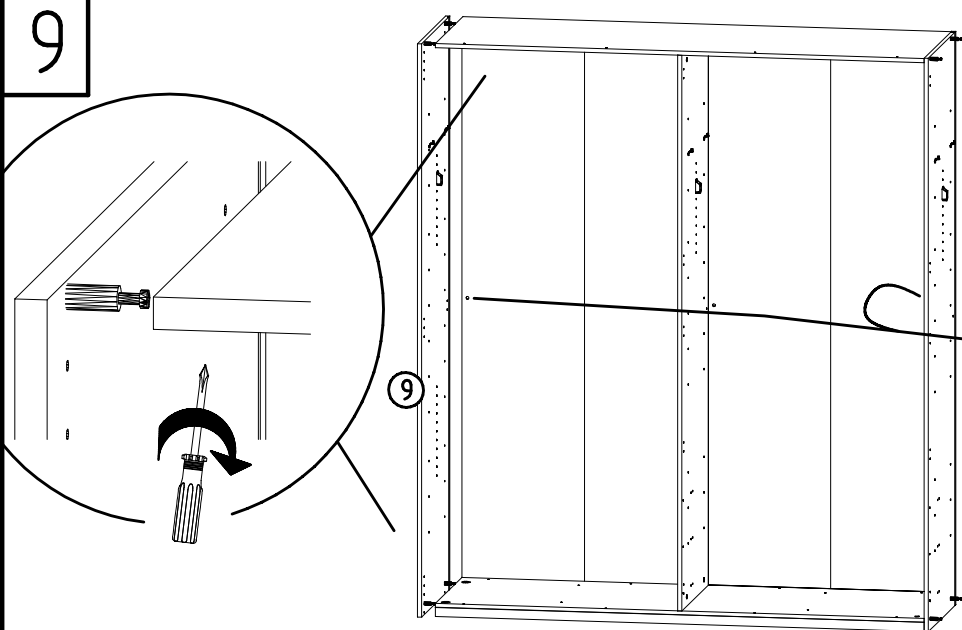
7



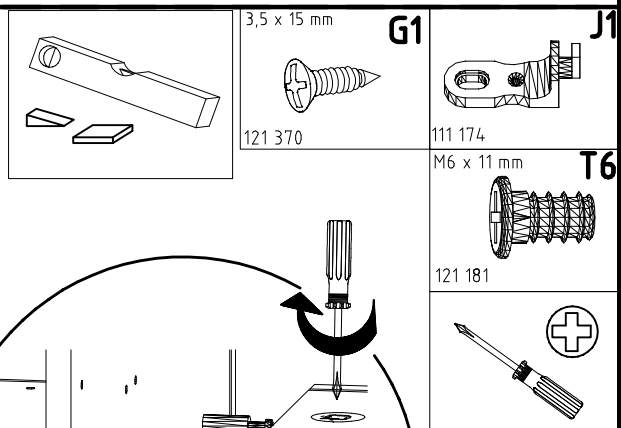
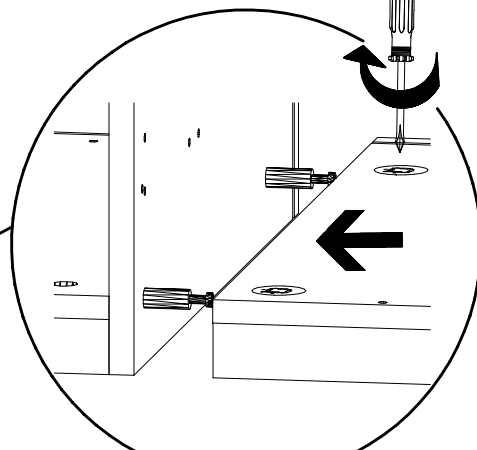
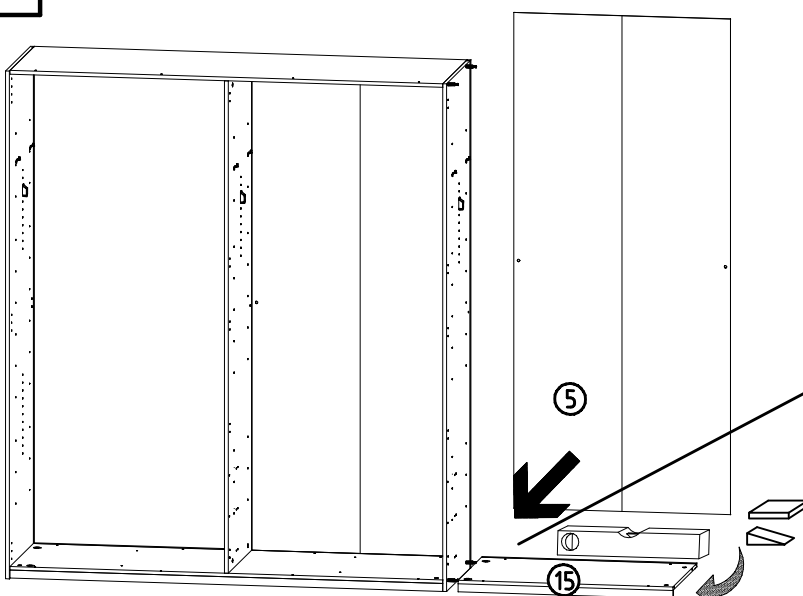
8



9



10



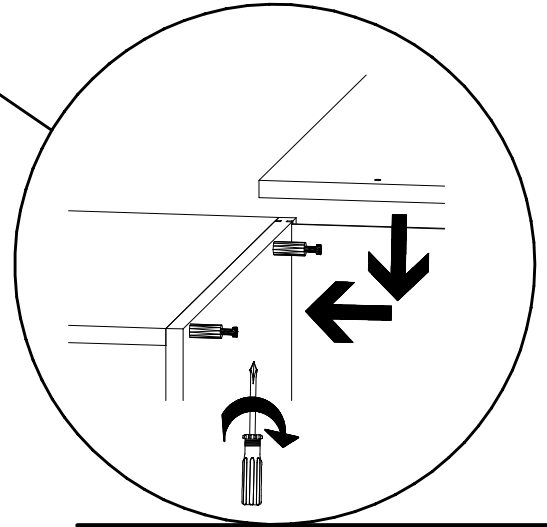
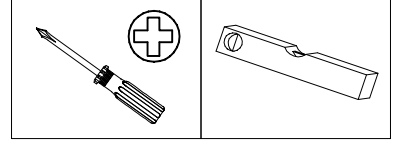
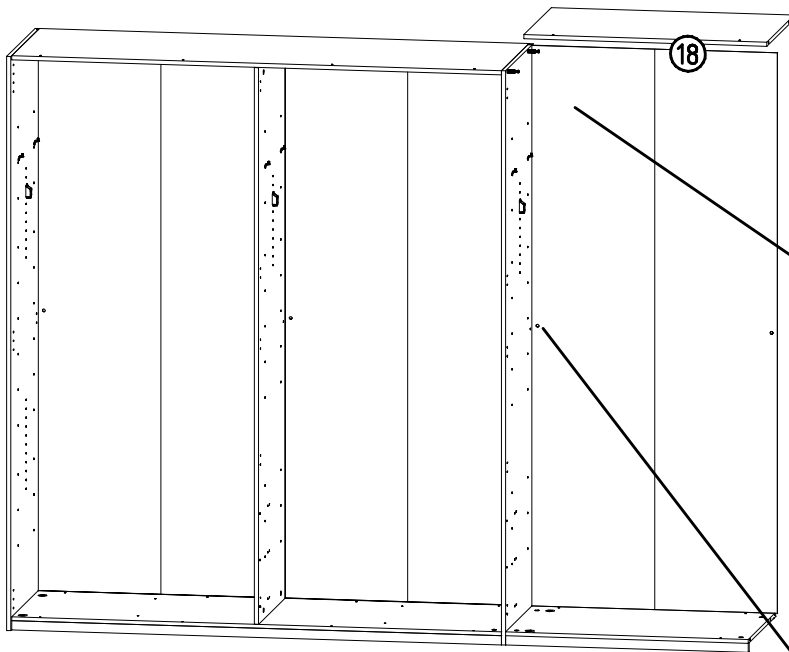
980863

11.12.13 / -

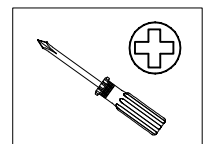
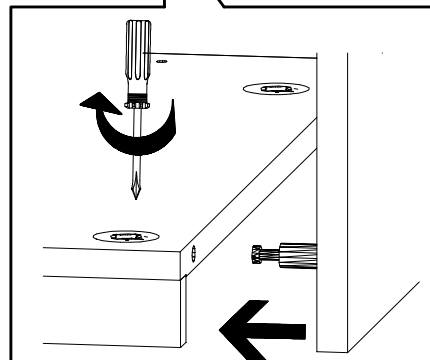
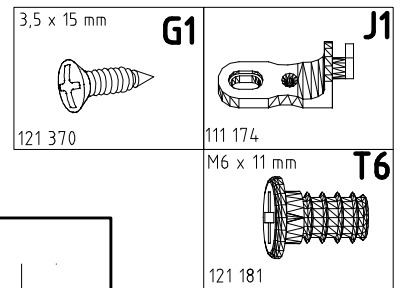
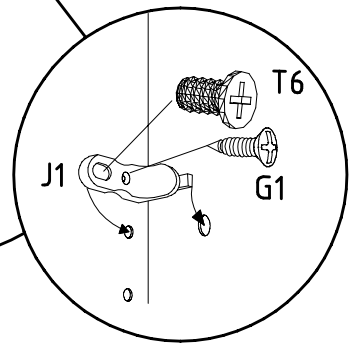
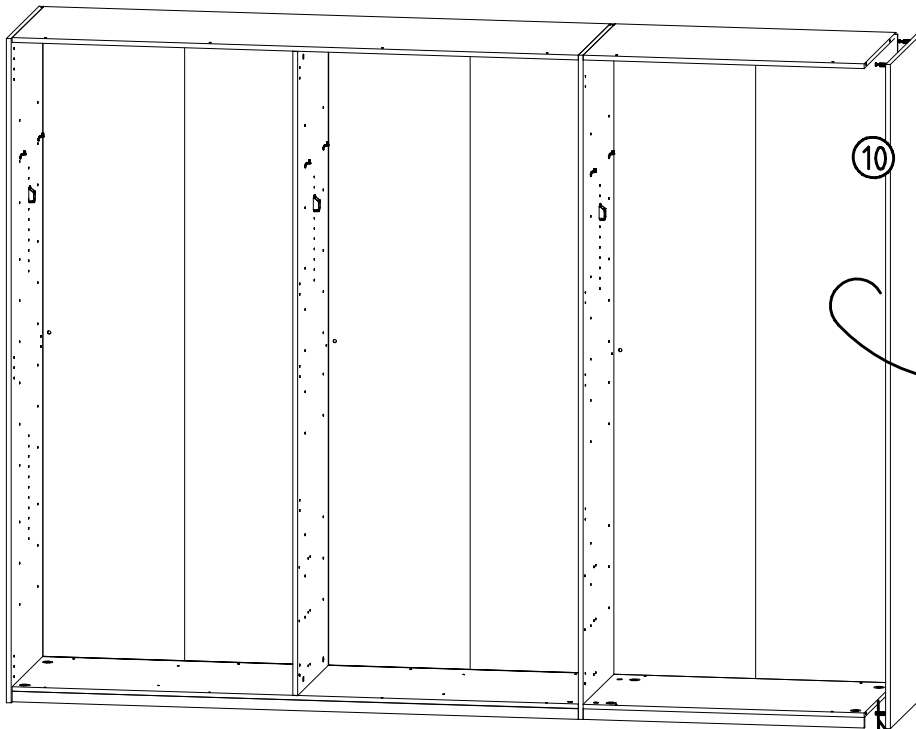
12 13

6/12

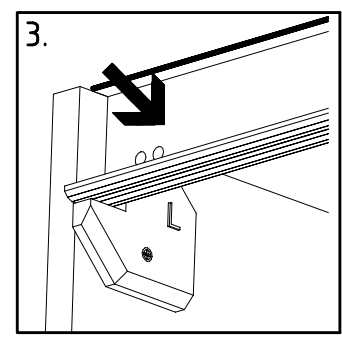
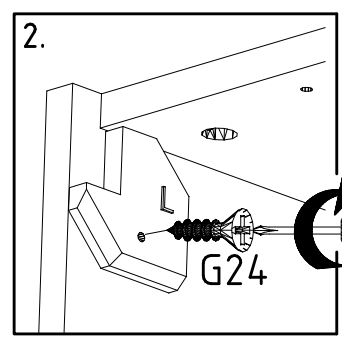
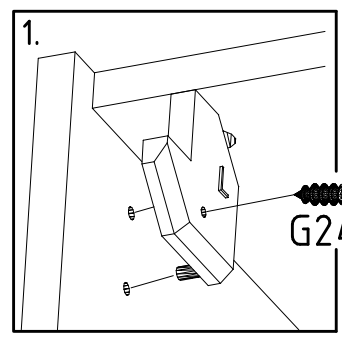
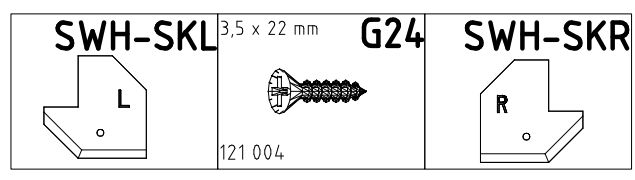
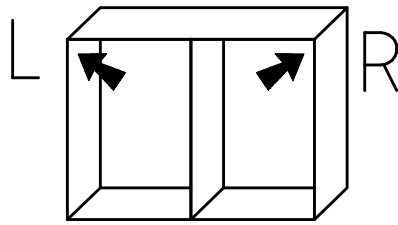
11



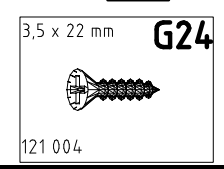
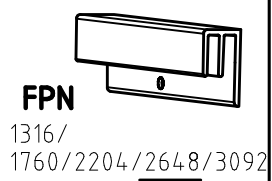
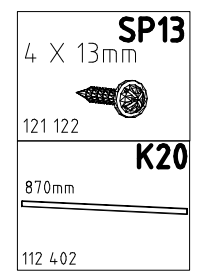
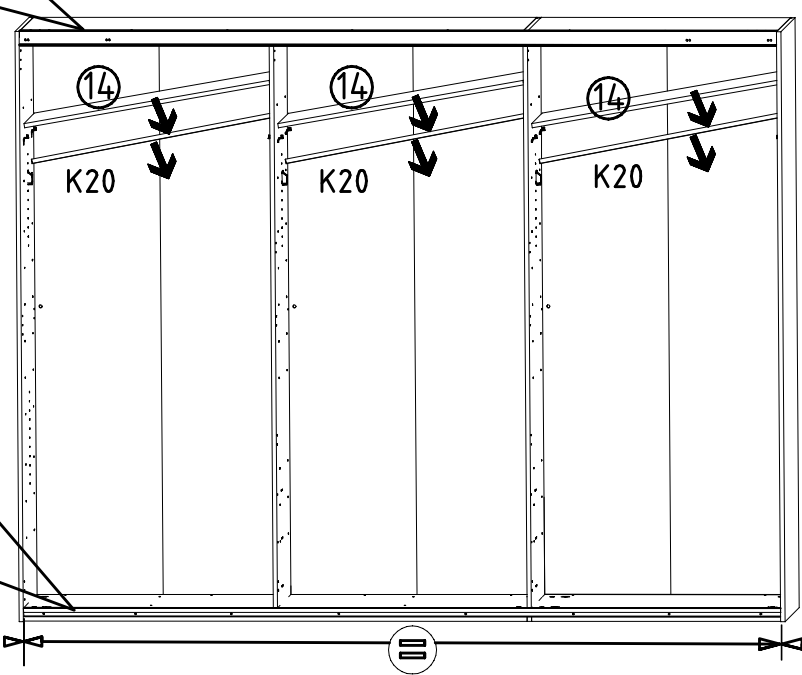
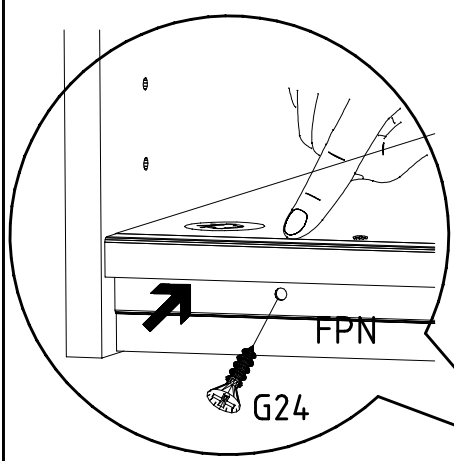
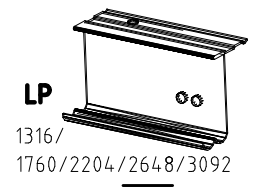
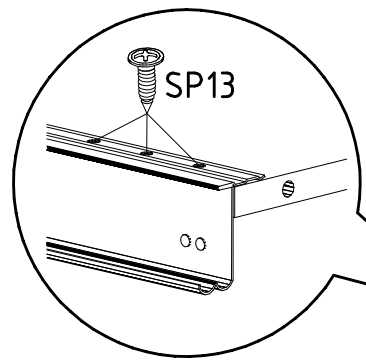
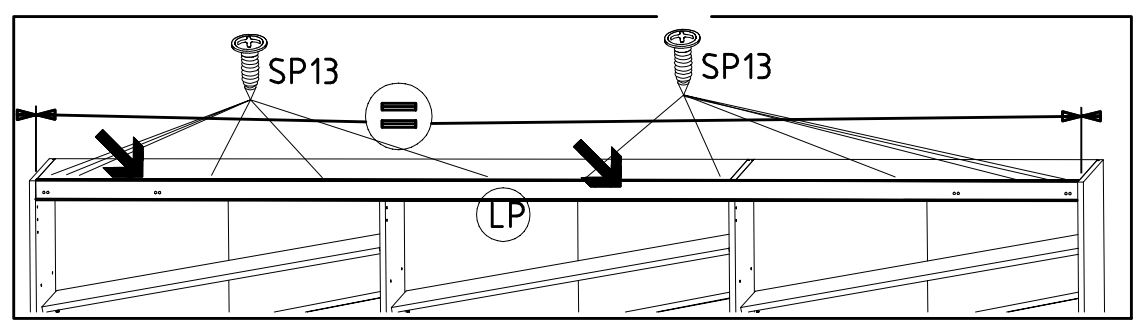
12



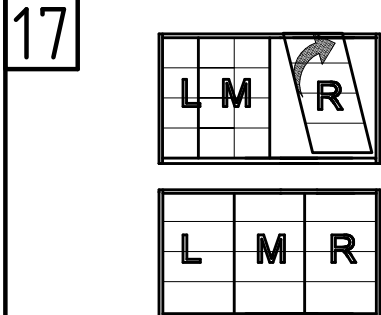
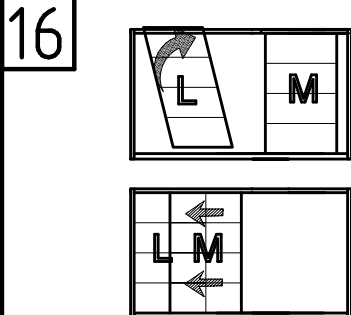
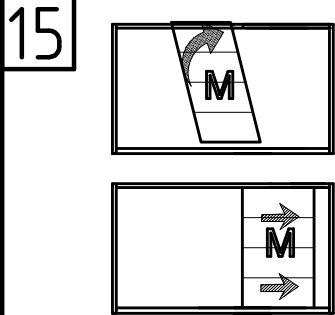
13



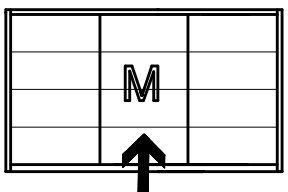
14



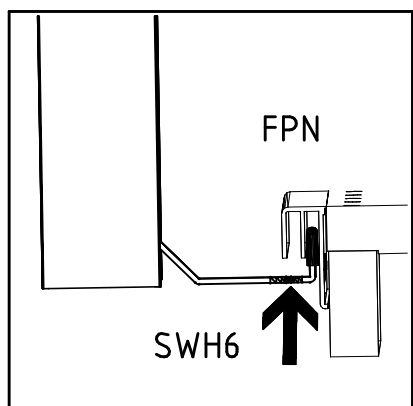




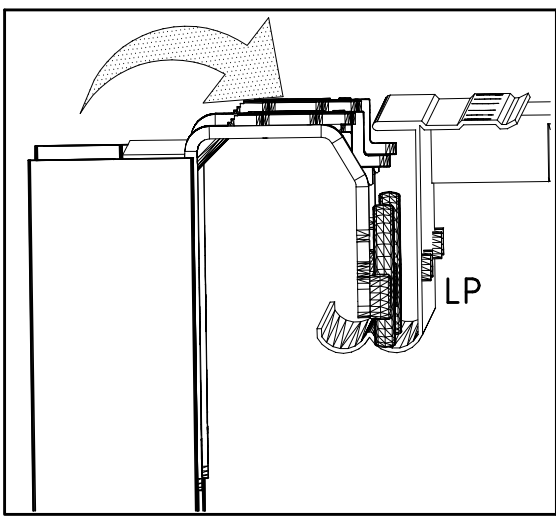
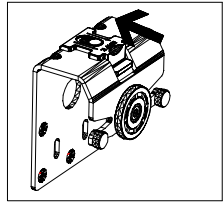
15



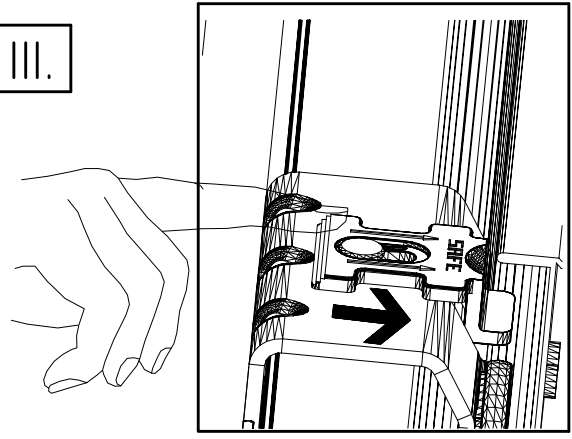
I.



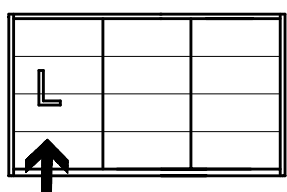
II.



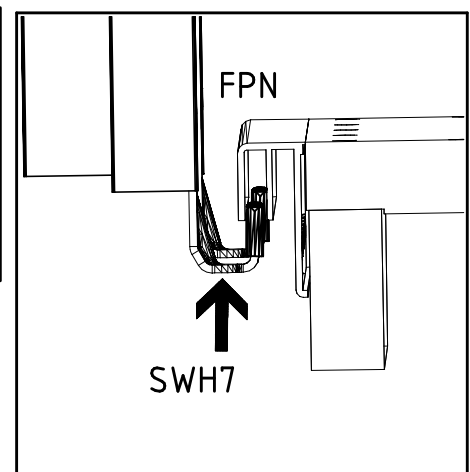
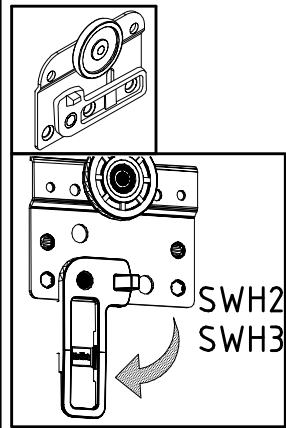
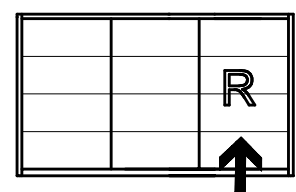
III.



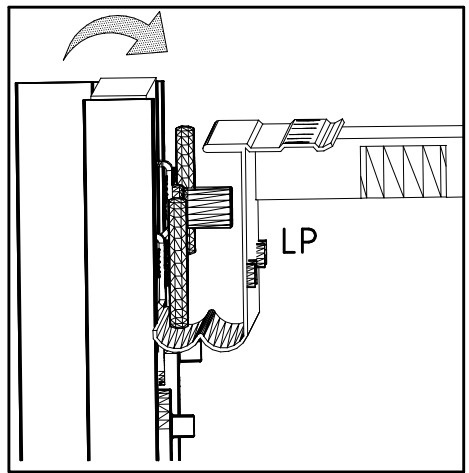
16 + 17



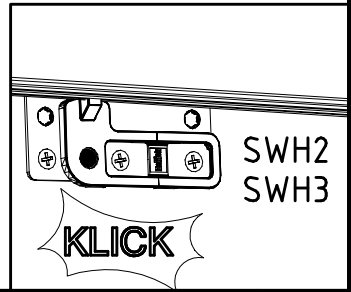
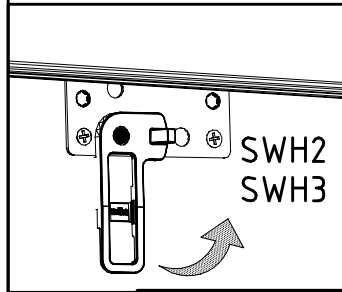
I.

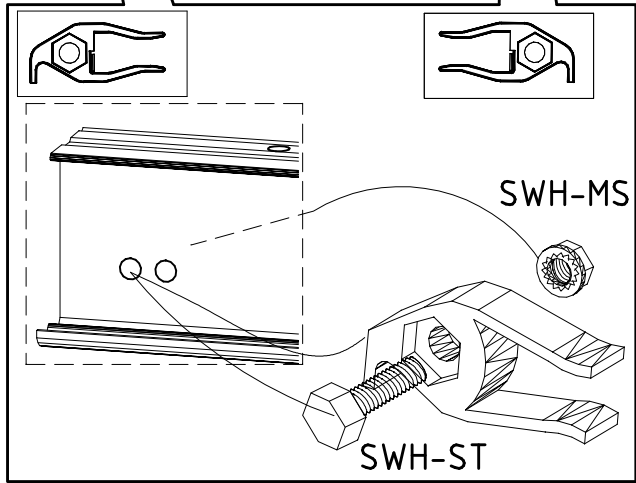
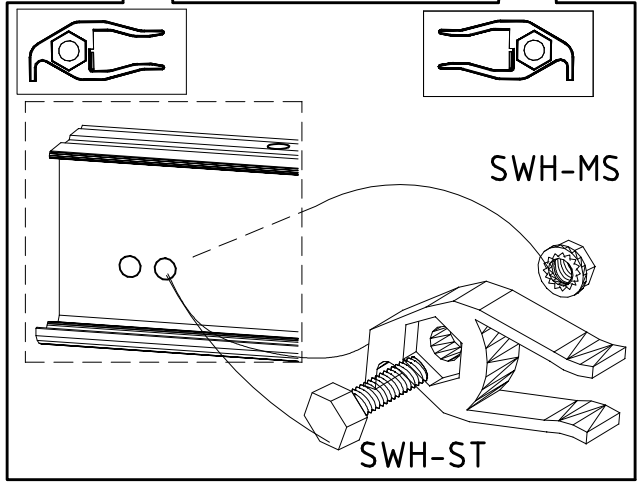
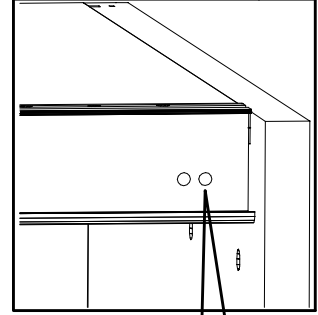
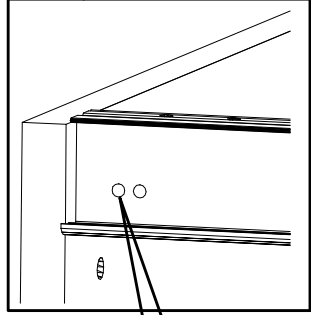
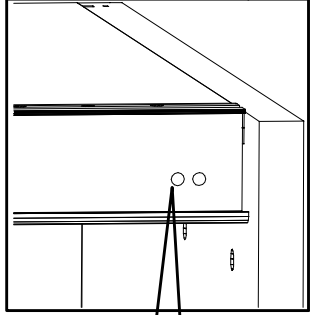
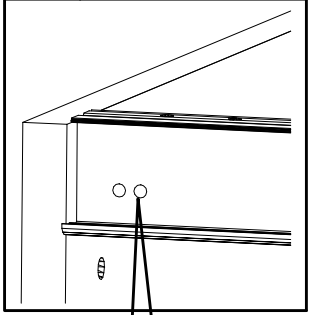
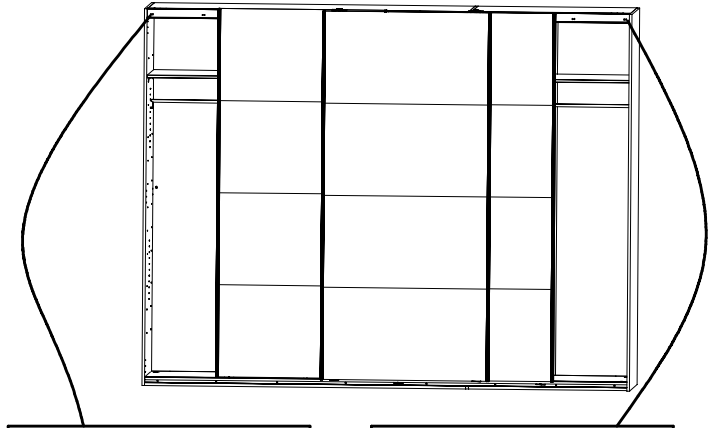
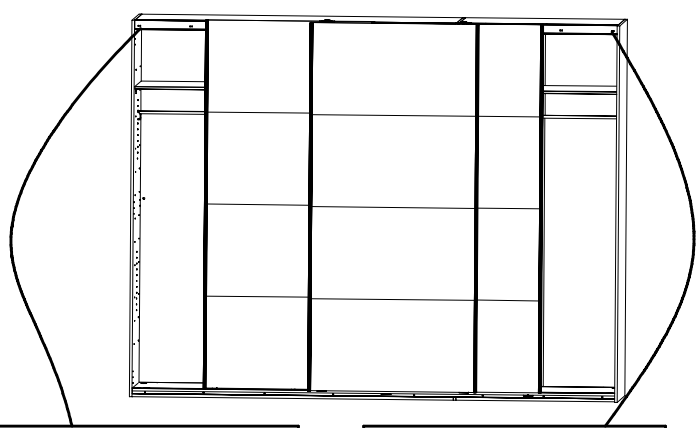
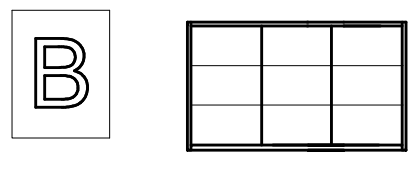
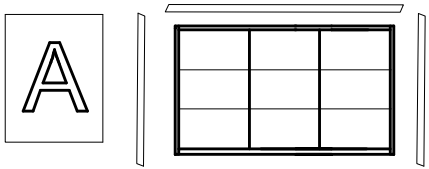
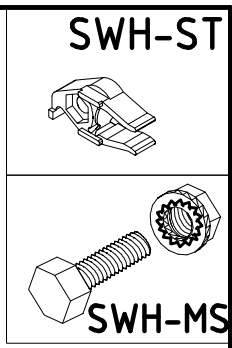
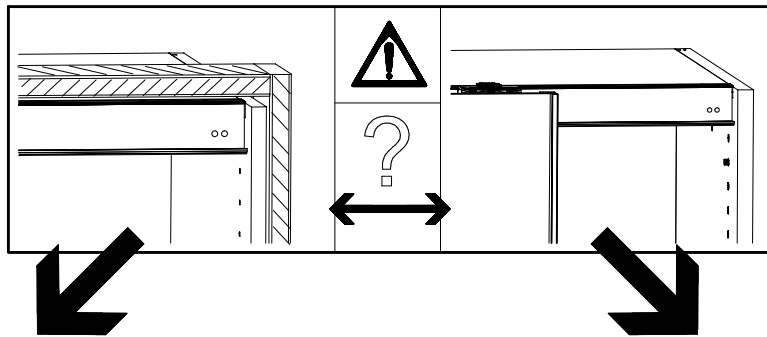


II.

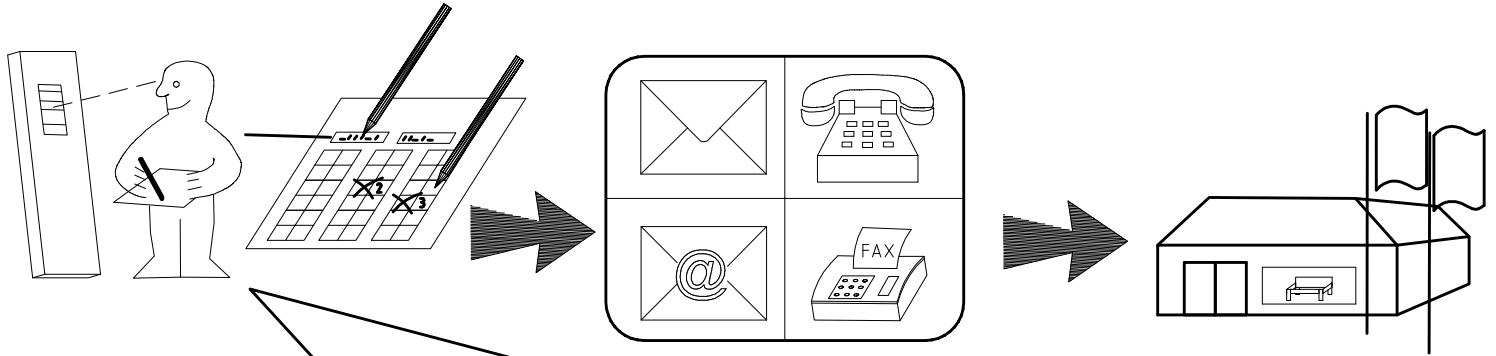
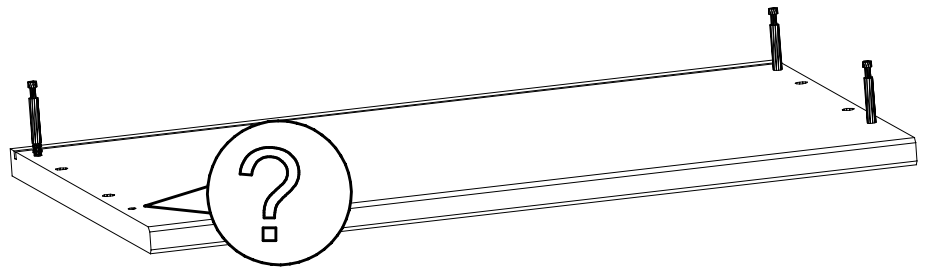
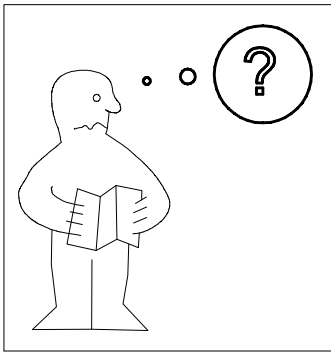


III.









Auftrag/Order-No  
No. de Commande

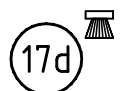
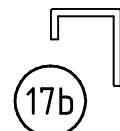
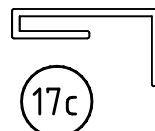
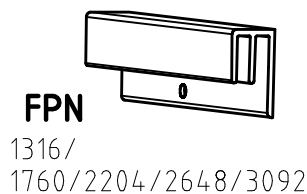
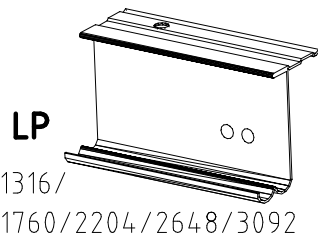
Kunde/Customer  
Client

	<b>SWH1</b>
	<b>SWH2</b>
	<b>SWH3</b>
	<b>SWH 6</b>
	<b>SWH 7</b>
	<b>SP13</b> 4 X 13mm 121 122

	<b>SWH-D</b>
	<b>SWH-SKL</b>
	<b>SWH-SKR</b>
	<b>SWH-ST</b>
	<b>SWH-MS</b>
	<b>T2</b> M6,3 x 10,5 mm 111 030

	<b>G1</b> 3,5 x 15 mm 121 370
	<b>G24</b> 3,5 x 22 mm 121 004
	<b>A</b> 111 102
	<b>L7</b> 111 610
	<b>H5</b> 114 183
	<b>G14</b> 3,5 x 35 mm 121 375

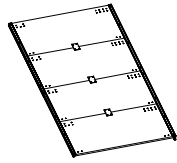
	<b>K1</b> 117 001
	<b>C</b> 111 103
	<b>J1</b> 111 174
	<b>T6</b> M6 x 11 mm 121 181
	<b>K20</b> 870mm 112 402
	<b>K21</b> 424mm 112 403
	<b>F3</b>



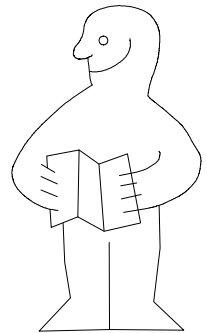
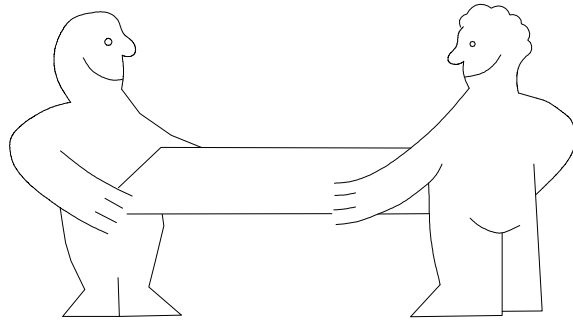
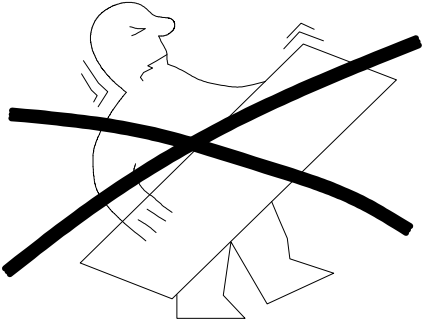
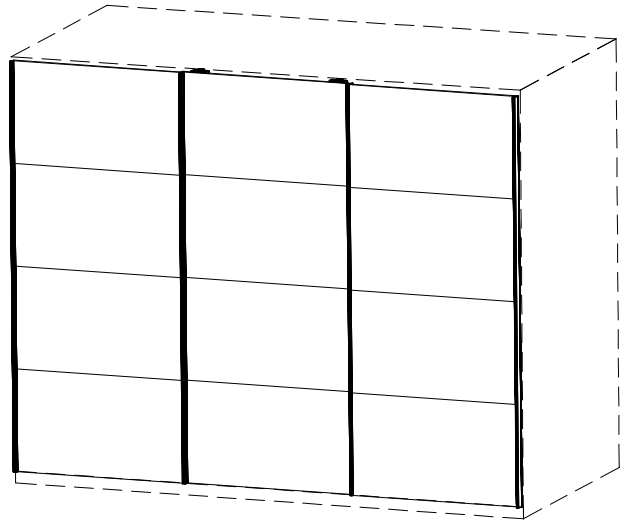
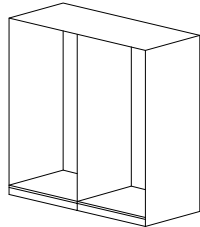
WIMEX Wohnbedarf / Import Export Handels GmbH / Postfach 14/07 / 49112 Georgsmarienhütte / Germany  
 Tel.:(+49) 05401 8598 16/17 Fax:(+49) 05401 8598 33 Mail: service\_H@wimex-online.com

980890

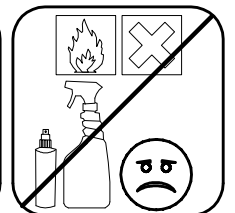
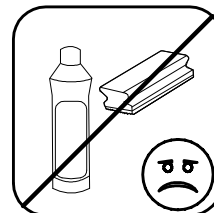
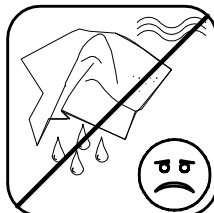
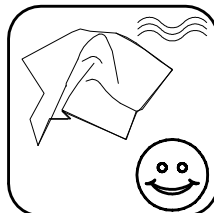
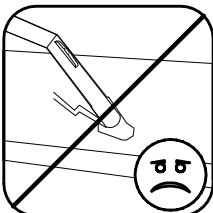
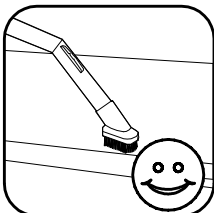
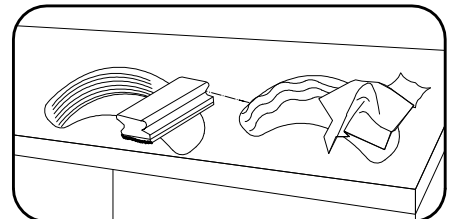
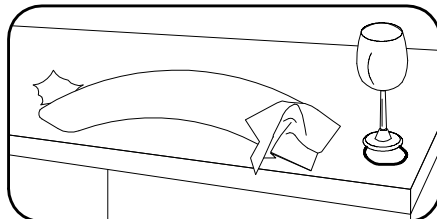
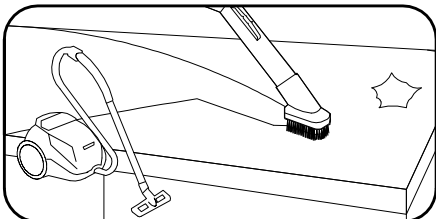
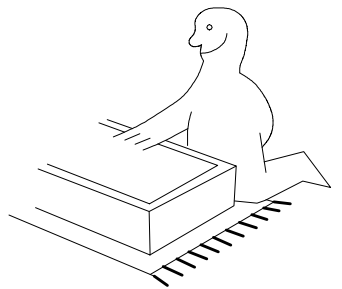
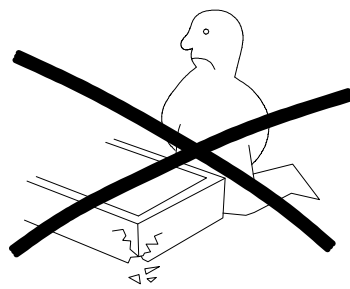
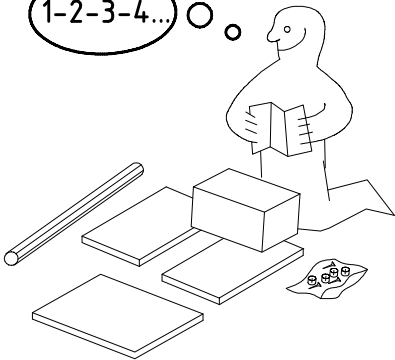
1.

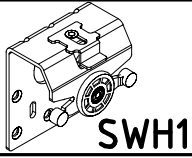
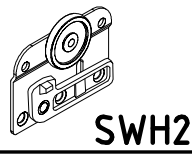
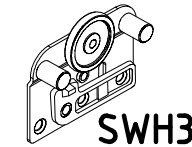



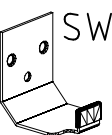
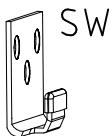
2.


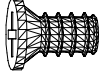
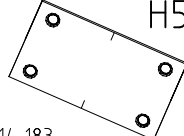


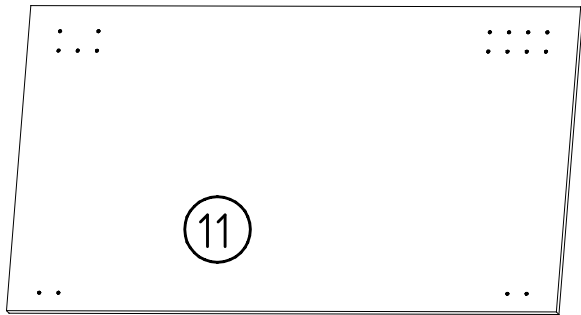
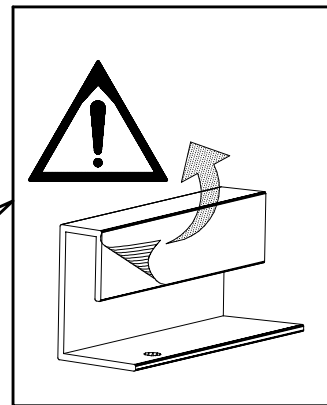
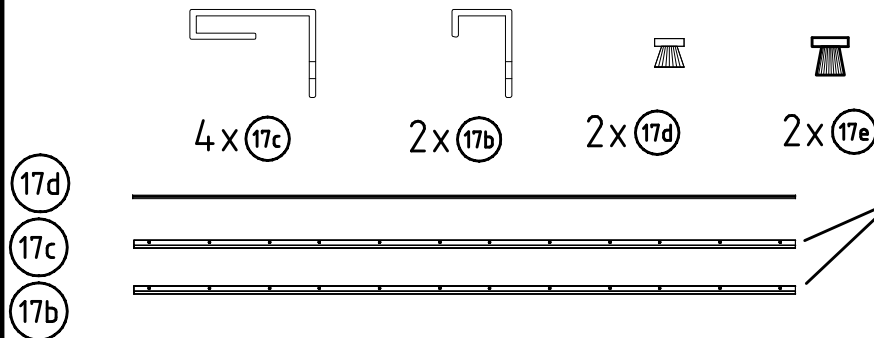
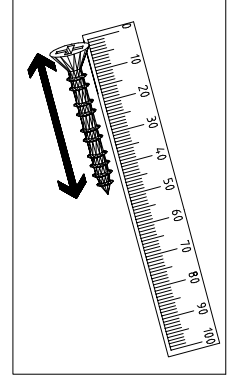
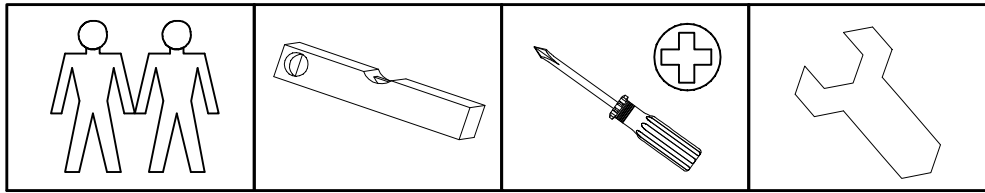
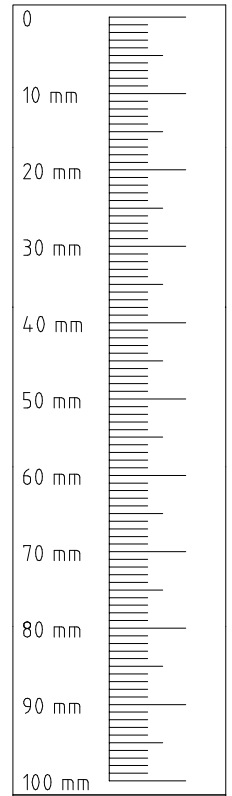
1-2-3-4... ○



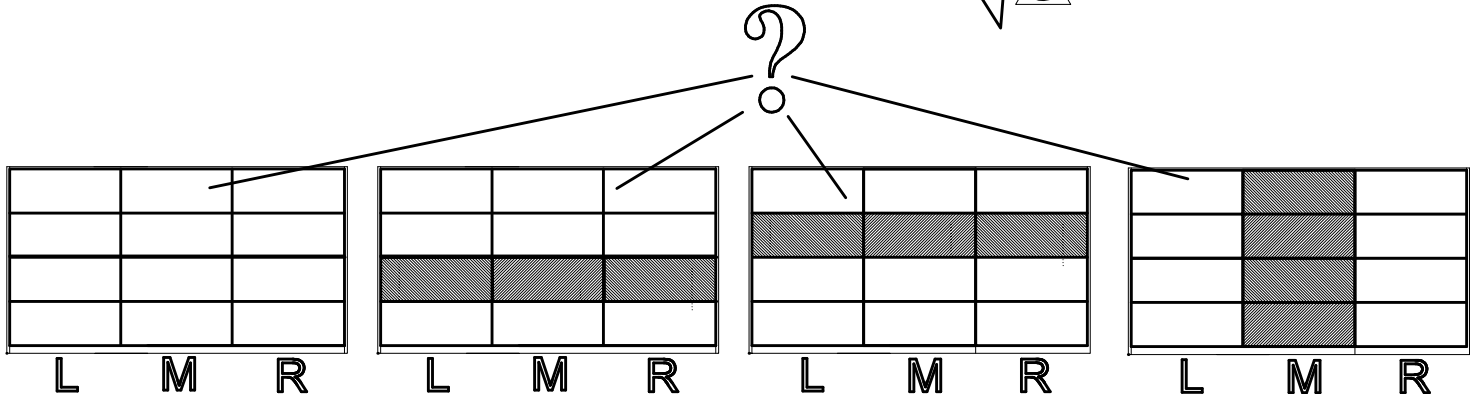
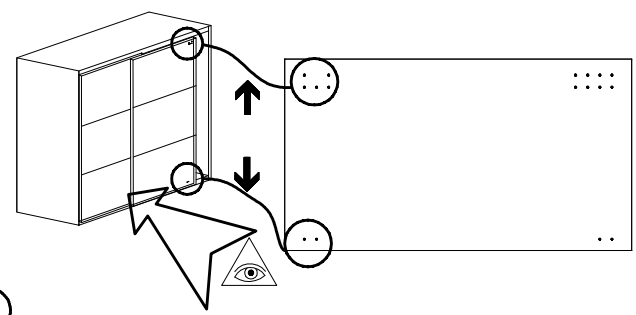
 SWH1	2x
 SWH2	2x
 SWH3	2x

SWH-D 	2x
SWH 6 	2x
SWH 7 	4x

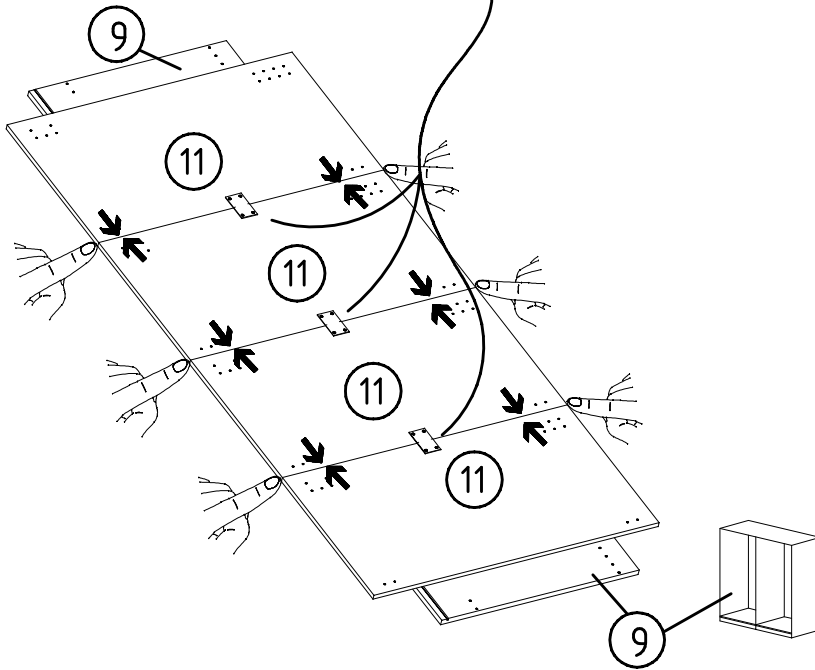
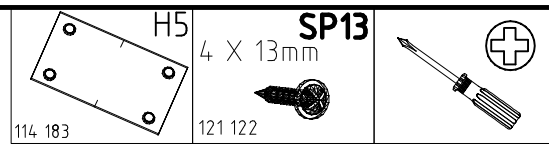
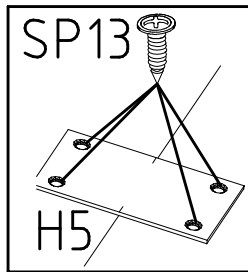
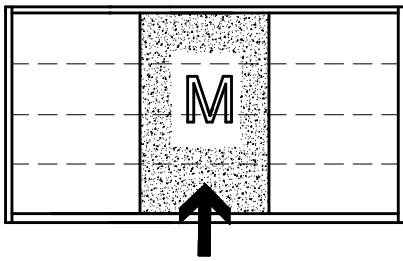
4 X 13mm SP13 	90x
121 122 6,3 x 10,5 mm T2 	34x
111 030 H5 	6x



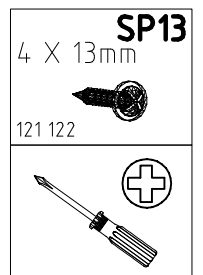
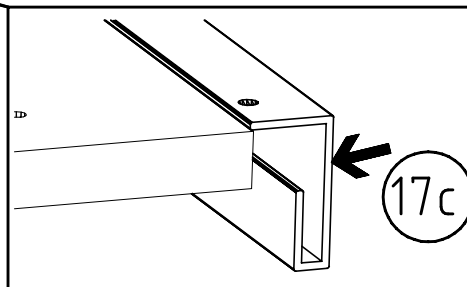
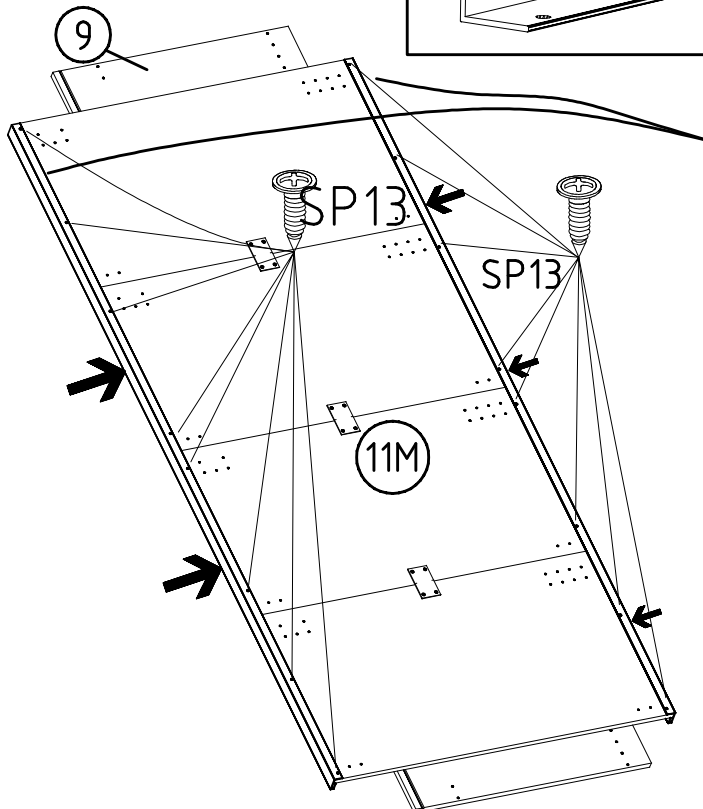
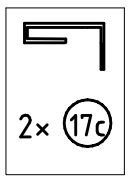
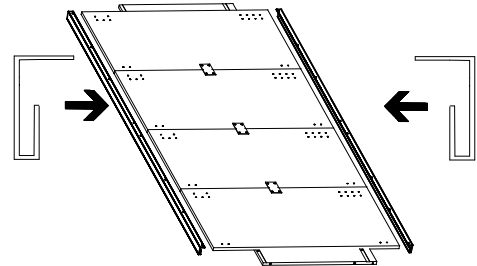
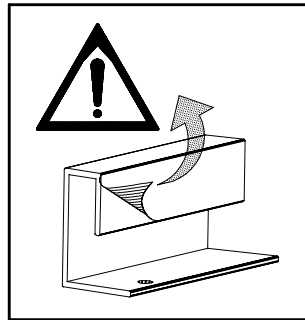
12x 916 x 504 x 15

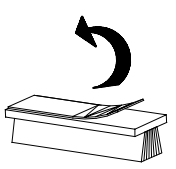
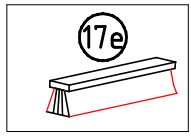
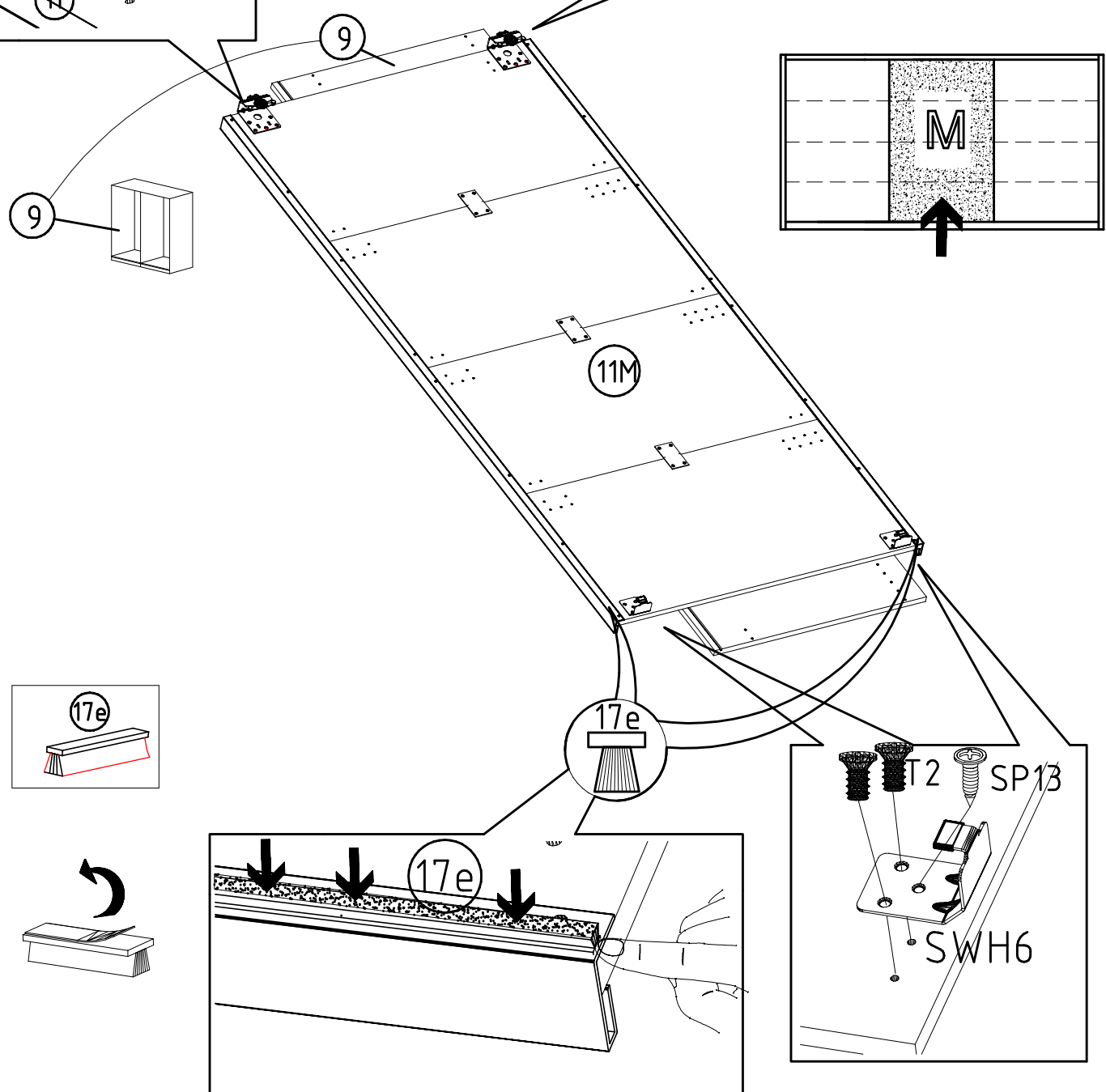
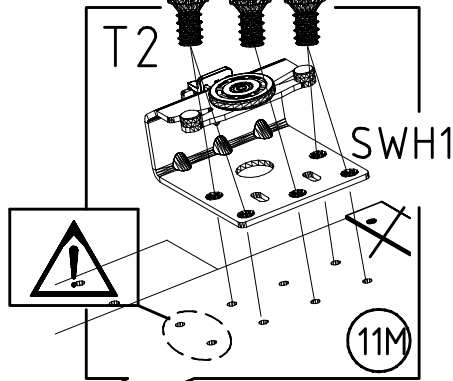
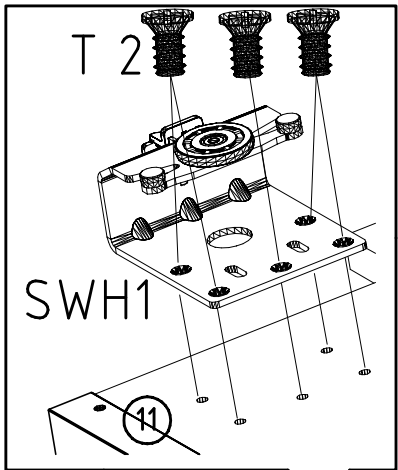
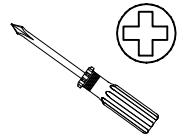
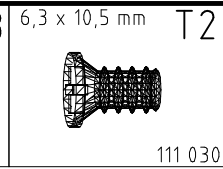
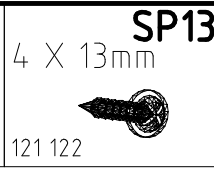
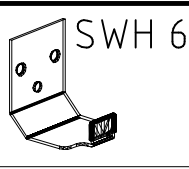
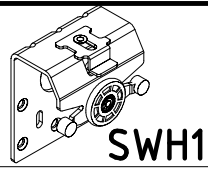


1



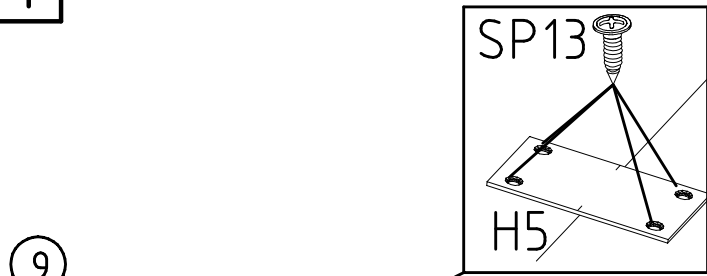
2





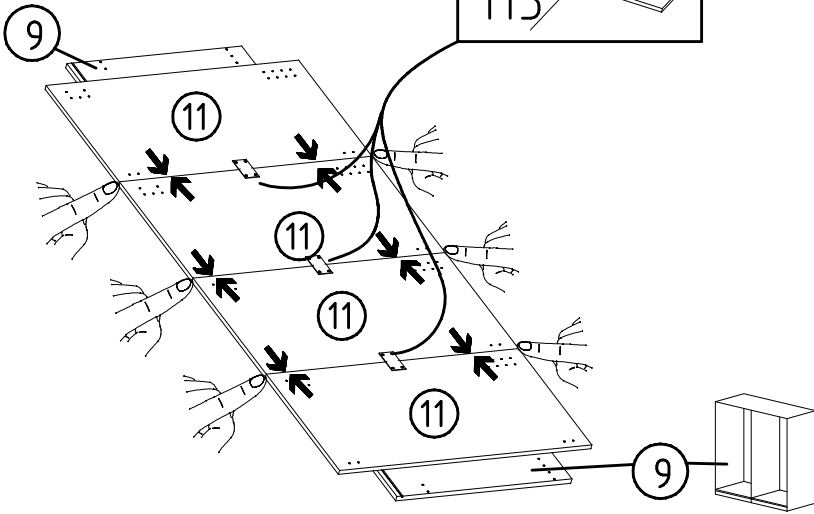
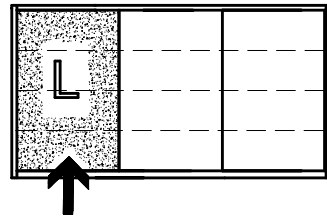


4

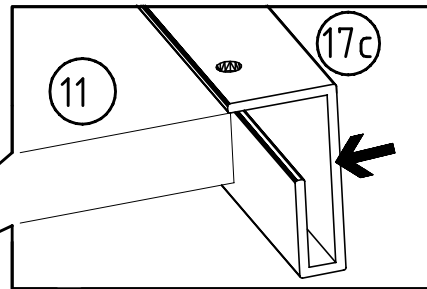
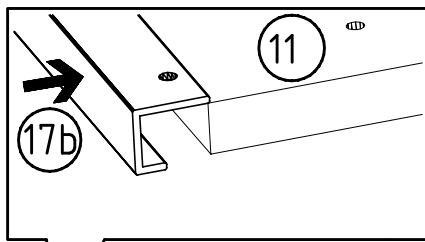


**H5**  
4 X 13mm  
114 183

**SP13**  
121 122

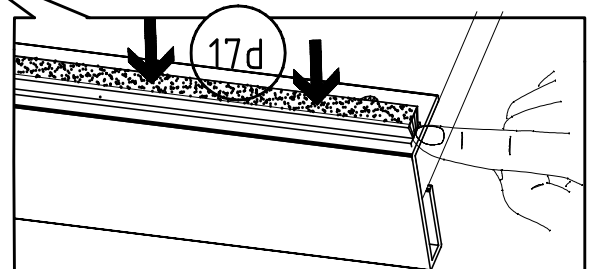
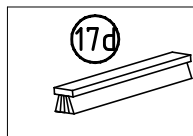
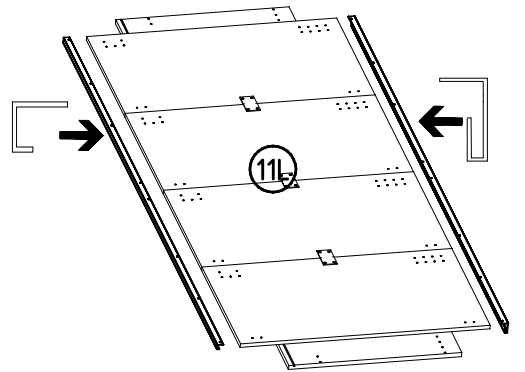
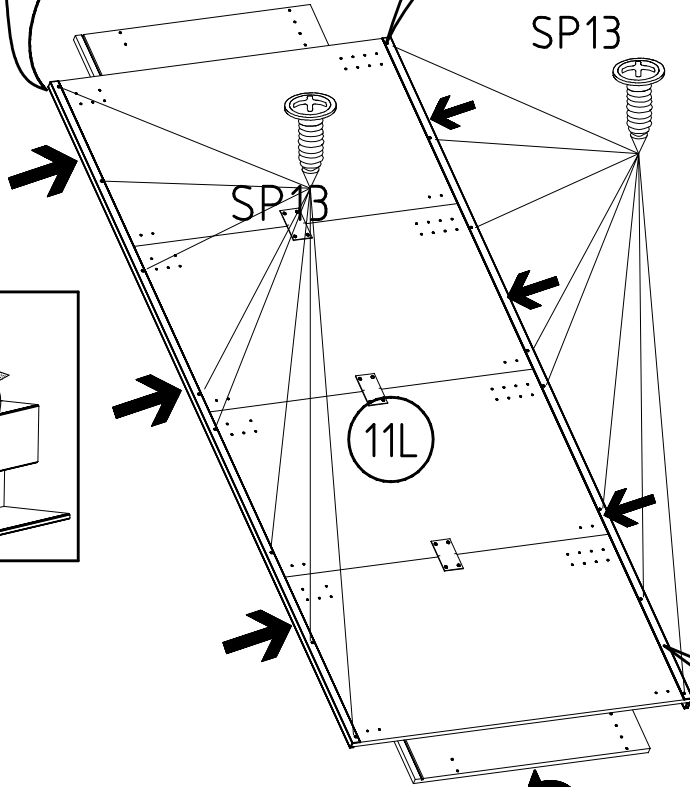
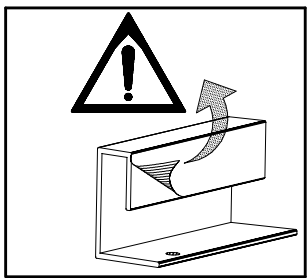


5

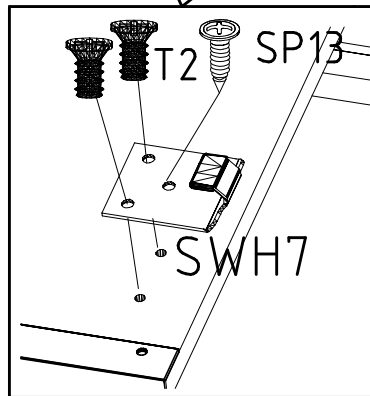
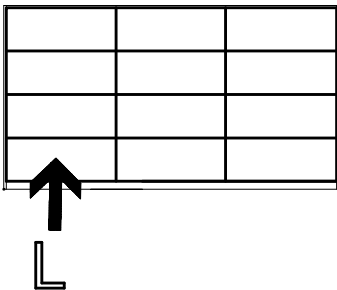
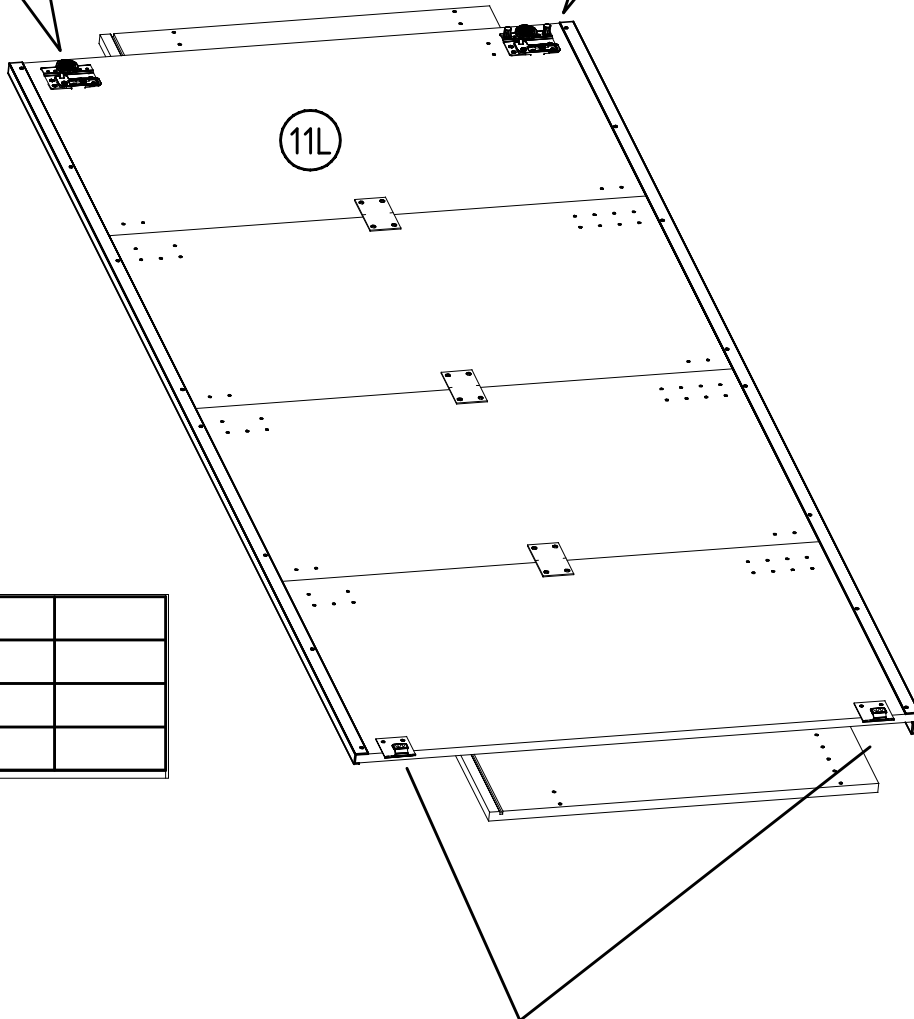
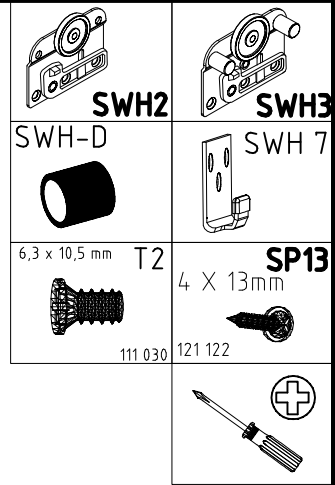
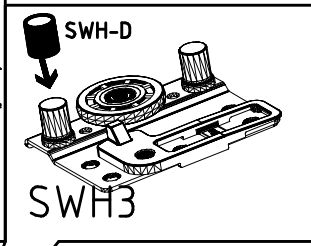
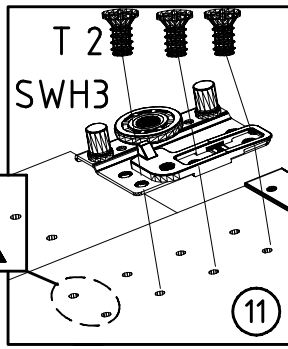
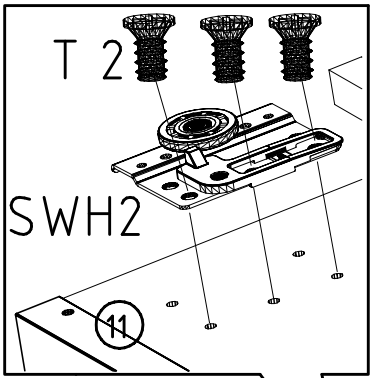


**SP13**  
4 X 13mm  
121 122

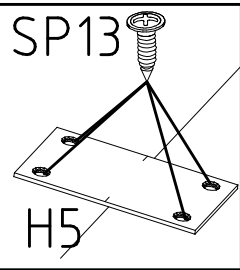
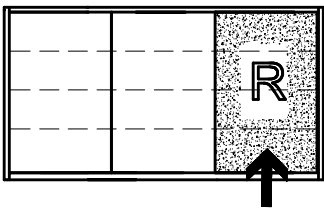
1x 17c    1x 17b


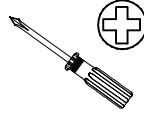


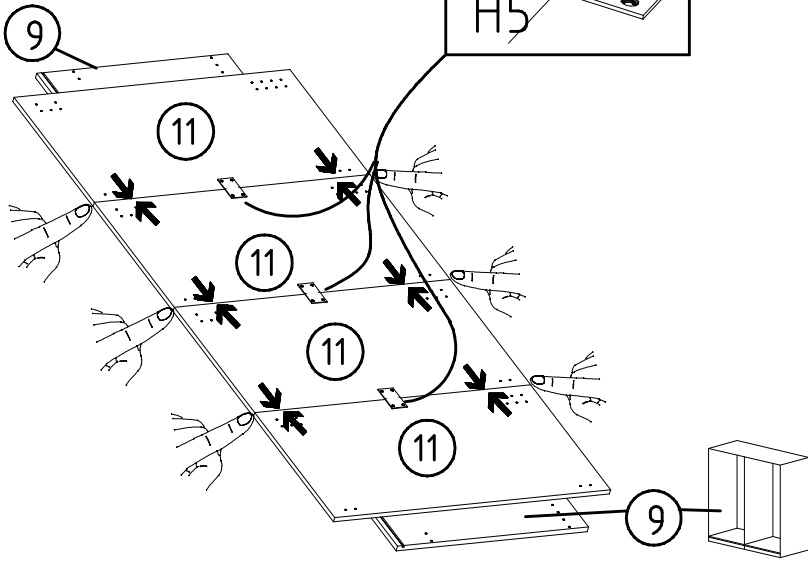
6



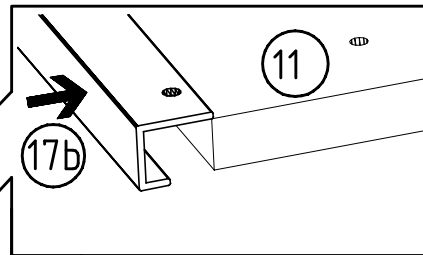
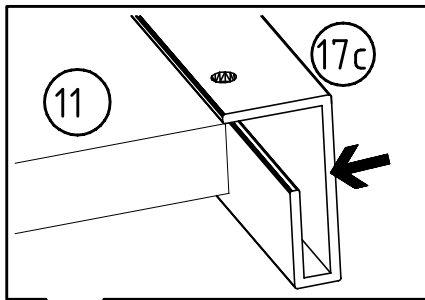
7


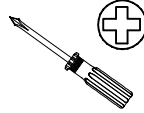


H5 4 X 13mm SP13  
 114 183 121 122  
  




8



SP13 4 X 13mm  
 121 122  
  
  
 1x (17c) 1x (17b)

