



- Ⓧ Montageanleitung
- Ⓛ Assembly Instructions
- Ⓧ Instructions de montage
- Ⓧ Instrucciones de montaje
- Ⓡ Istruzioni per il montaggio
- Ⓡ Montage-instructie

- Ⓧ Instruções de montagem
- Ⓡ Montagevejledning
- Ⓧ Monteringsanvisning
- Ⓧ Instrukcja montażu
- Ⓡ Οδηγία μοντάζ
- Ⓡ Návod k montáži

- Ⓧ Navodilo za montažo
- Ⓡ Návod na montáž
- Ⓧ Szerelési útmutató
- Ⓡ Инструкция по монтажу
- Ⓡ Montaj kılavuzu

① + ② + ③ = 239-300cm
 ① + ② + ③ = 202-265cm
 ① + ③ = 165-226cm

- ① (2X)
- ② (4X)
- ③ (2X)
- ④ (1X)
- ⑤ (2X)
- ⑥ (2X)
- ⑦ (2X)
- ⑧ (4X)
- ⑨ (8X)
- ⑩ (2X)
- ⑪ (3X)
- ⑫ (3X)
- ⑬ (1X)

1 x2: Assemble the main stem (1) with the top cap (5) and the first section (2).

2: Attach the second section (2) to the stem.

3: Attach the third section (3) to the stem.

4: Attach the fourth section (4) to the stem.

5: Attach the fifth section (5) to the stem.

6: Attach the sixth section (6) to the stem.

7: Attach the seventh section (7) to the stem. The final length is 165-300cm.

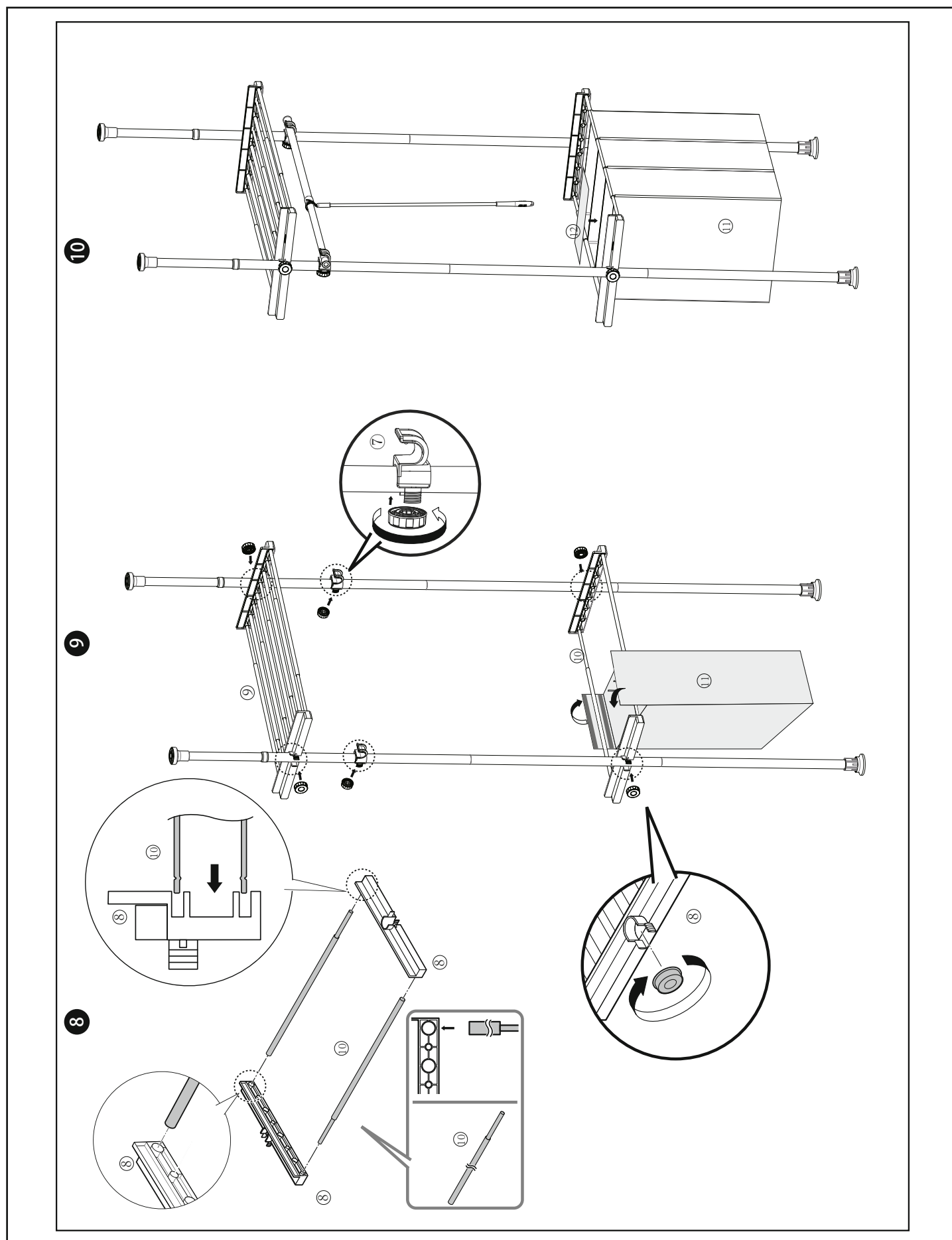
Additional detail: The distance between the top and bottom sections is 73-120cm.



- Ⓧ Montageanleitung
- ⓈB Assembly Instructions
- Ⓧ Instructions de montage
- Ⓧ Instrucciones de montaje
- Ⓧ Istruzioni per il montaggio
- Ⓧ Montage-instructie

- Ⓧ Instruções de montagem
- ⓍK Montagevejledning
- Ⓧ Monteringsanvisning
- Ⓧ Instrukcja montażu
- Ⓧ Οδηγία μοντάζ
- Ⓧ Návod k montáži

- Ⓧ Navodilo za montažo
- ⓍK Návod na montáž
- Ⓧ Szerelési útmutató
- Ⓧ Инструкция по монтажу
- Ⓧ Montaj kılavuzu



© WENKO® 01.06.2022 69797800

