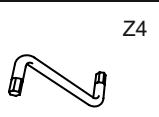


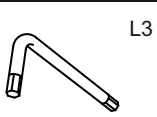
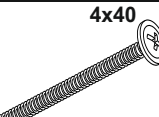
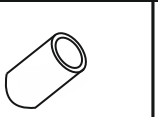
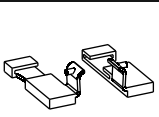
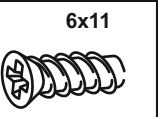
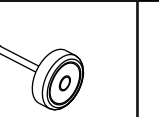
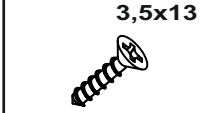
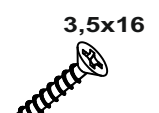
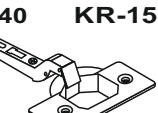
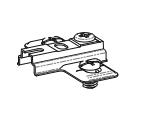


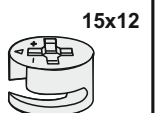
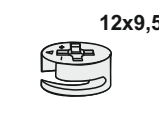
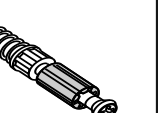
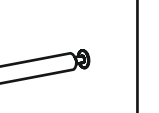
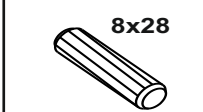
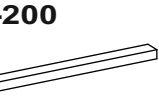
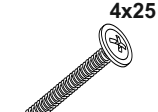
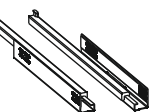
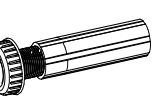
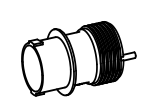

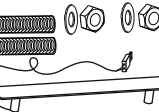
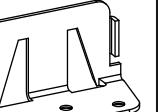
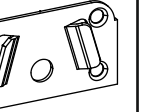
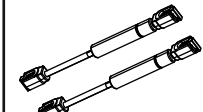
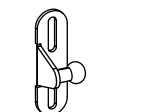
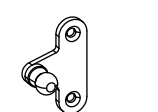

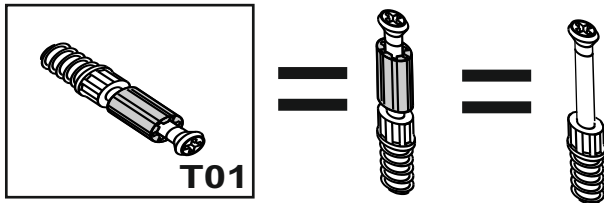
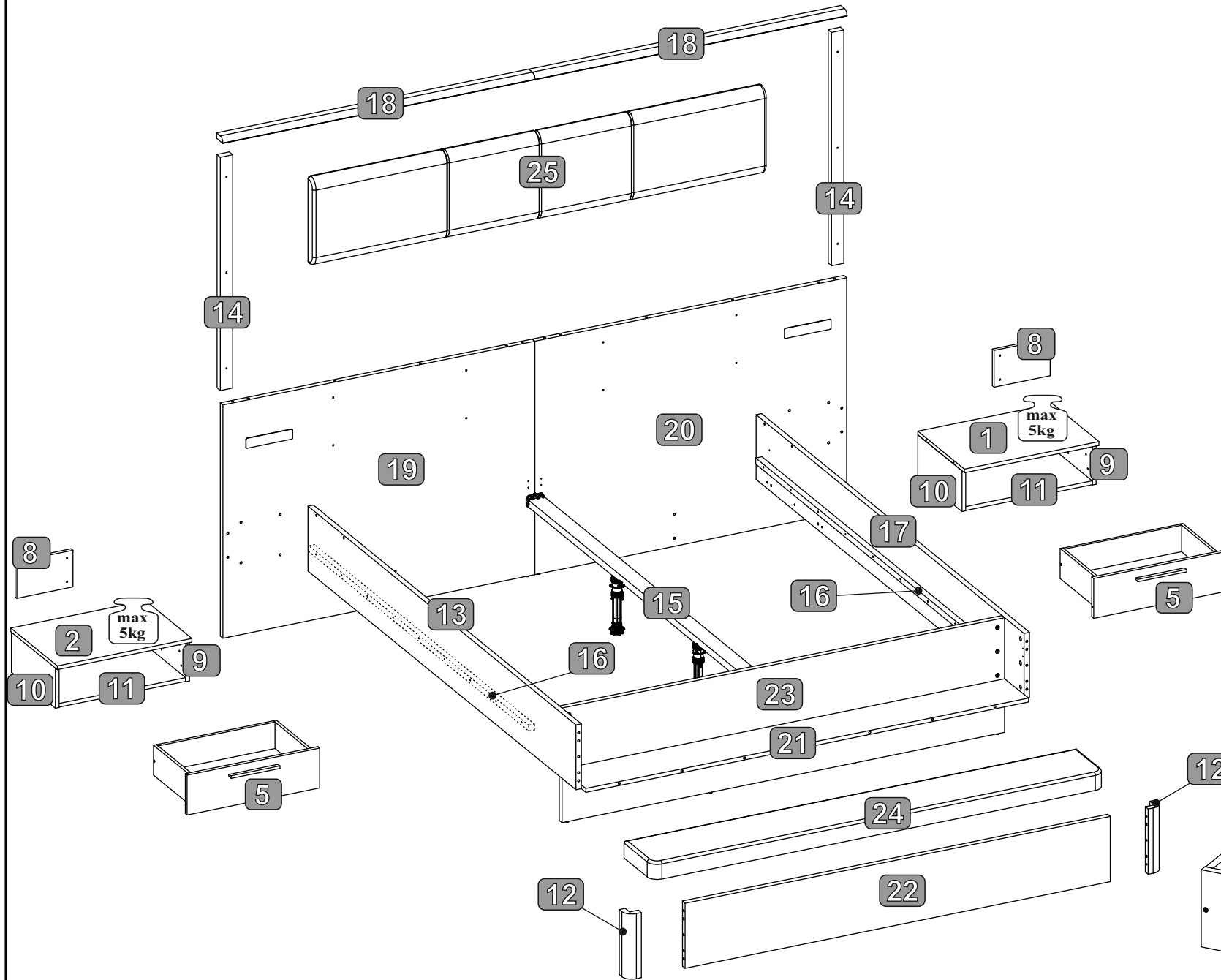
 7x70 18x W70	 Z4 2x K01	 7x40 4x W40	 5x40 4x W16	 L3 1x K02	 4x40 40x W28	 G10 8x	 B12 2x _{L+R}	 6x11 8x W12	 S01 8x
 3,5x13 8x W02	 3,5x16 18x W30	 Φ40 KR-15 3x Z08	 Z10 3x	 R01 8x	 4x30 4x W23	 15x12 62x T02	 12x9,5 4x T12	 T01 58x	 T03 4x
 8x28 62x D01	 L-200 2x U46	 4x25 4x W05	 P05 2x _{L+R}	 NOG 2x	 REG 4x	 O51 1x	 O54 2x	 L08 2x	 L08 2x
 SG2 1x	 SG2 2x	 SG2 2x	 3,5x15 8x W01						

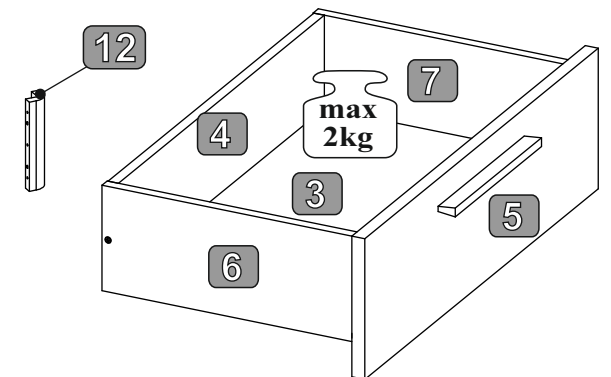


0 10 20 30 40 50 60 70 80 90 100 110 120 130 140 150 160 170 180 190 200

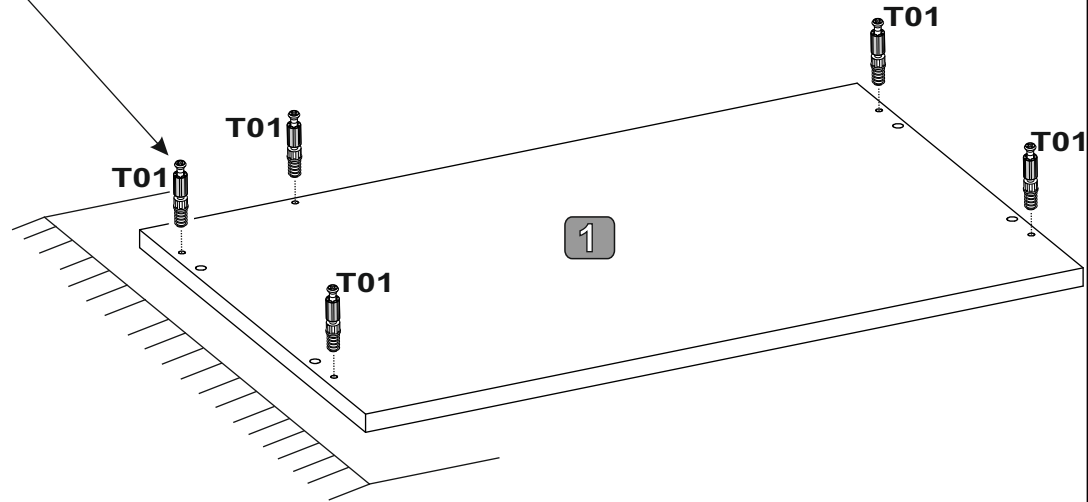
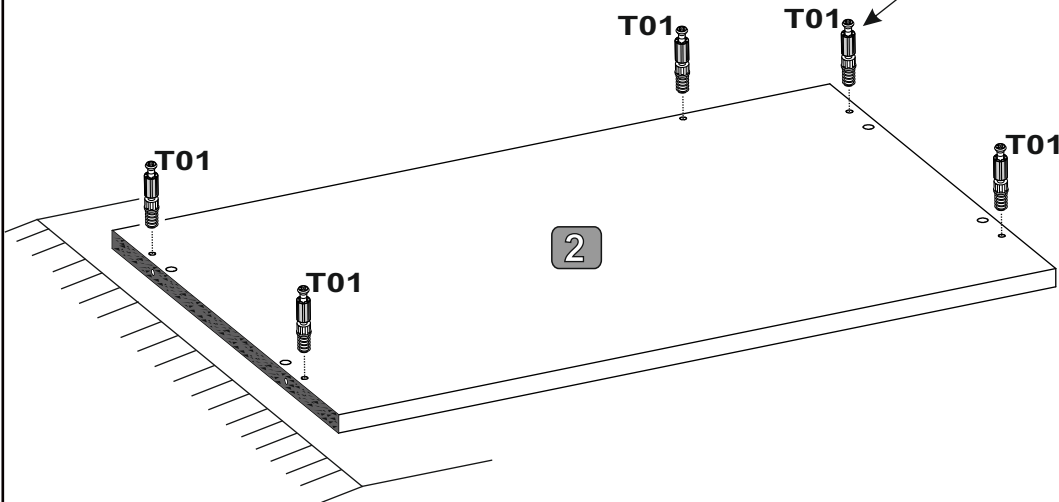
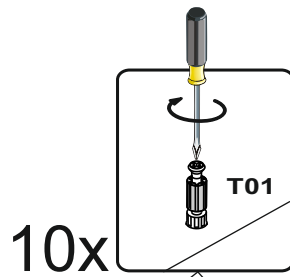
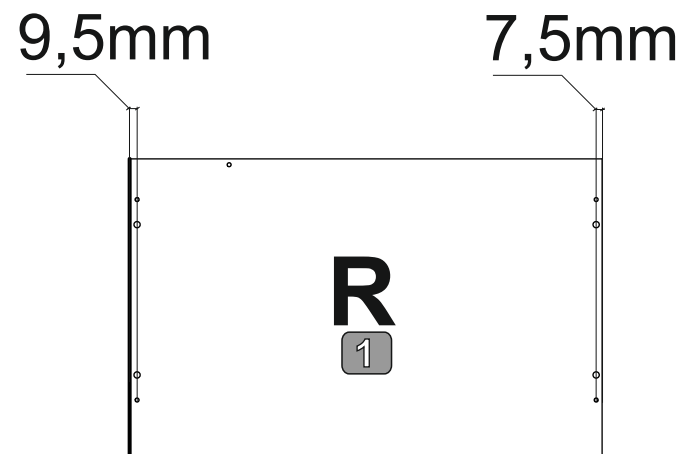
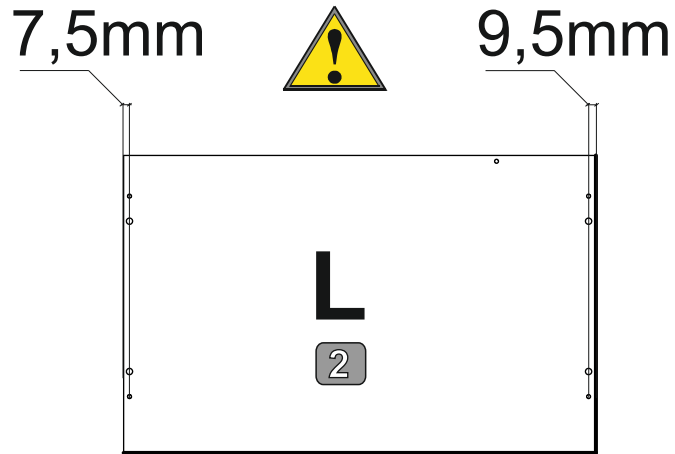
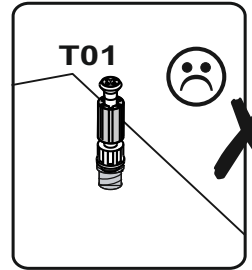
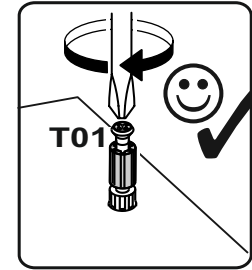
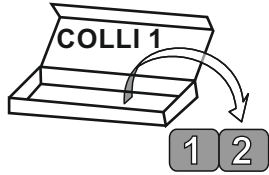
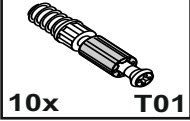




NR	DIM	QTE	COLLI
1	550x380x15	1	1/6
2	550x380x15	1	1/6
3	489x300x2	2	1/6
4	478x120x12	2	1/6
5	542x160x15	2	1/6
6	300x120x12	2	1/6
7	300x120x12	2	1/6
8	147x229x15	2	1/6
9	163x360x15	2	1/6
10	163x360x15	2	1/6
11	518x359x15	2	1/6
12	261x60x60	2	1/6
13	2191x260x22	1	2/6
14	935x50x28	2	2/6
15	1993x65x28	1	2/6
16	1916x25x25	2	2/6
17	2191x260x22	1	2/6
18	1276x51x22	2	3/6;4/6
19	1275x935x22	1	3/6
20	1275x935x22	1	4/6
21	1810x195x15	1	5/6
22	1738x261x22	1	5/6
23	1810x459x22	1	5/6
24	1872x252x76	1	6/6
25	1865x354x54	1	6/6



1



2

15x12 12x T02	8x28 8x D01	2x T01
------------------	----------------	--------

COLLI 1

8 11

4x T02

T02

4x T02

D01

D01

D01

D01

11

L

11

T01

D01

D01

D01

D01

11

R

11

T01

T01

T01

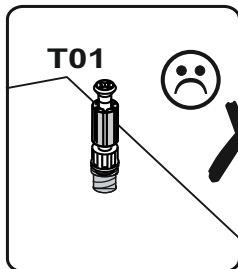
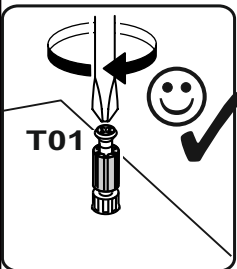
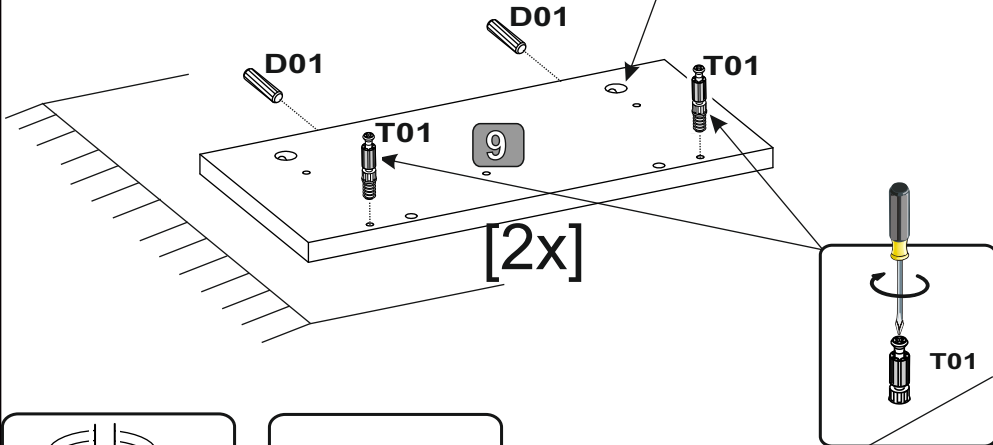
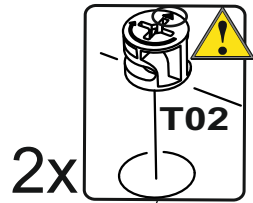
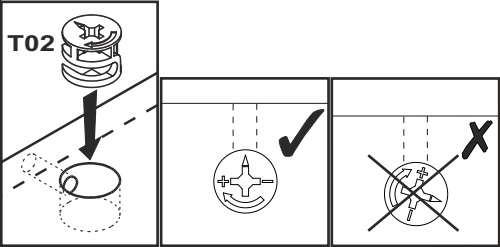
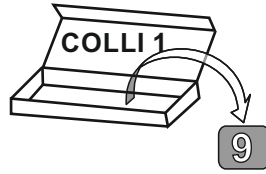
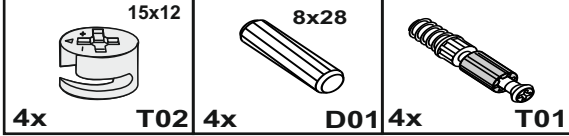
T01

[2x]

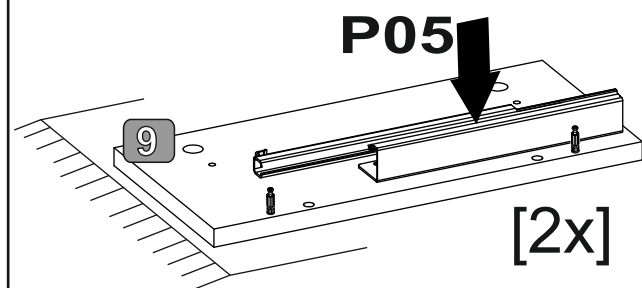
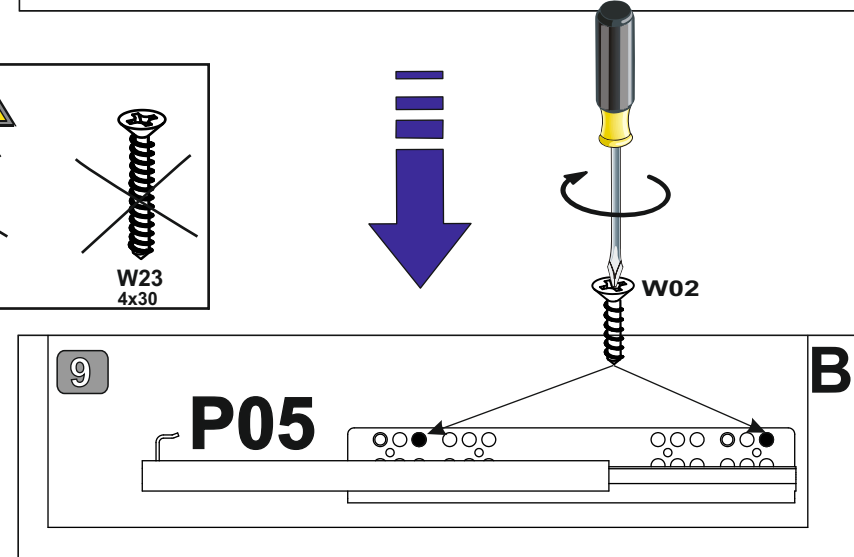
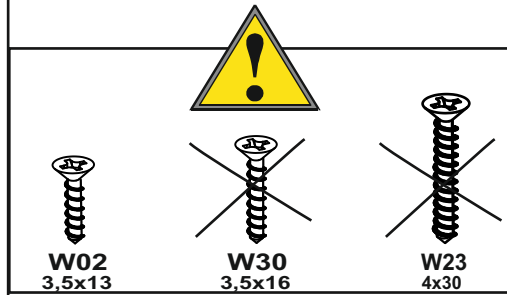
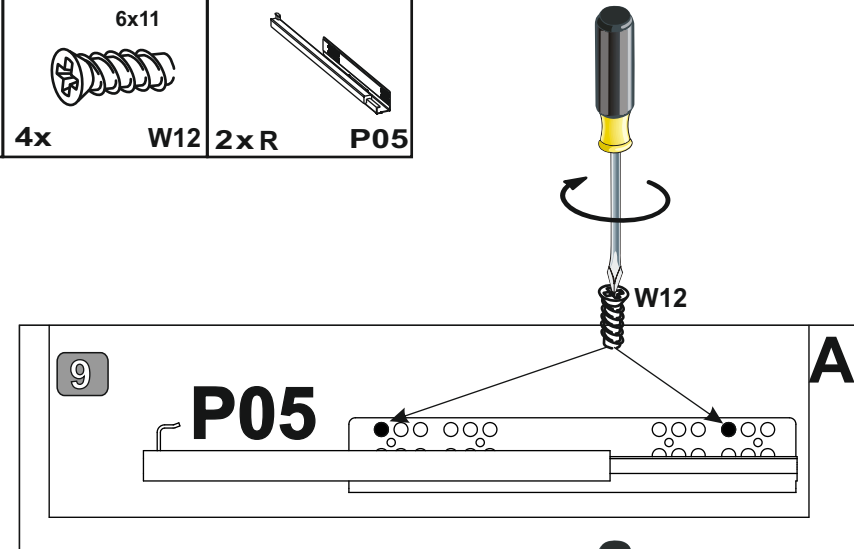
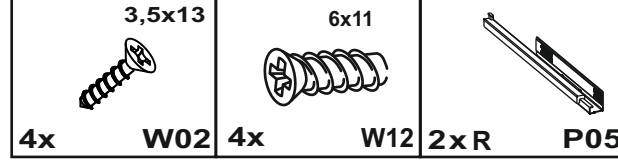
8

T02

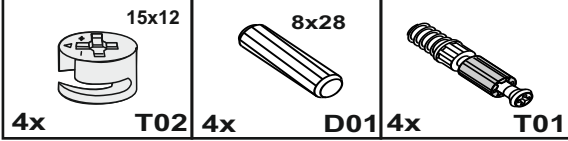
3



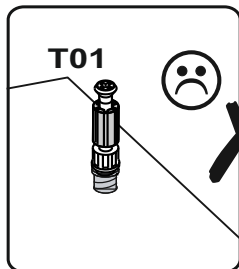
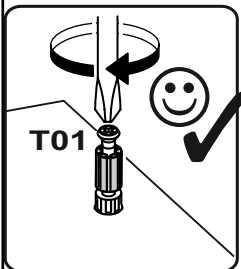
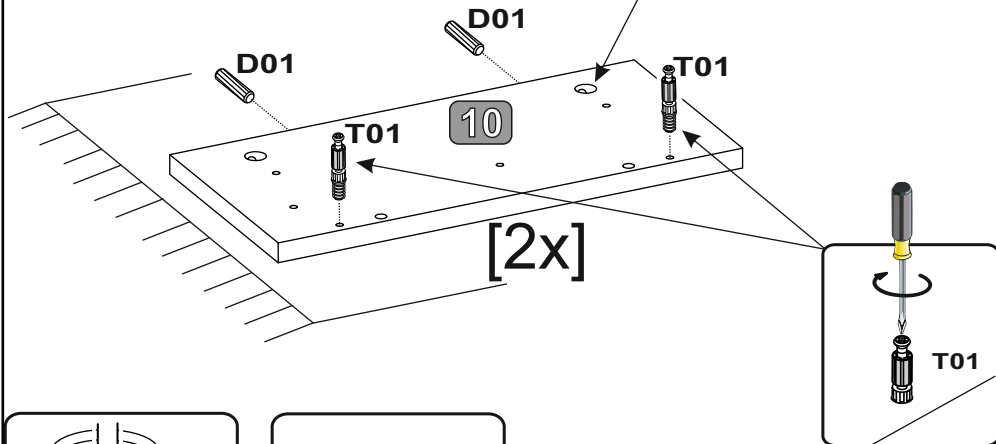
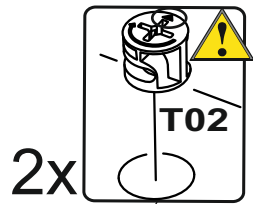
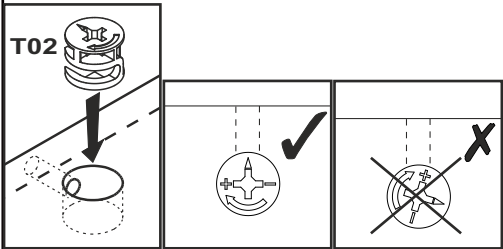
4



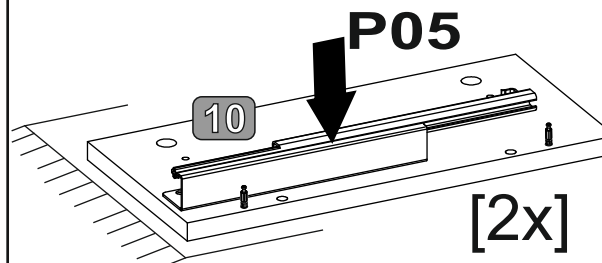
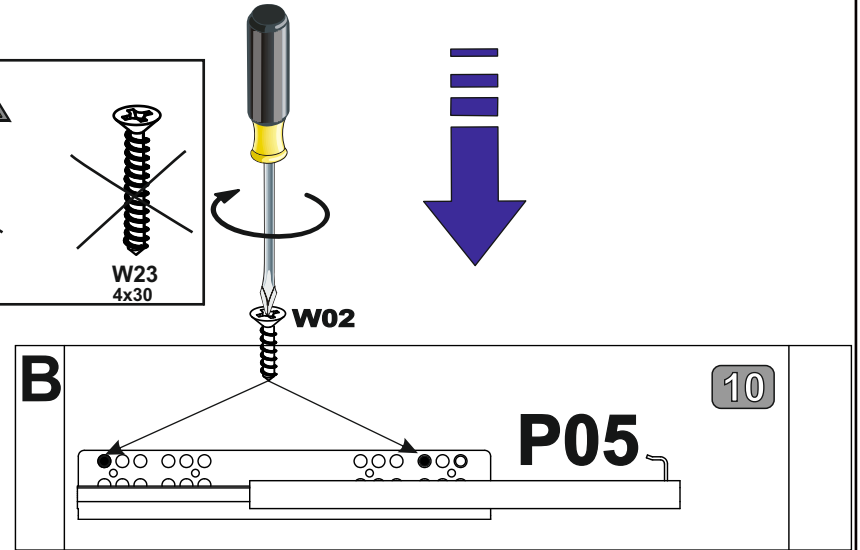
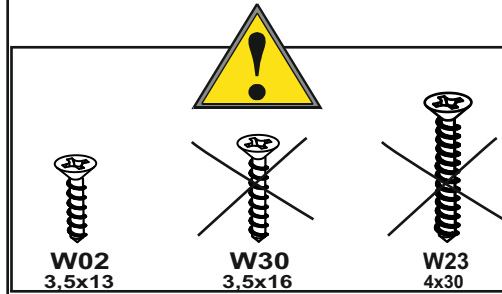
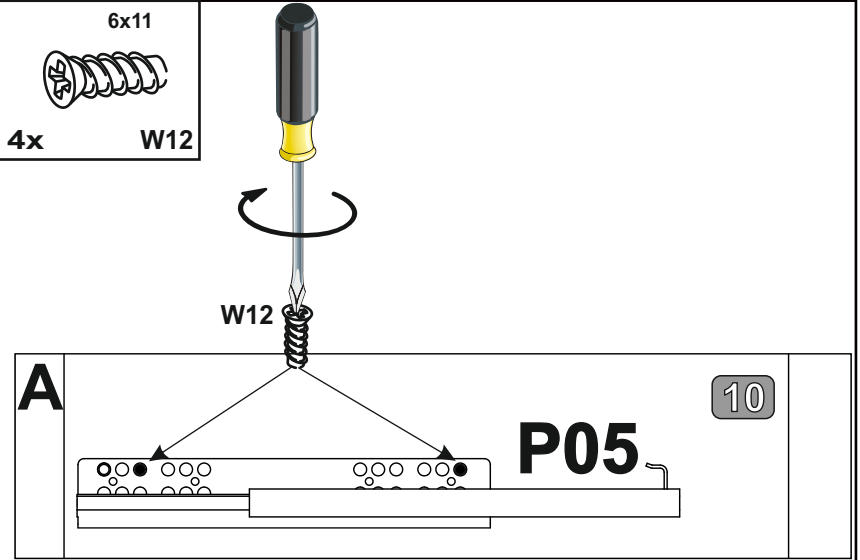
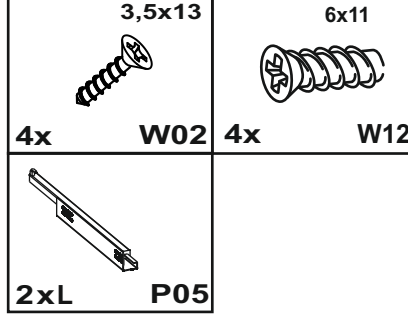
5



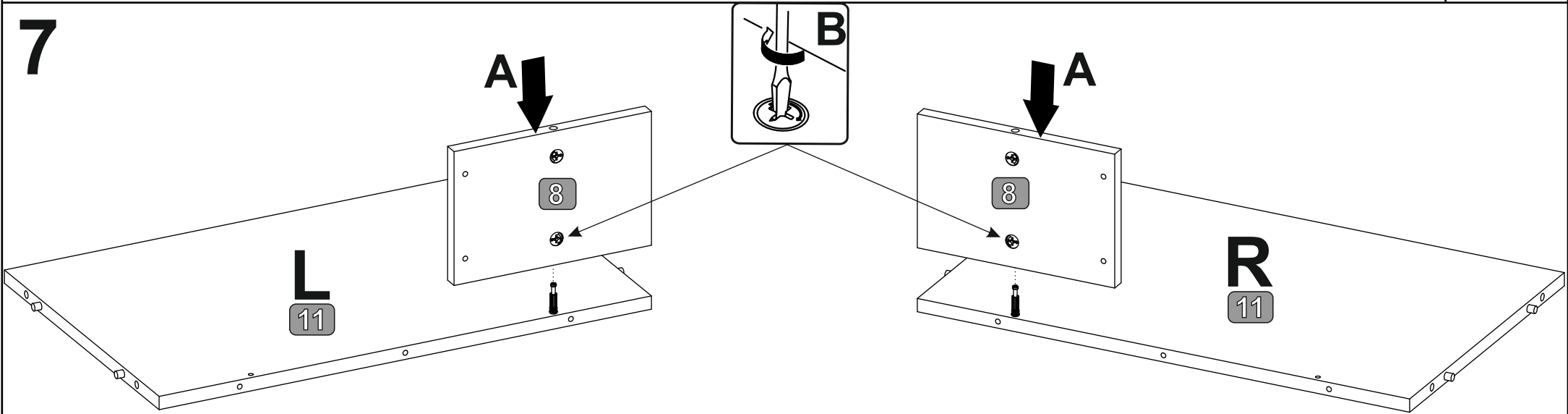
10



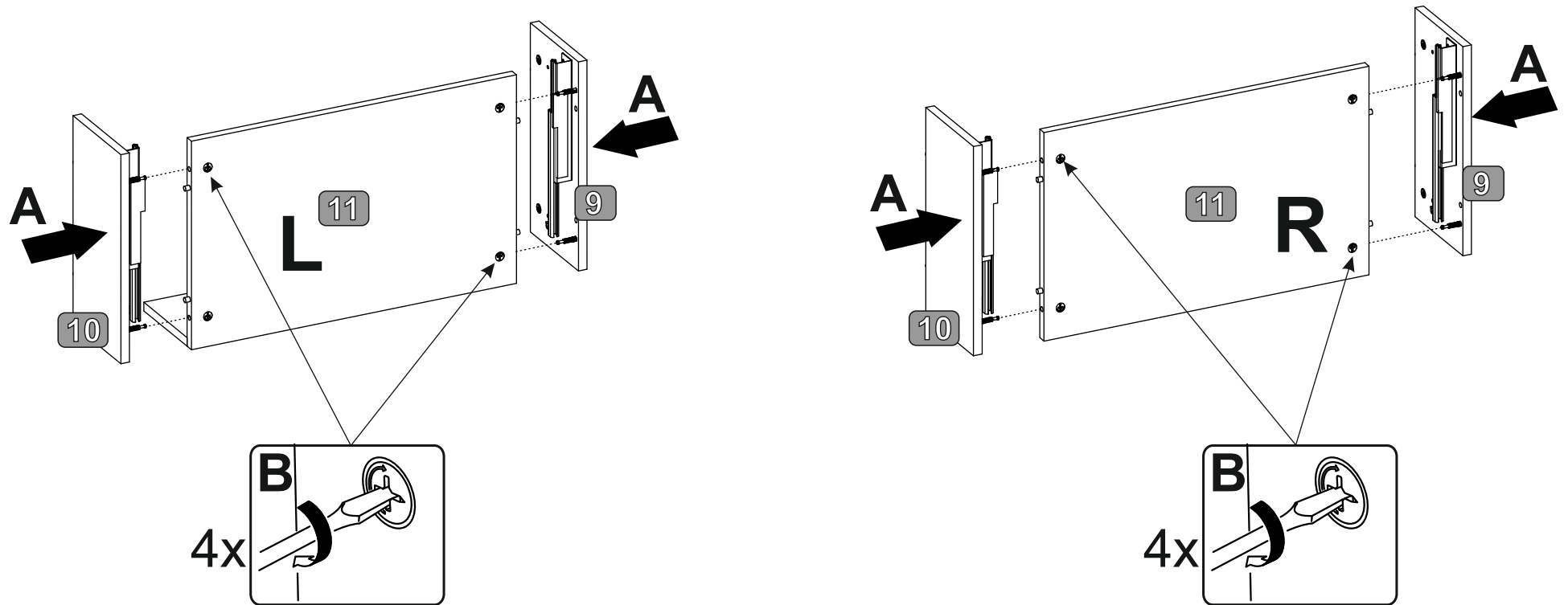
6



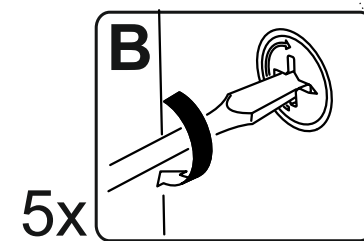
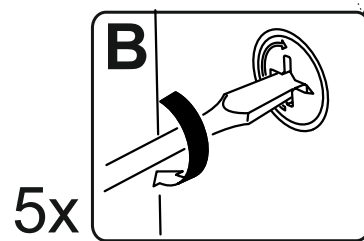
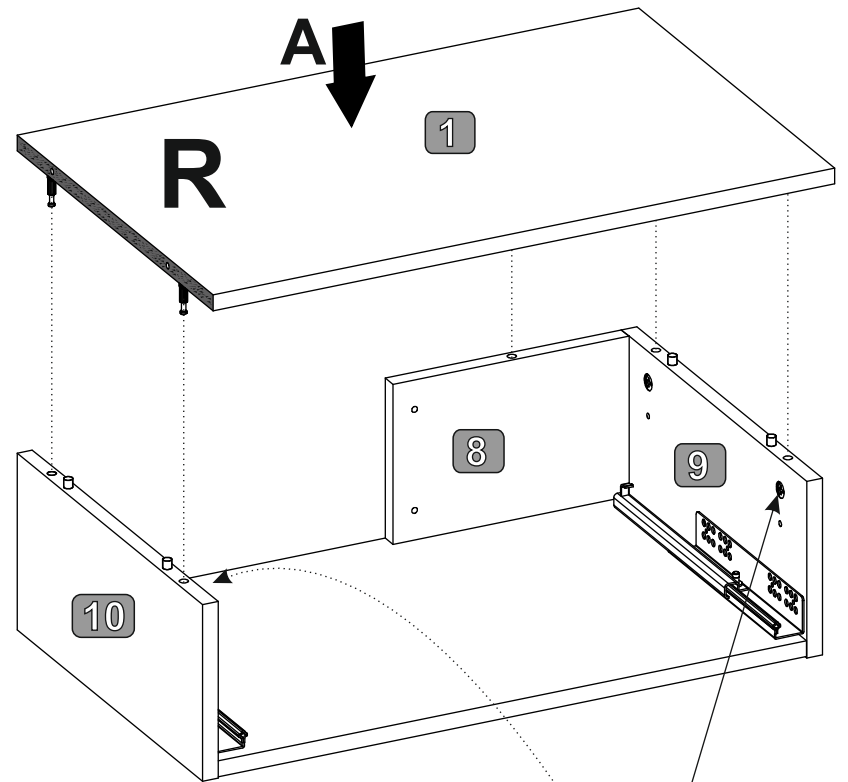
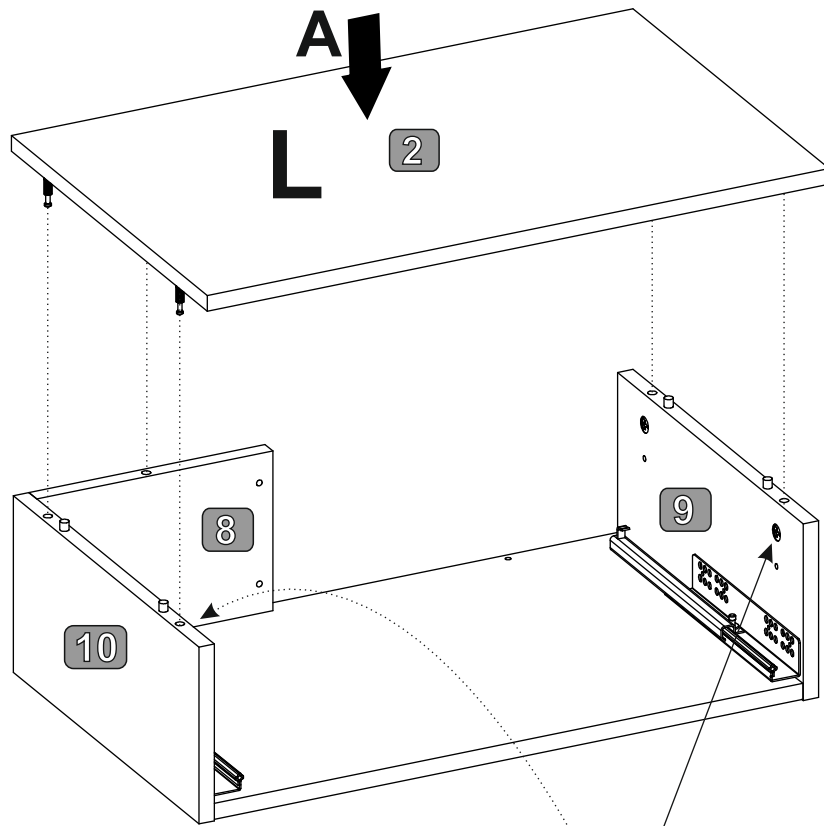
7



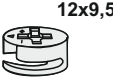

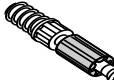
8




9



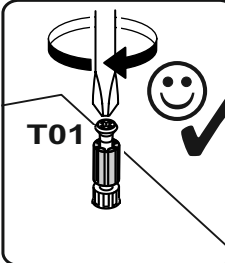
10

 12x9,5 4x T12	 8x28 16x D01	 4x T01
-------------------------------------------------------------------------------------------------------	------------------------------------------------------------------------------------------------------	---------------------------------------------------------------------------------------------

COLLI 1

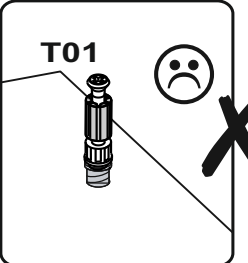


4 5 6 7



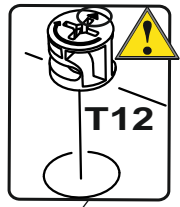
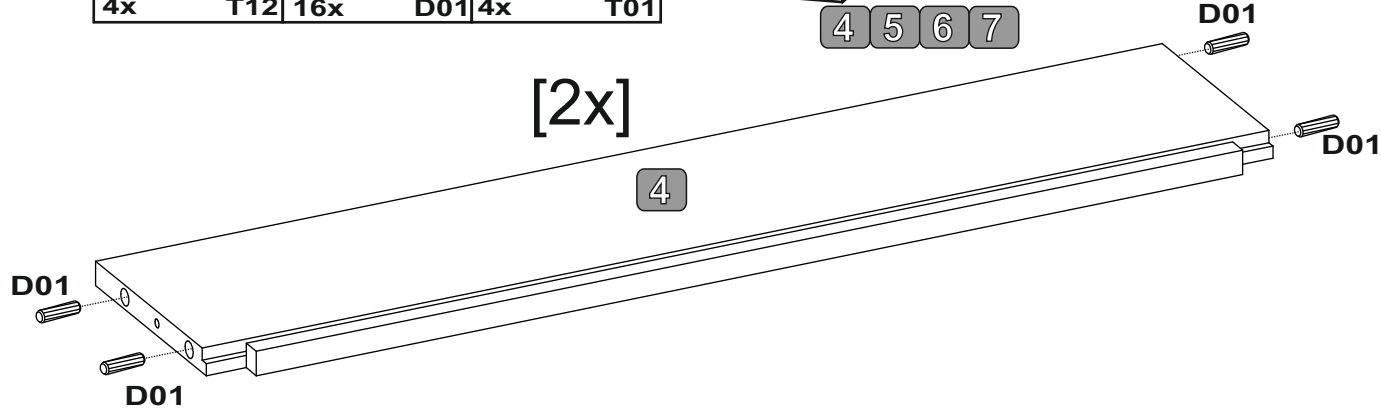
T01

☺ ✓



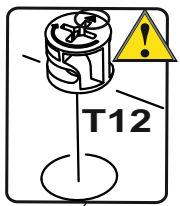
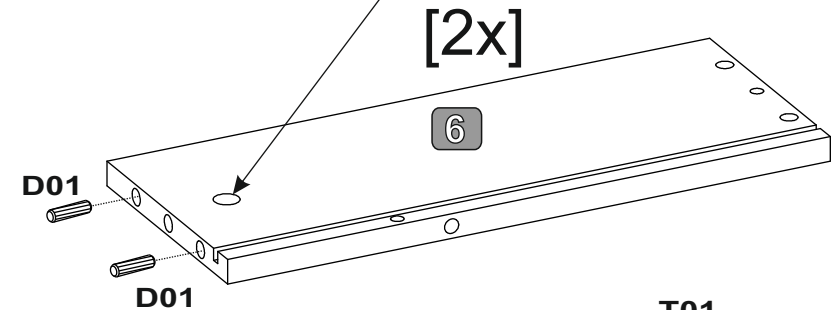
T01

☹ ✗



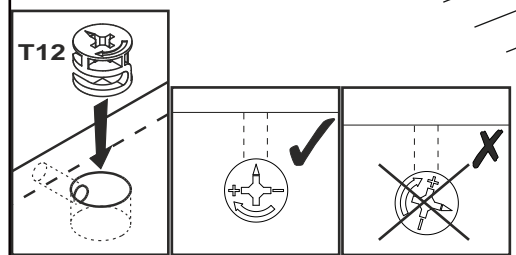
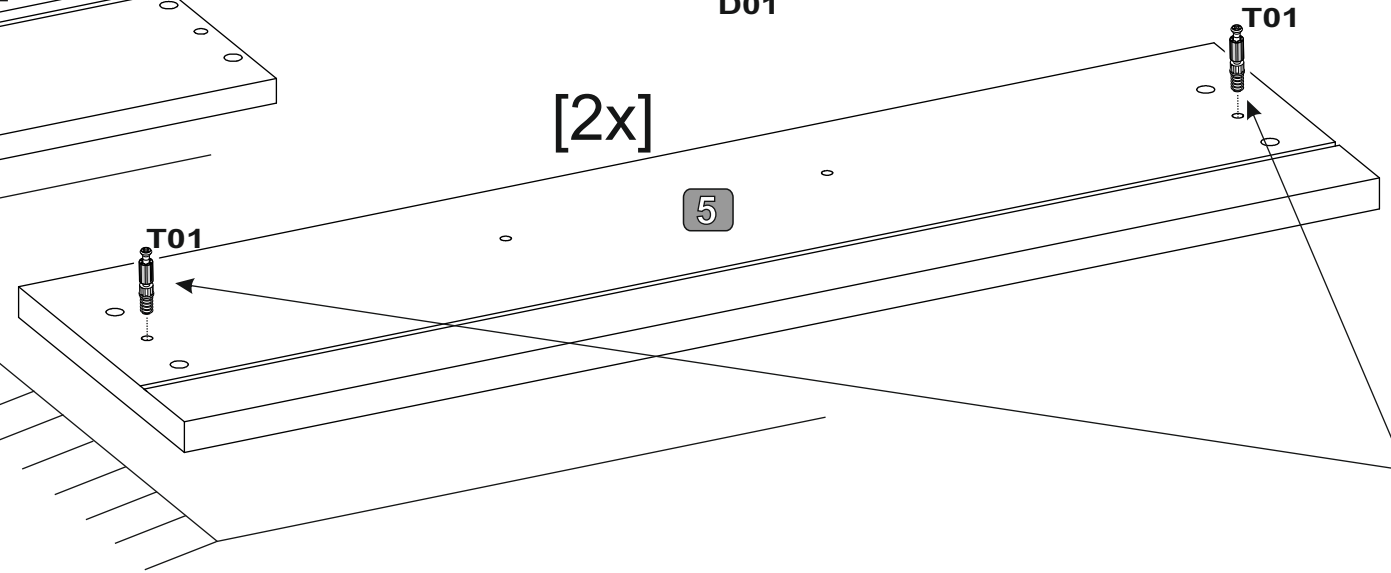
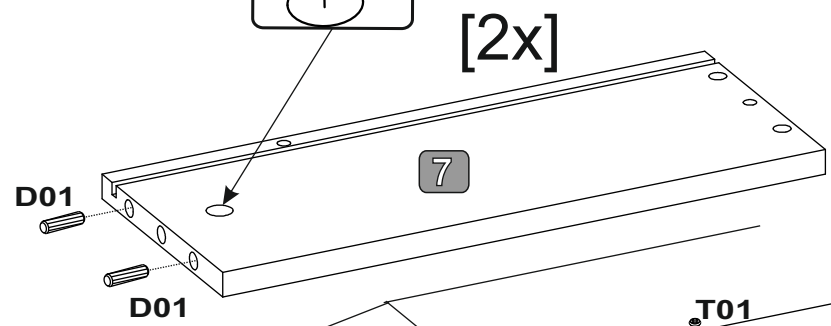
!

T12



!

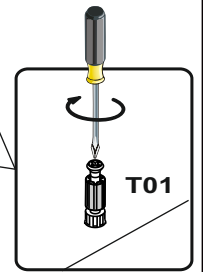
T12



T12





☺ ✓

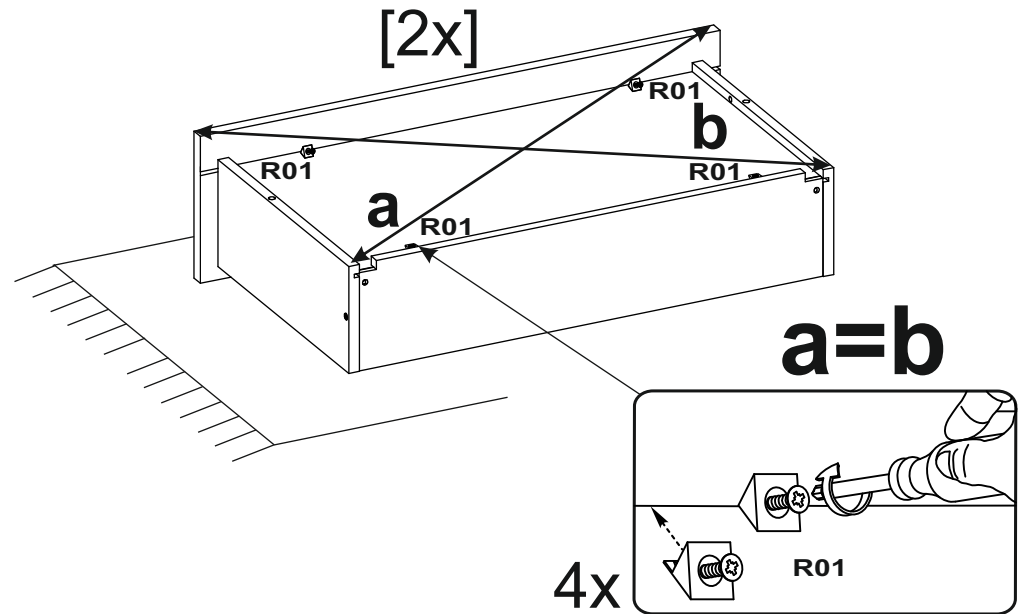
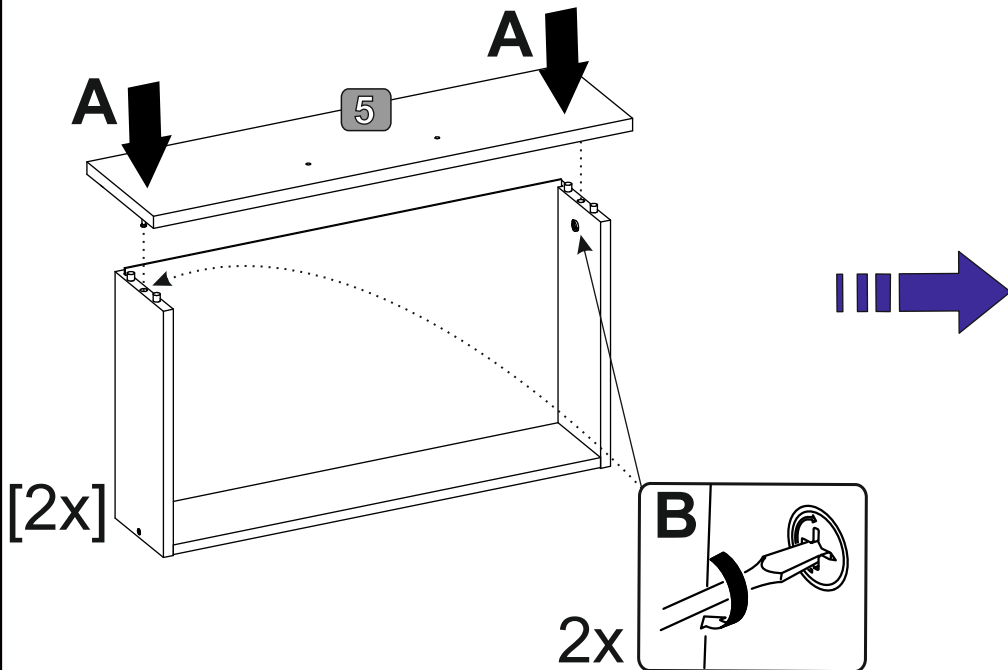
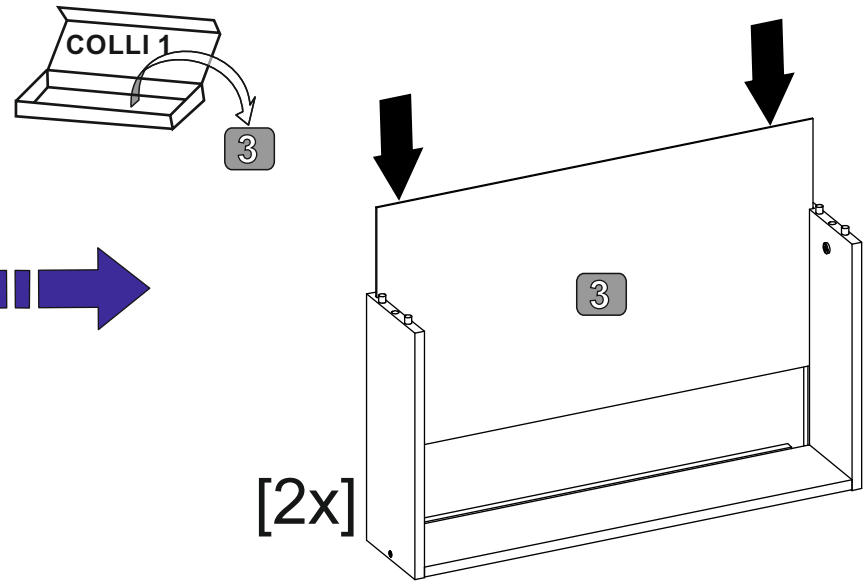
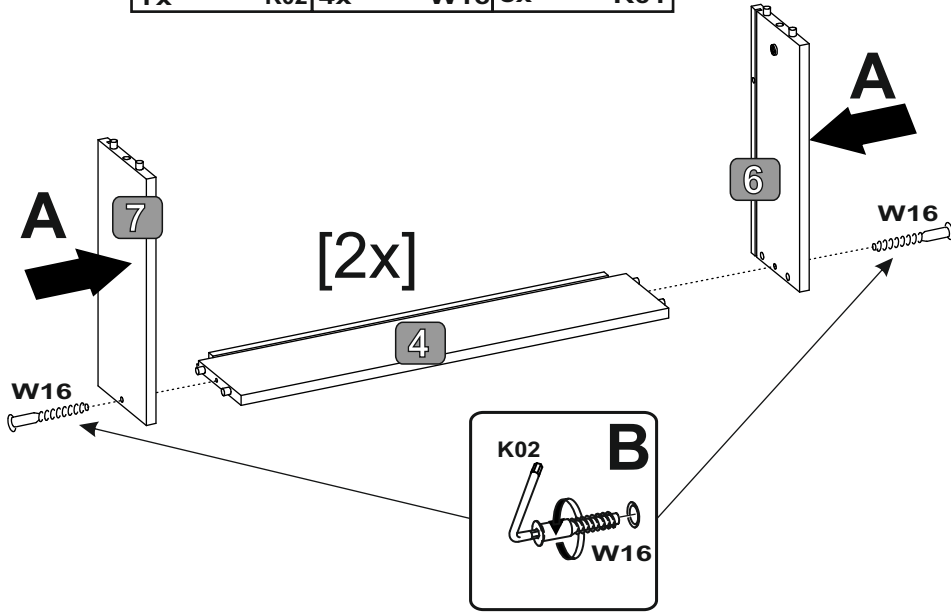
☹ ✗



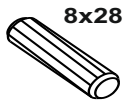
T01

11

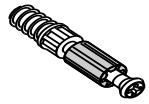
 L3 1x	 K02 4x	 W16 5x40	 R01 8x
-----------------------------------------------------------------------------------------------	------------------------------------------------------------------------------------------------	--------------------------------------------------------------------------------------------------	------------------------------------------------------------------------------------------------



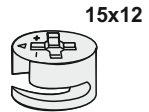
12



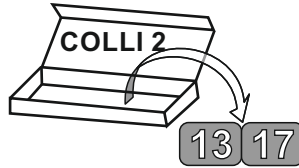
8x D01



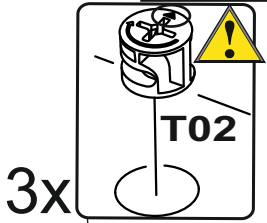
6x T01



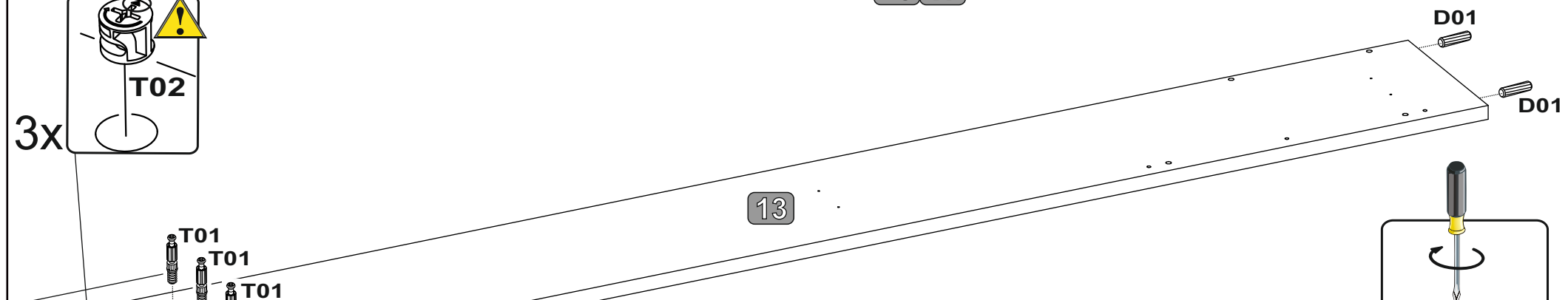
6x T02



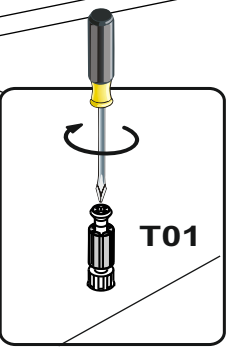
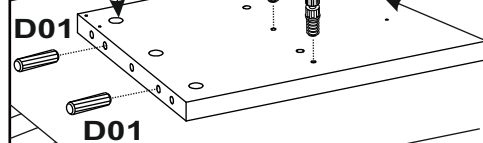
13 17



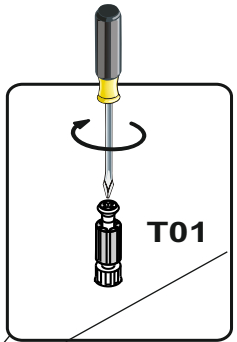
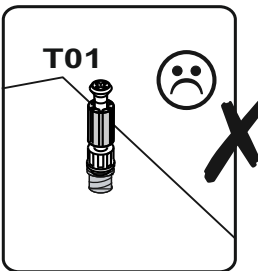
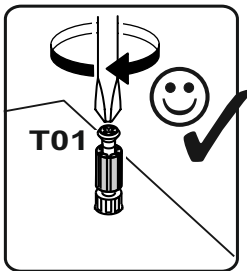
3x



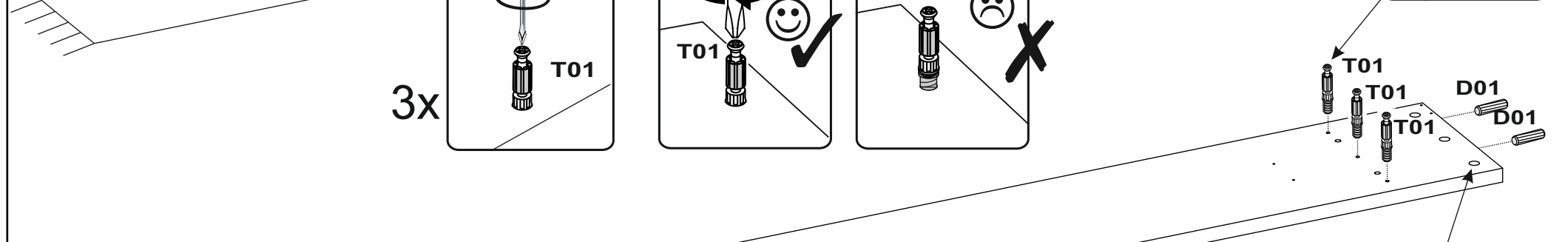
13



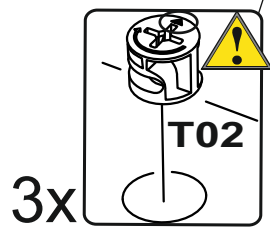
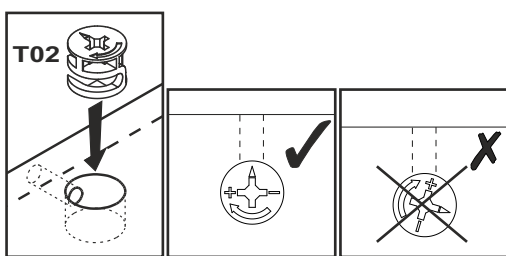
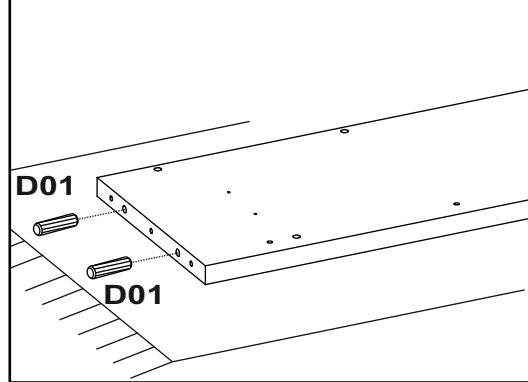
3x



3x

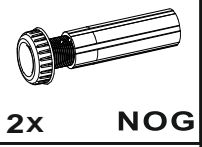


17



3x

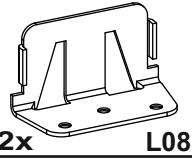
13



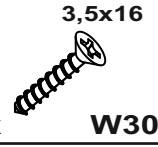
2x NOG



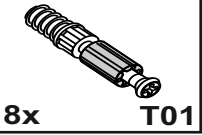
4x REG



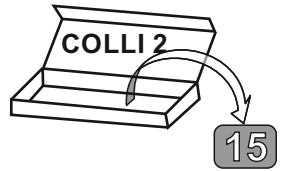
2x L08



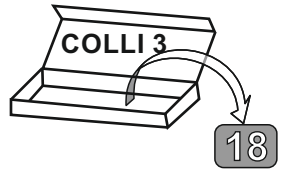
3,5x16
4x W30



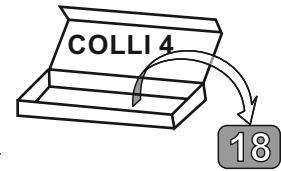
8x T01



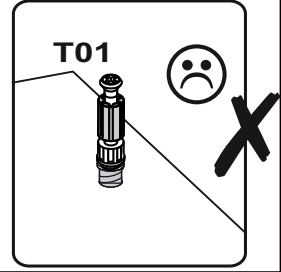
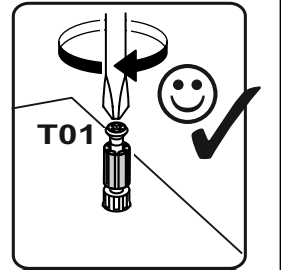
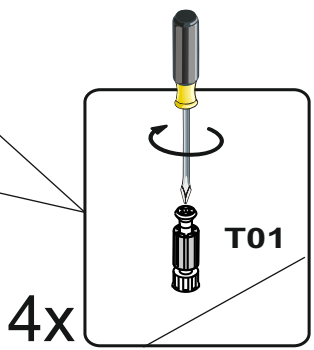
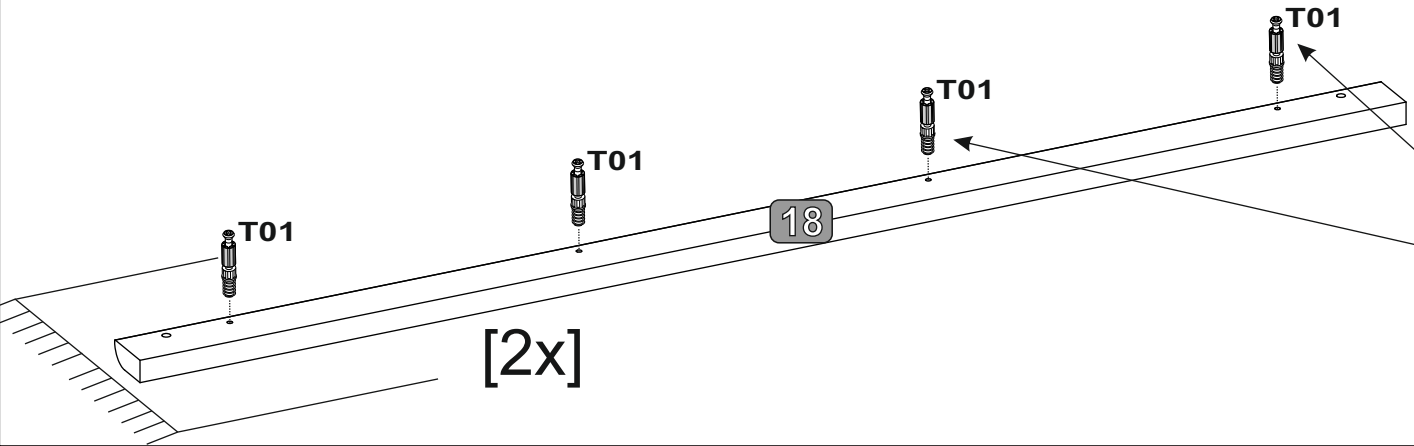
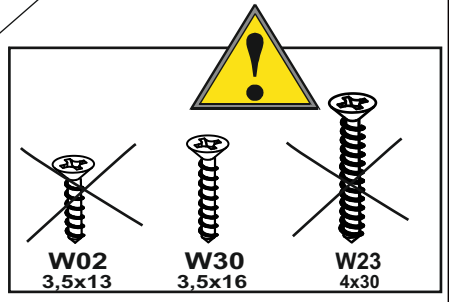
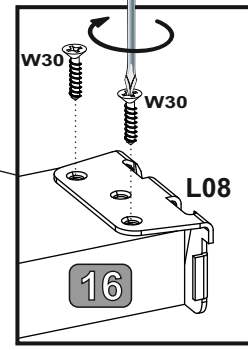
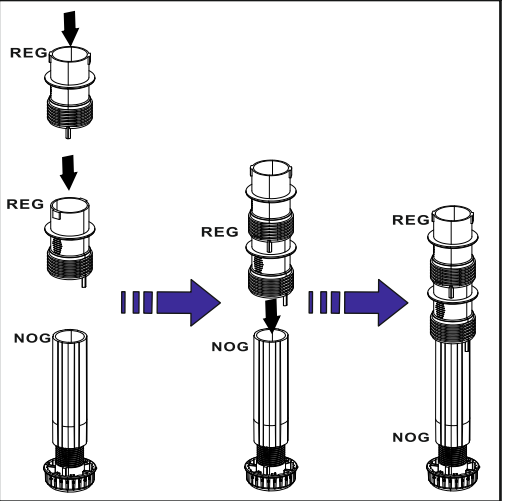
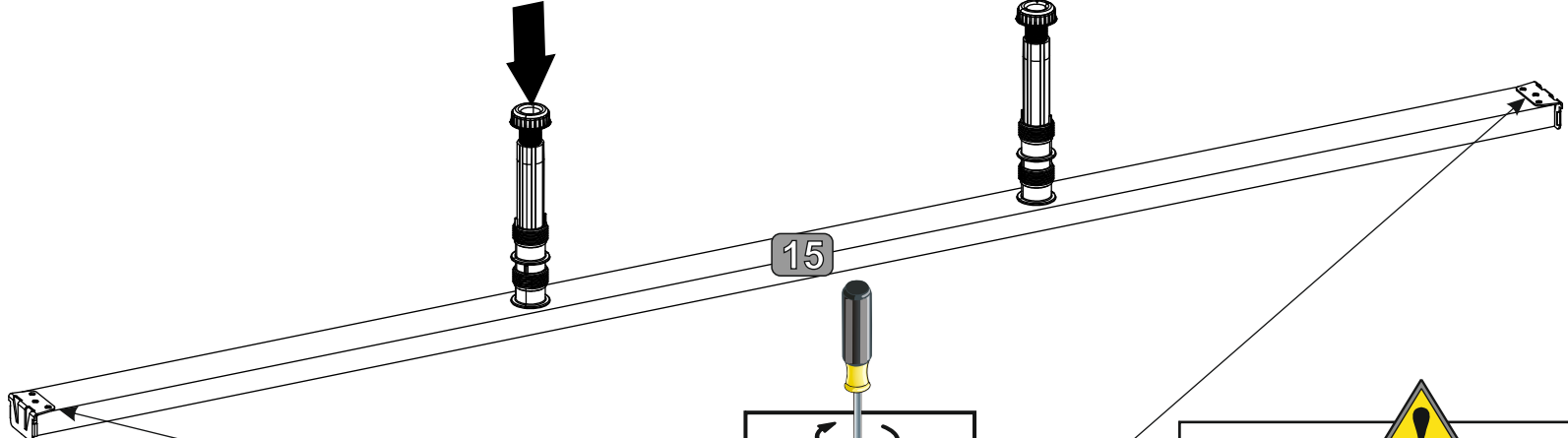
15



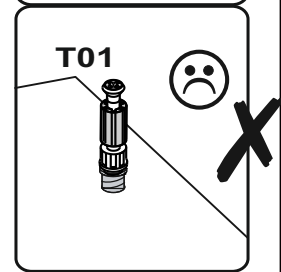
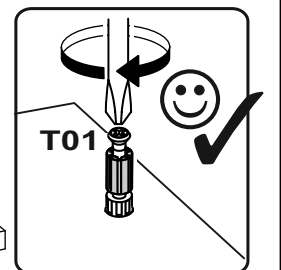
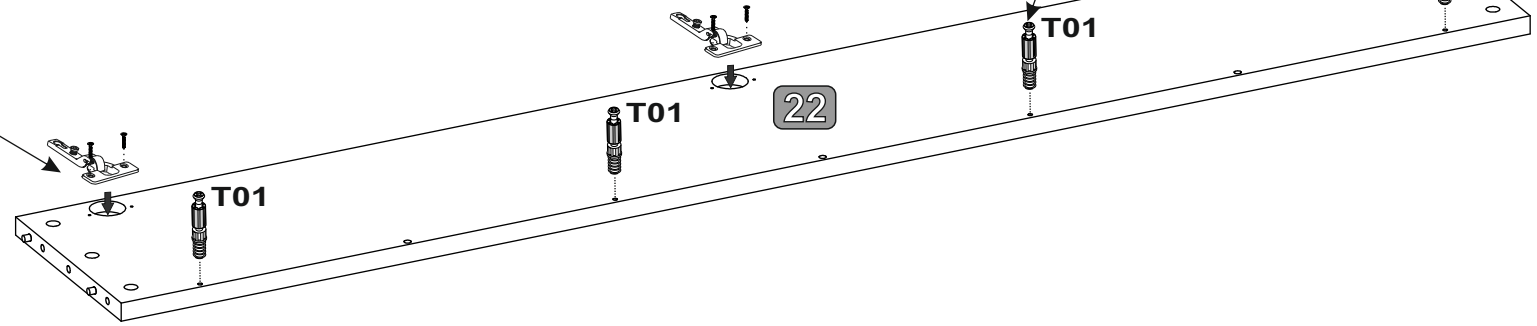
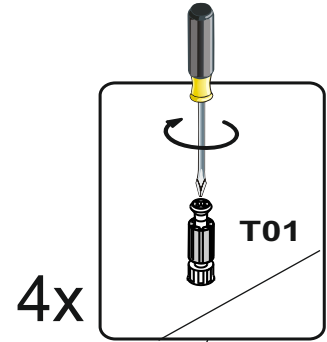
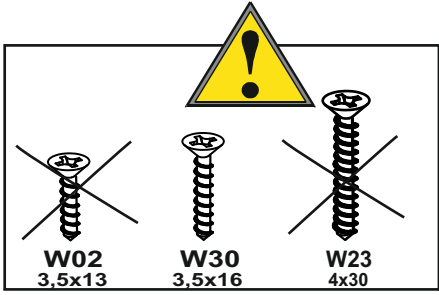
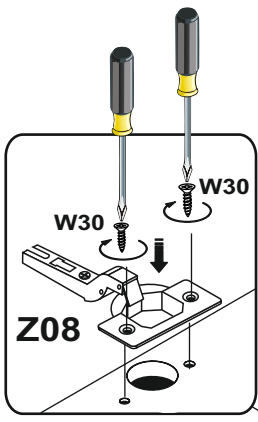
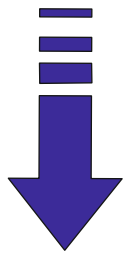
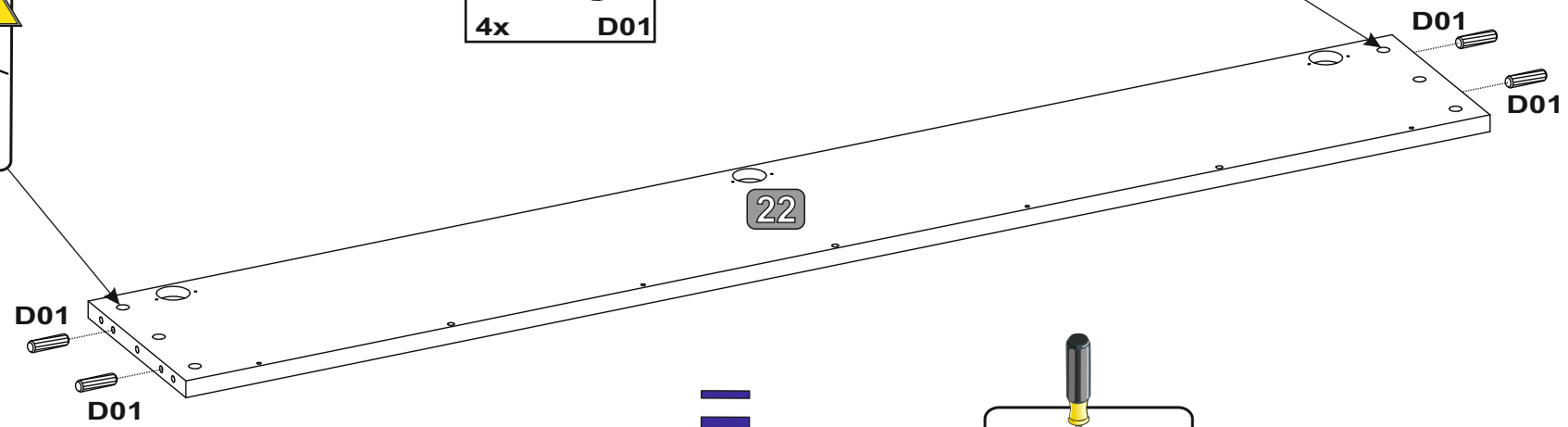
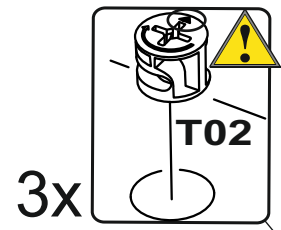
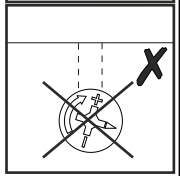
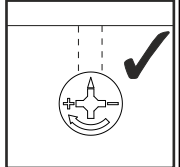
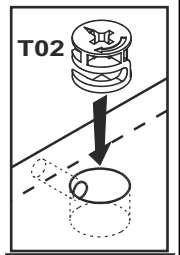
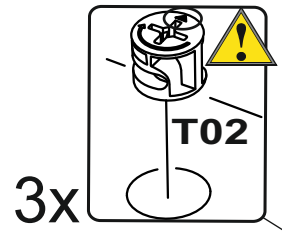
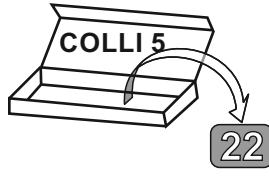
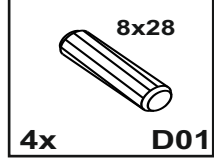
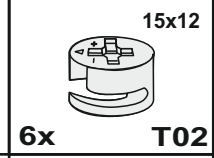
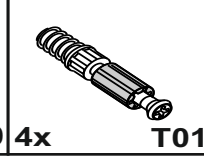
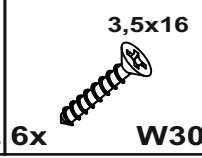
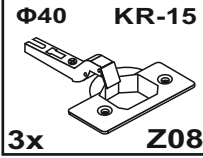
18



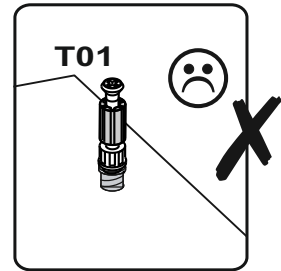
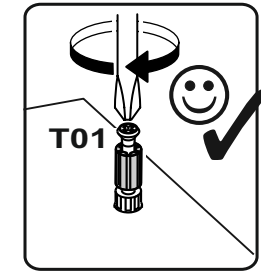
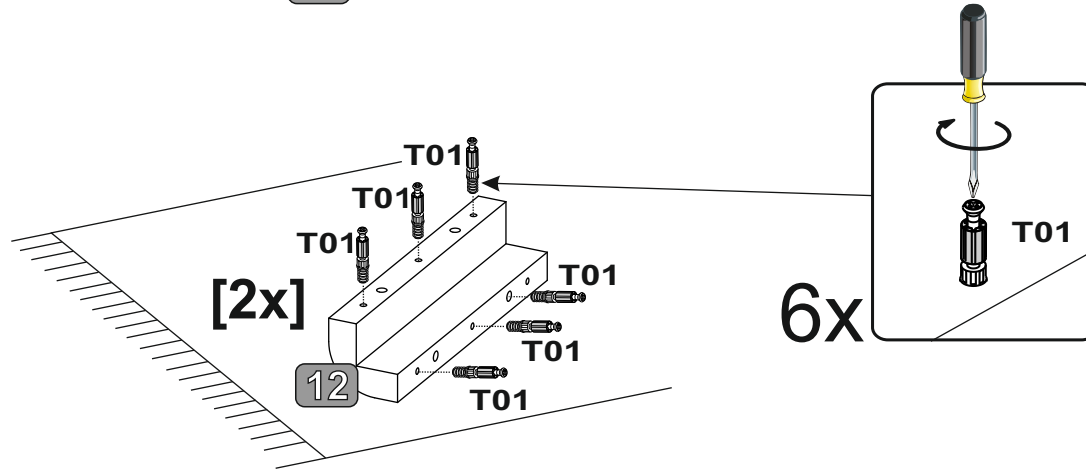
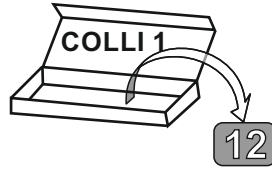
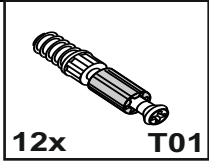
18



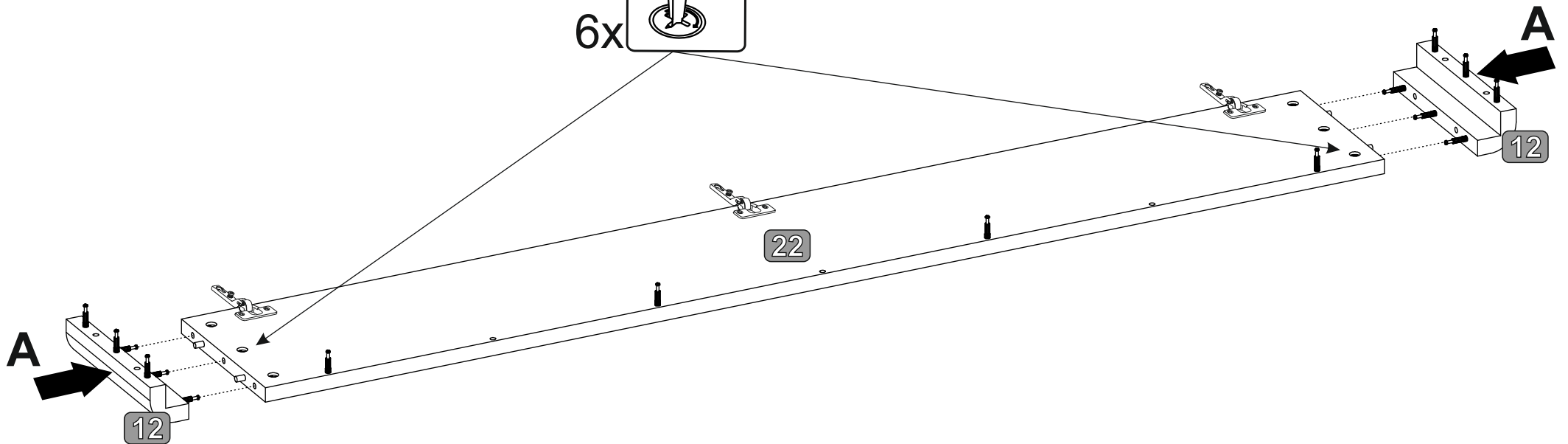
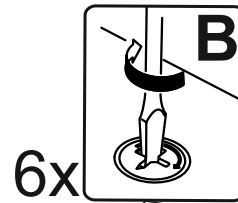
14



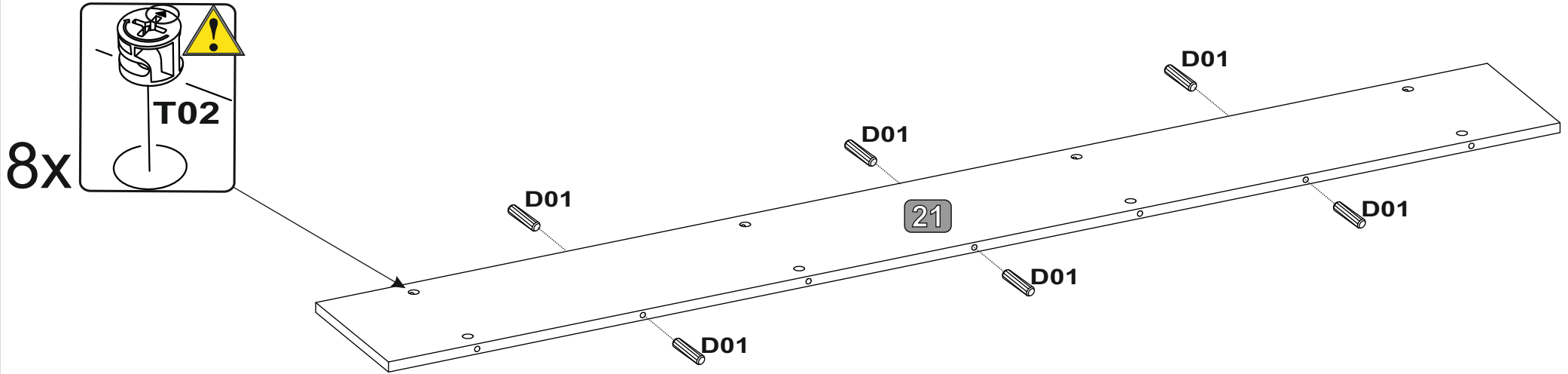
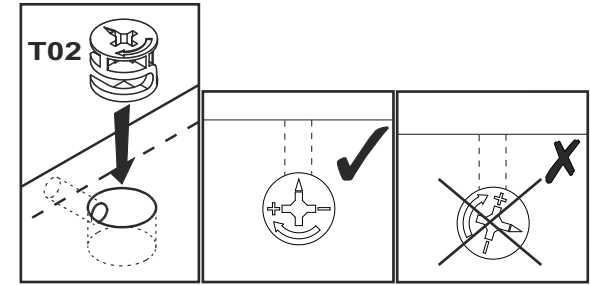
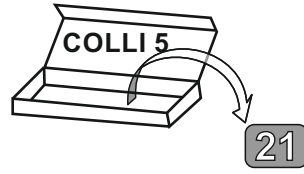
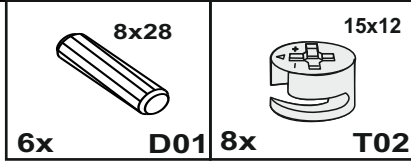
15



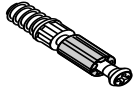



16

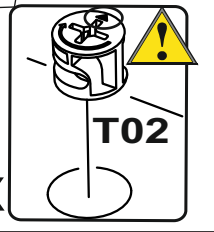
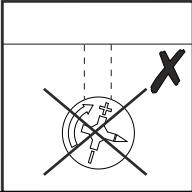
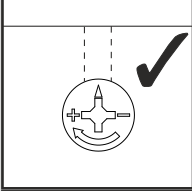
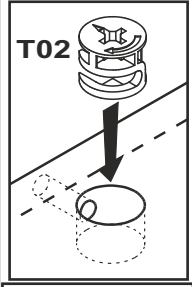
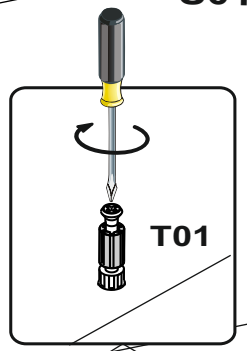
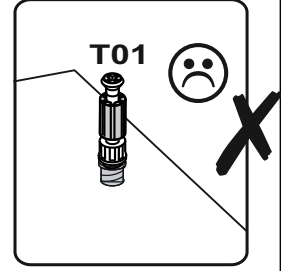
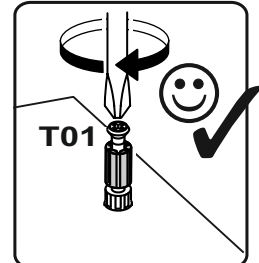
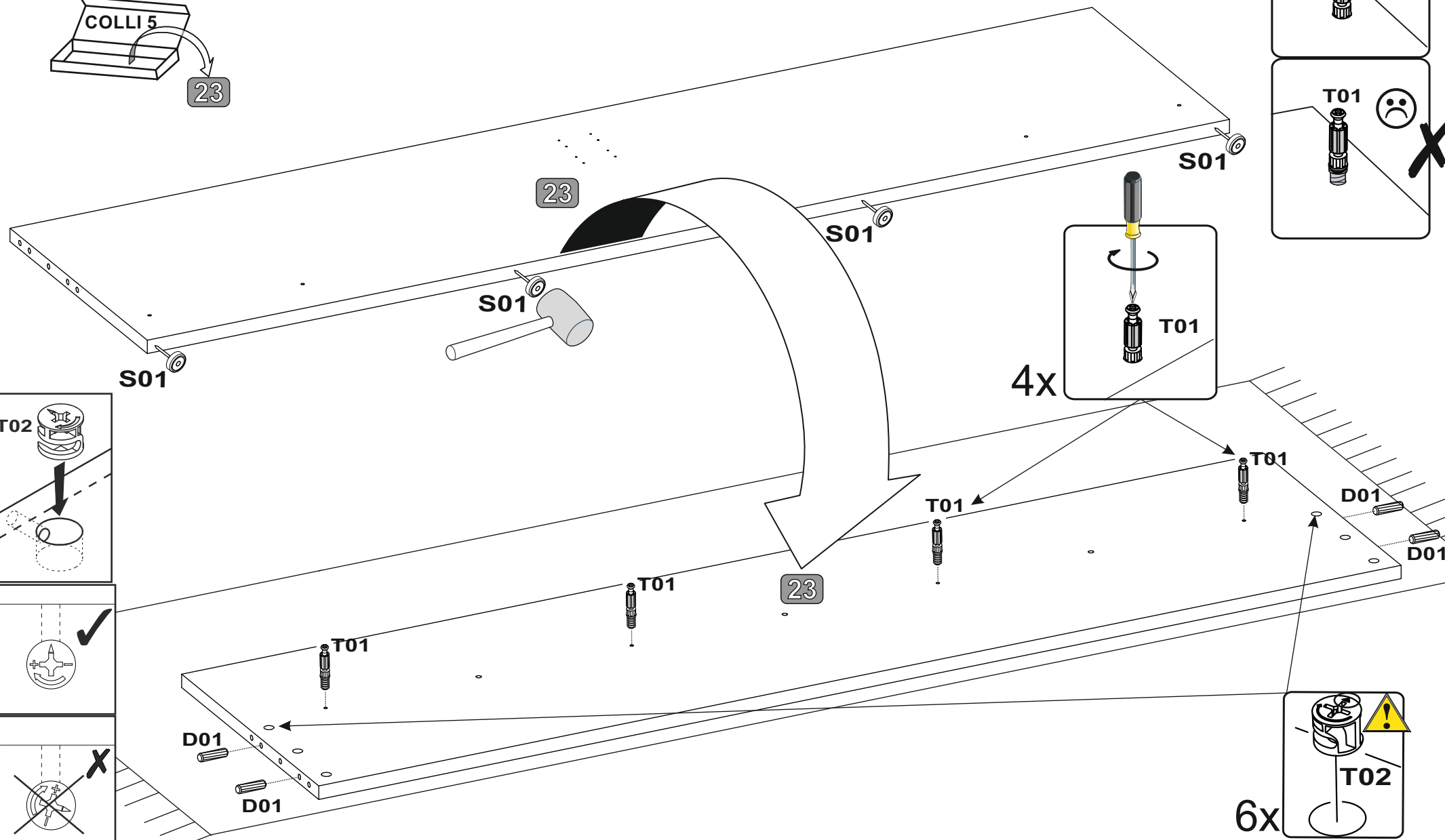
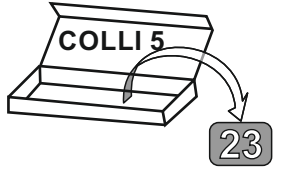


17



18

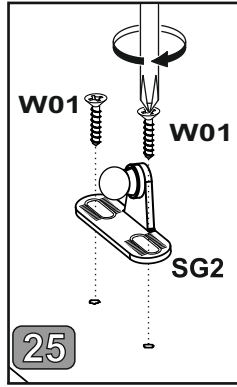
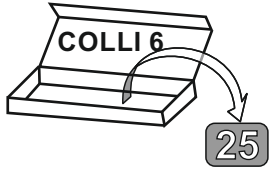
 4x T01	 8x28 4x D01	 15x12 6x T02	 4x S01
---------------------------------------------------------------------------------------------	--------------------------------------------------------------------------------------------------	---------------------------------------------------------------------------------------------------	---------------------------------------------------------------------------------------------



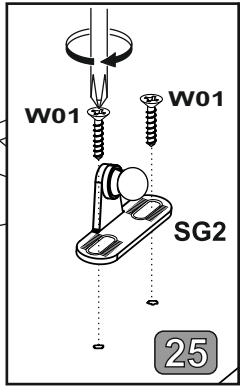
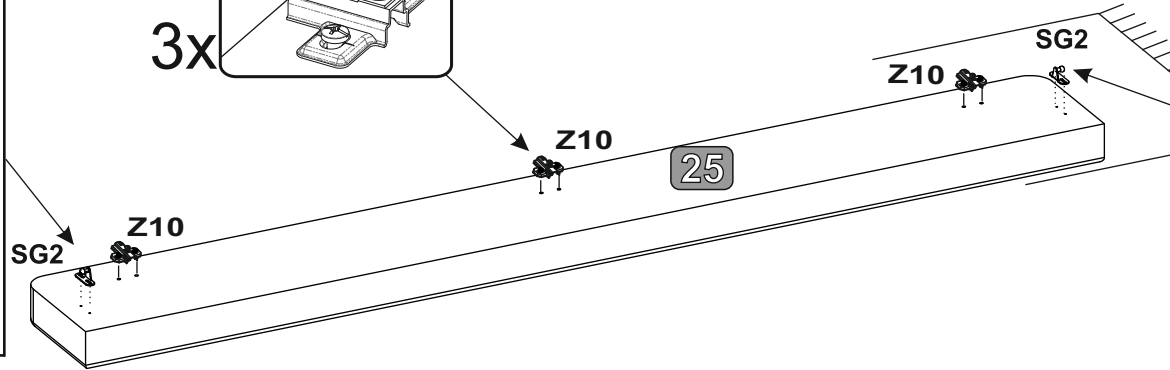
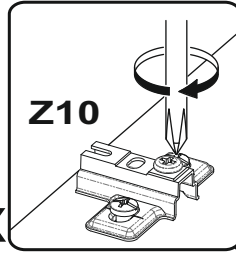
6x

20

- 3x Z10
- 2x SG2
- 4x W01
- 3,5x15

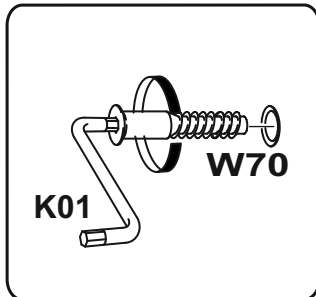
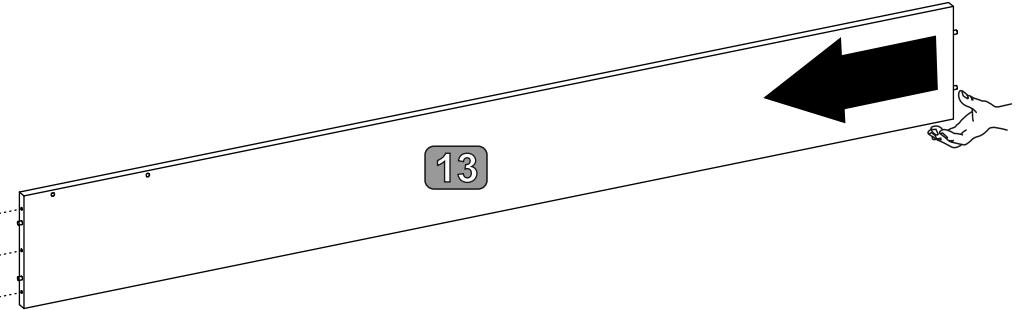
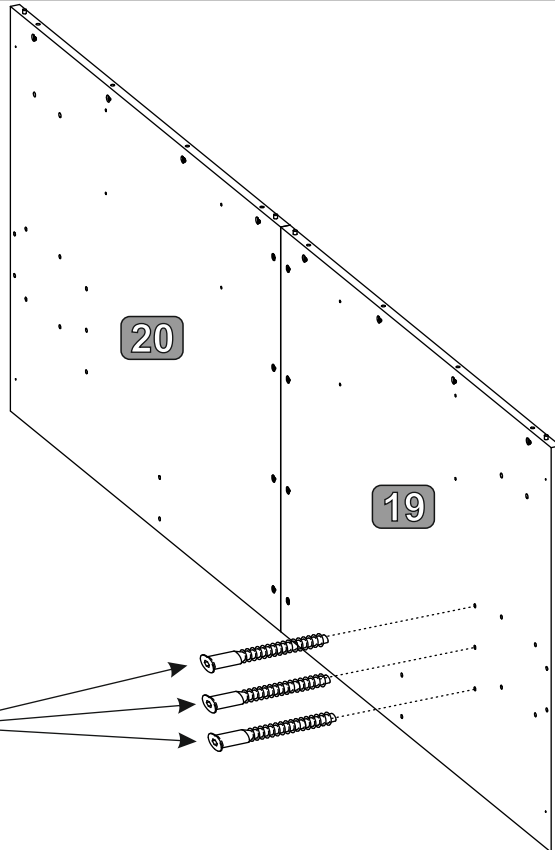
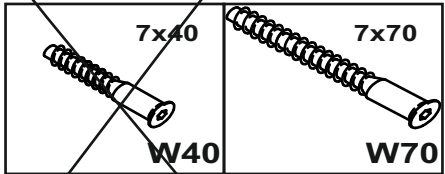


3x

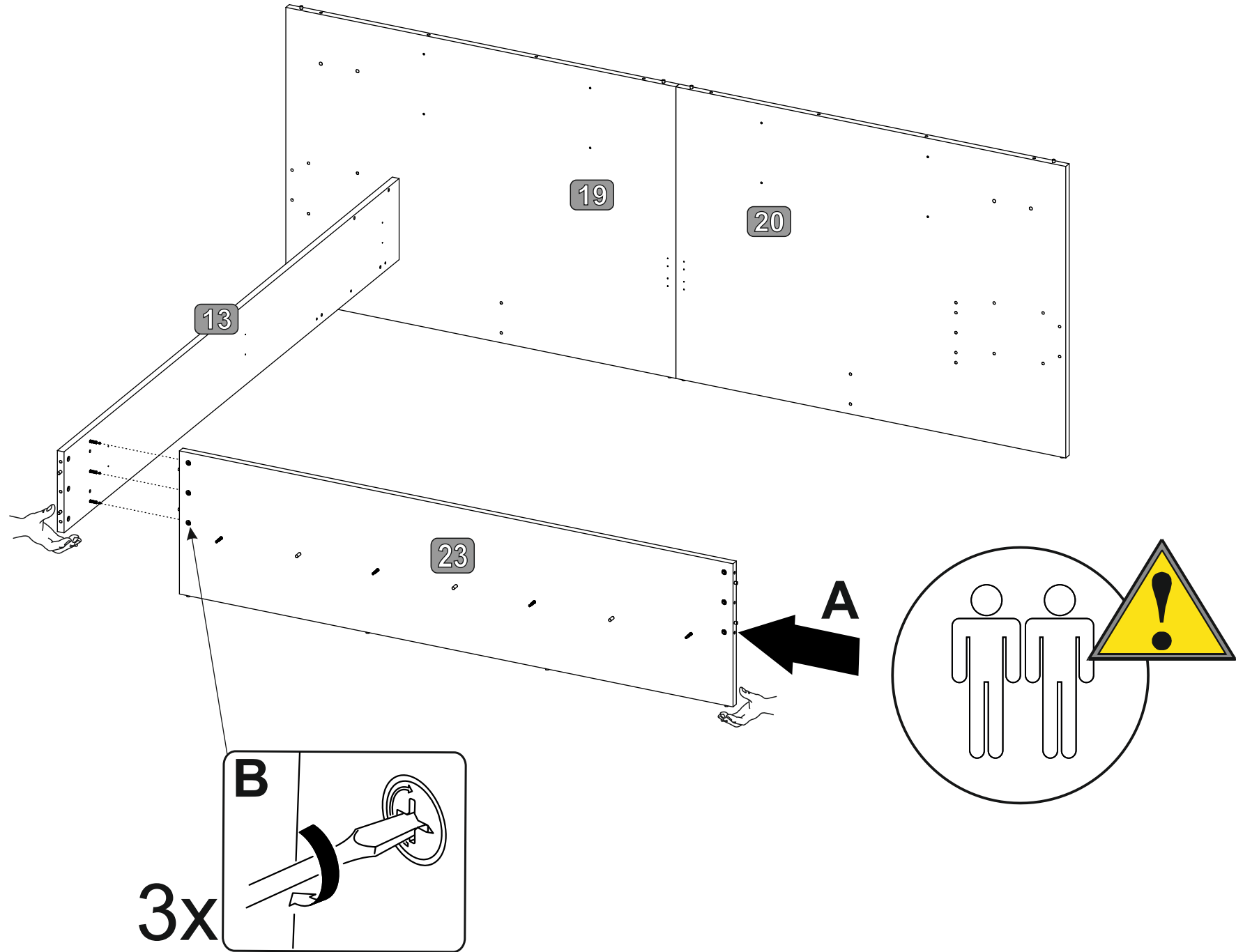


21

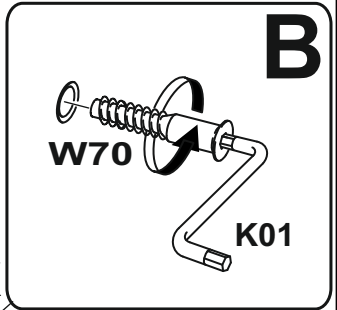
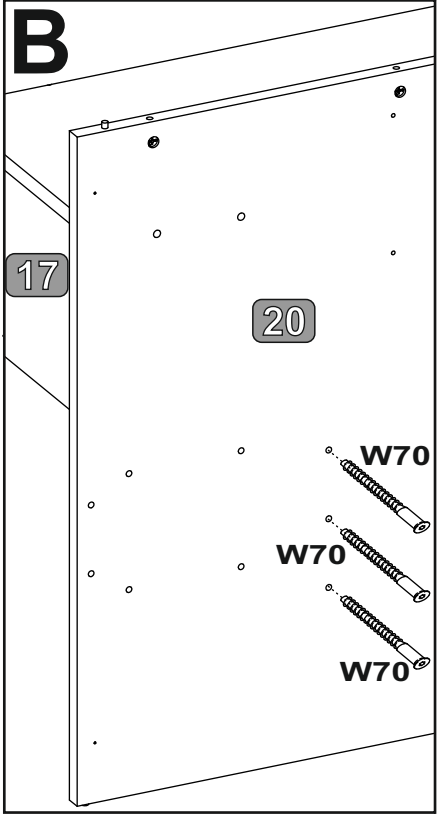
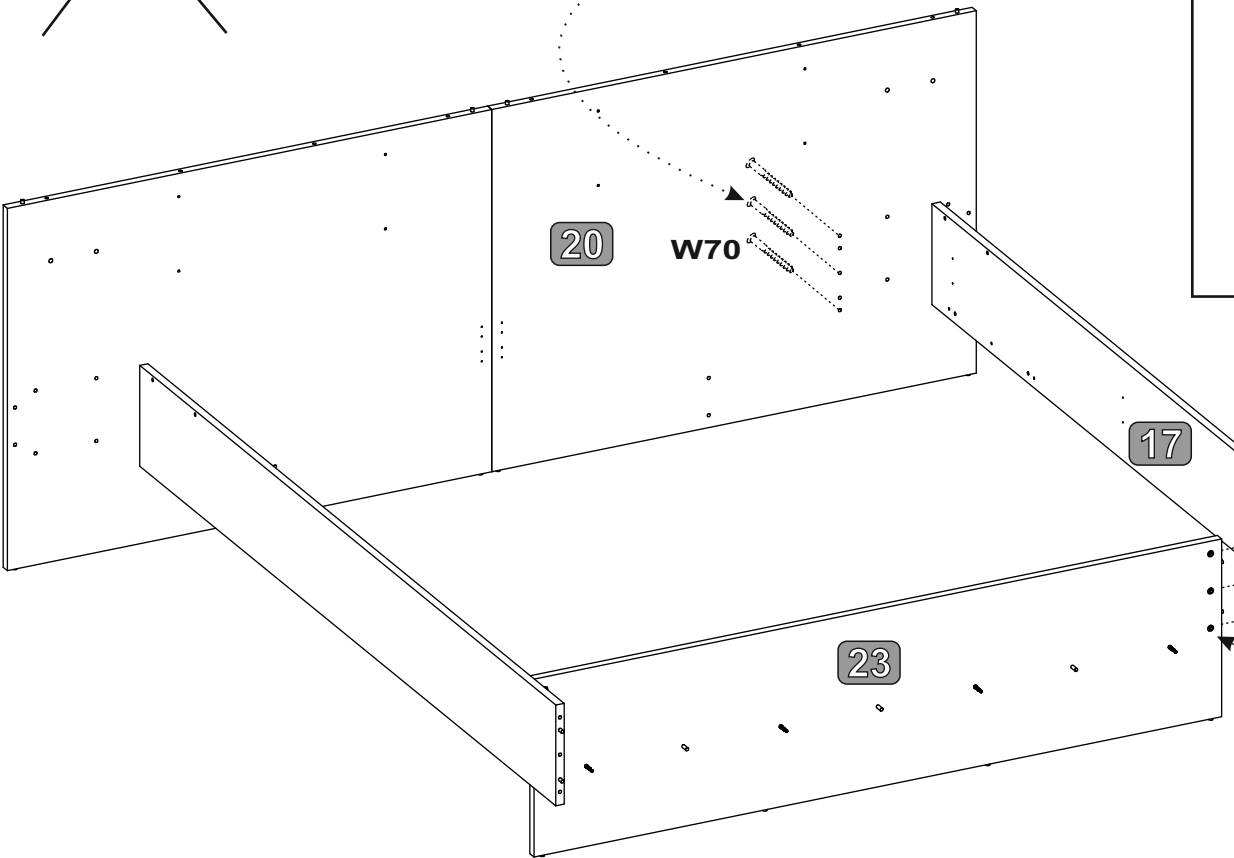
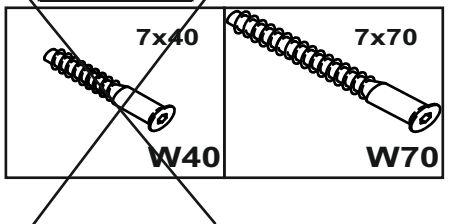
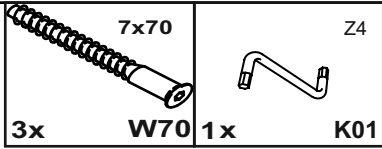
- 3x W70
- 1x K01
- 7x70
- Z4



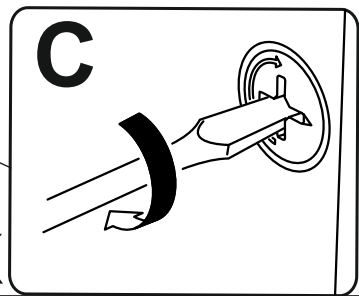
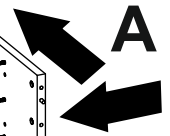
22



23

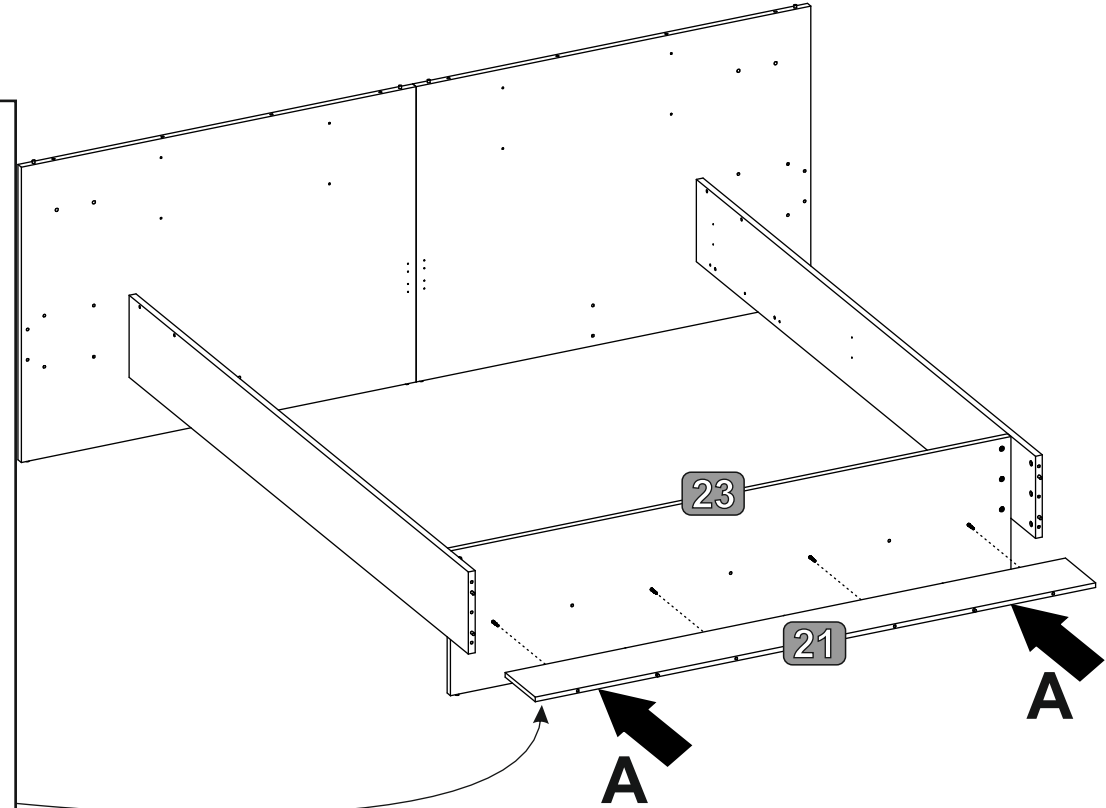
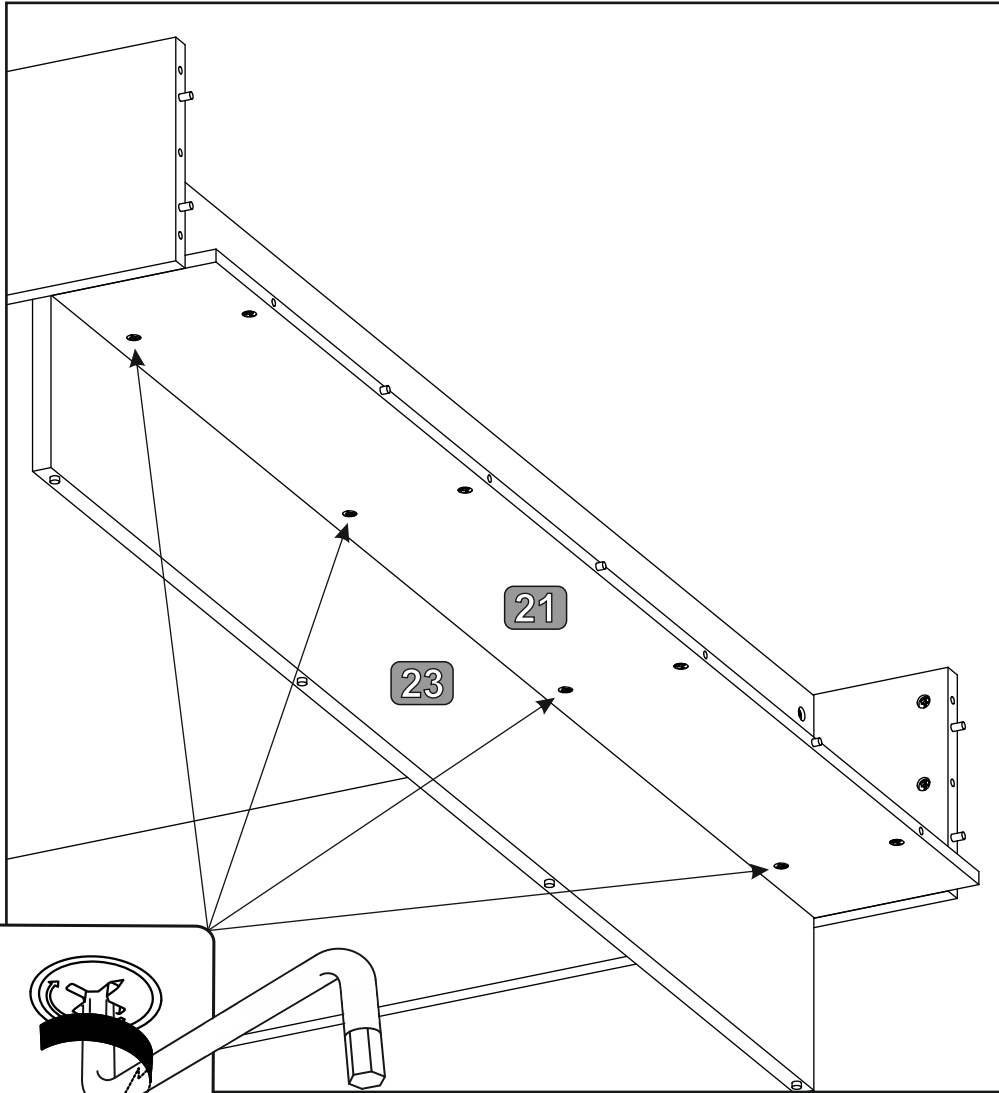
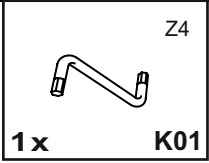


3x

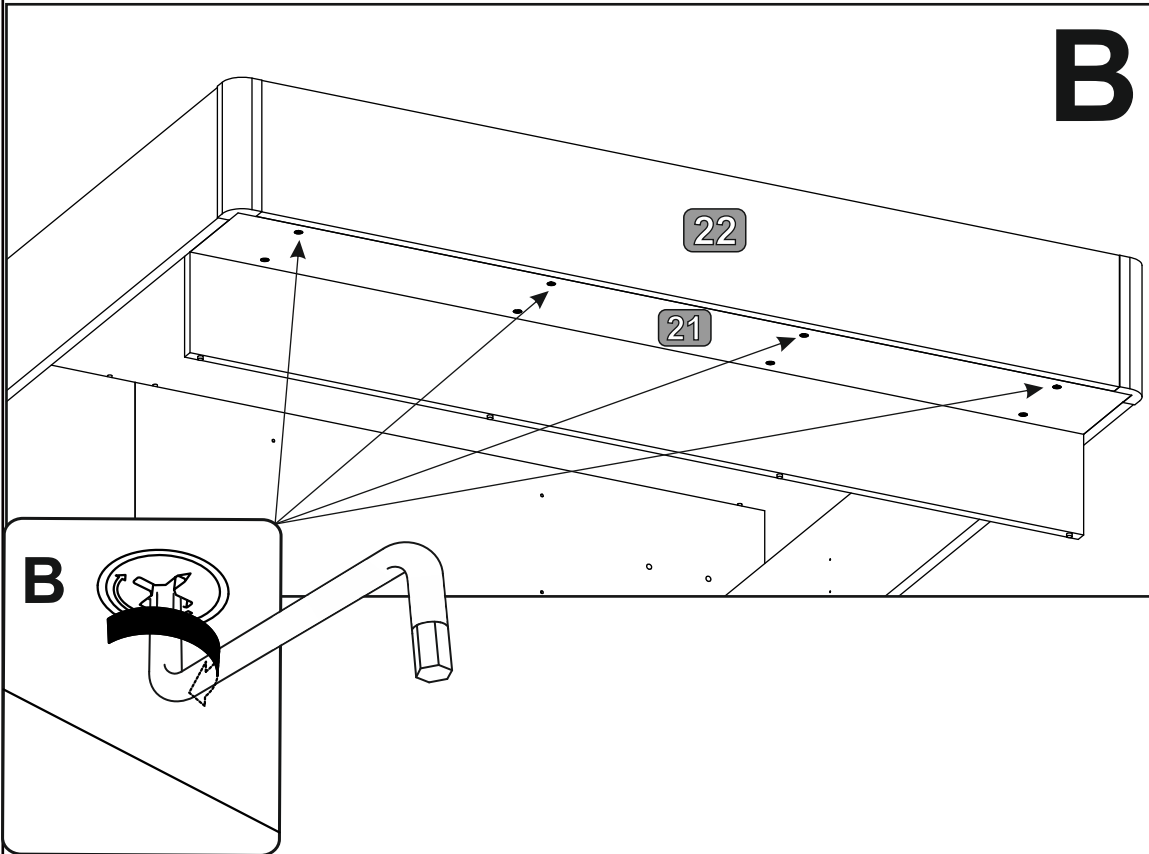
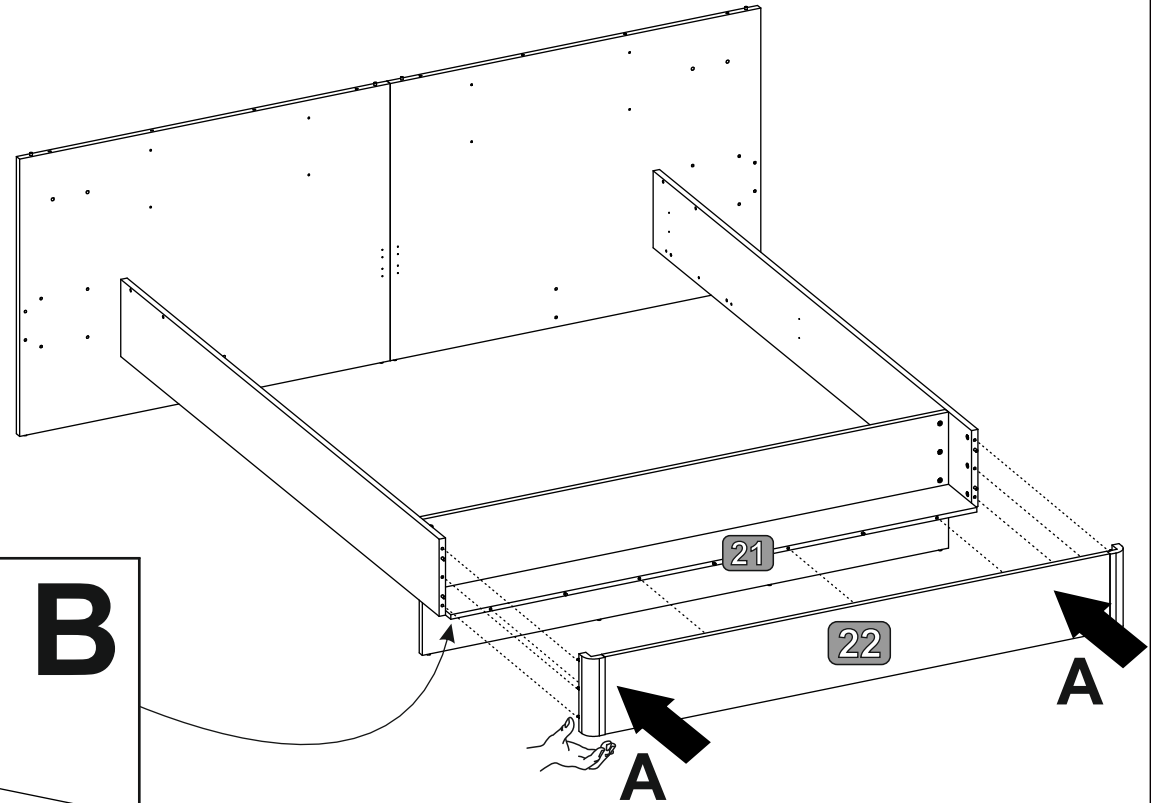
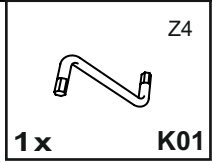


3x

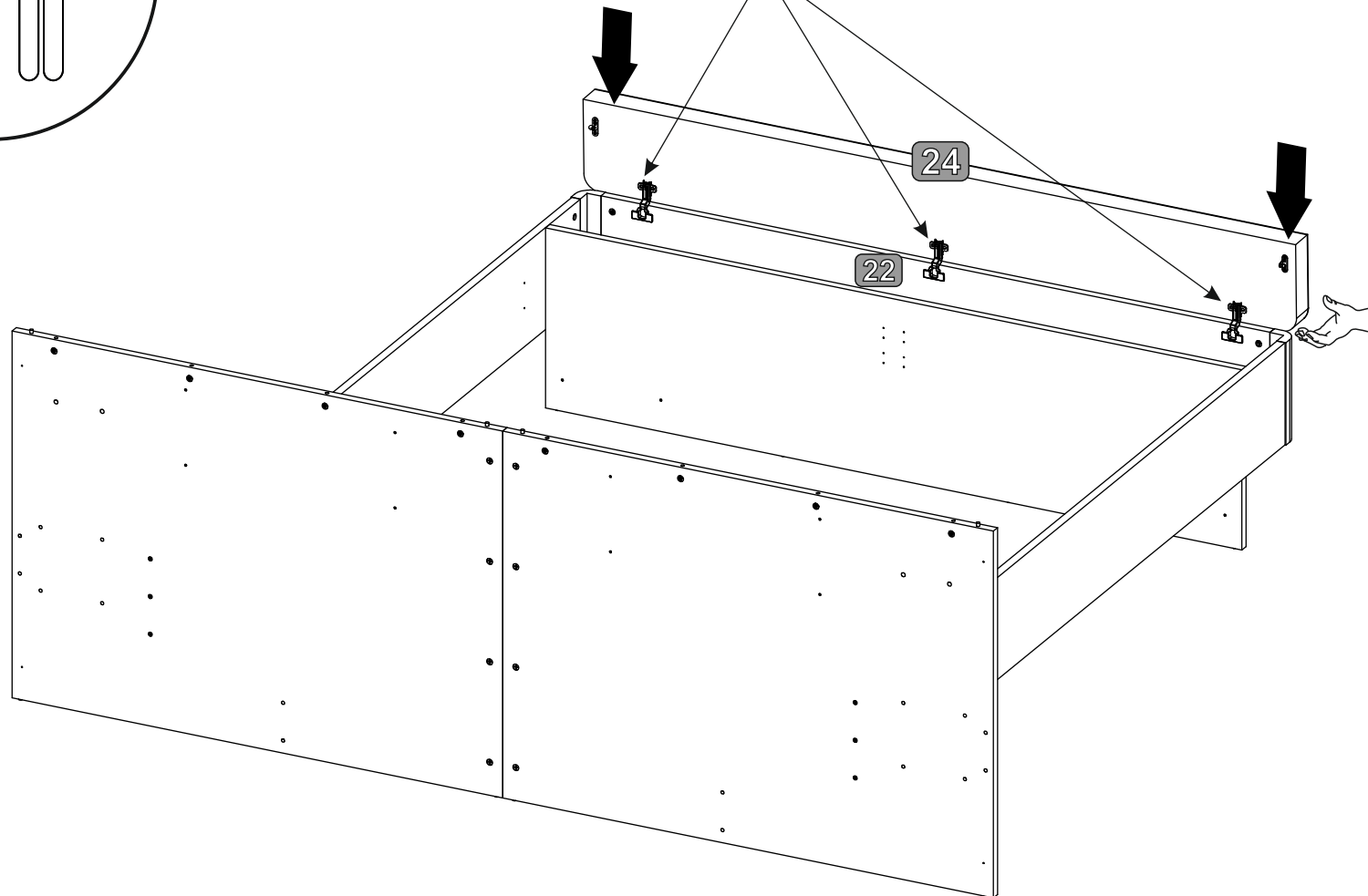
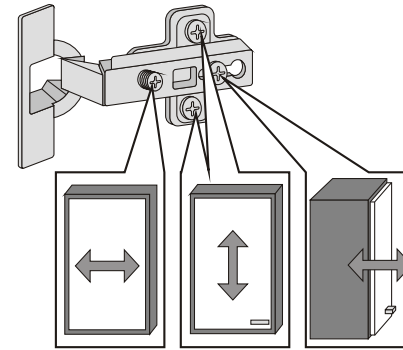
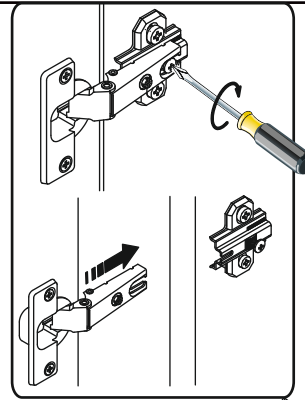
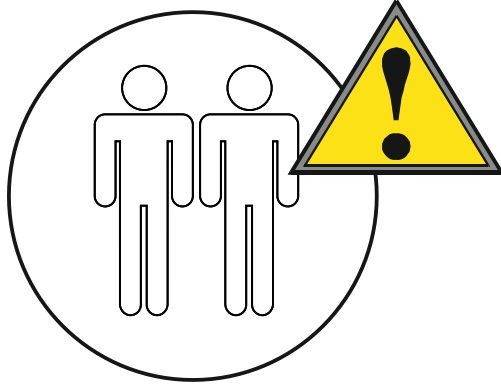
24



25

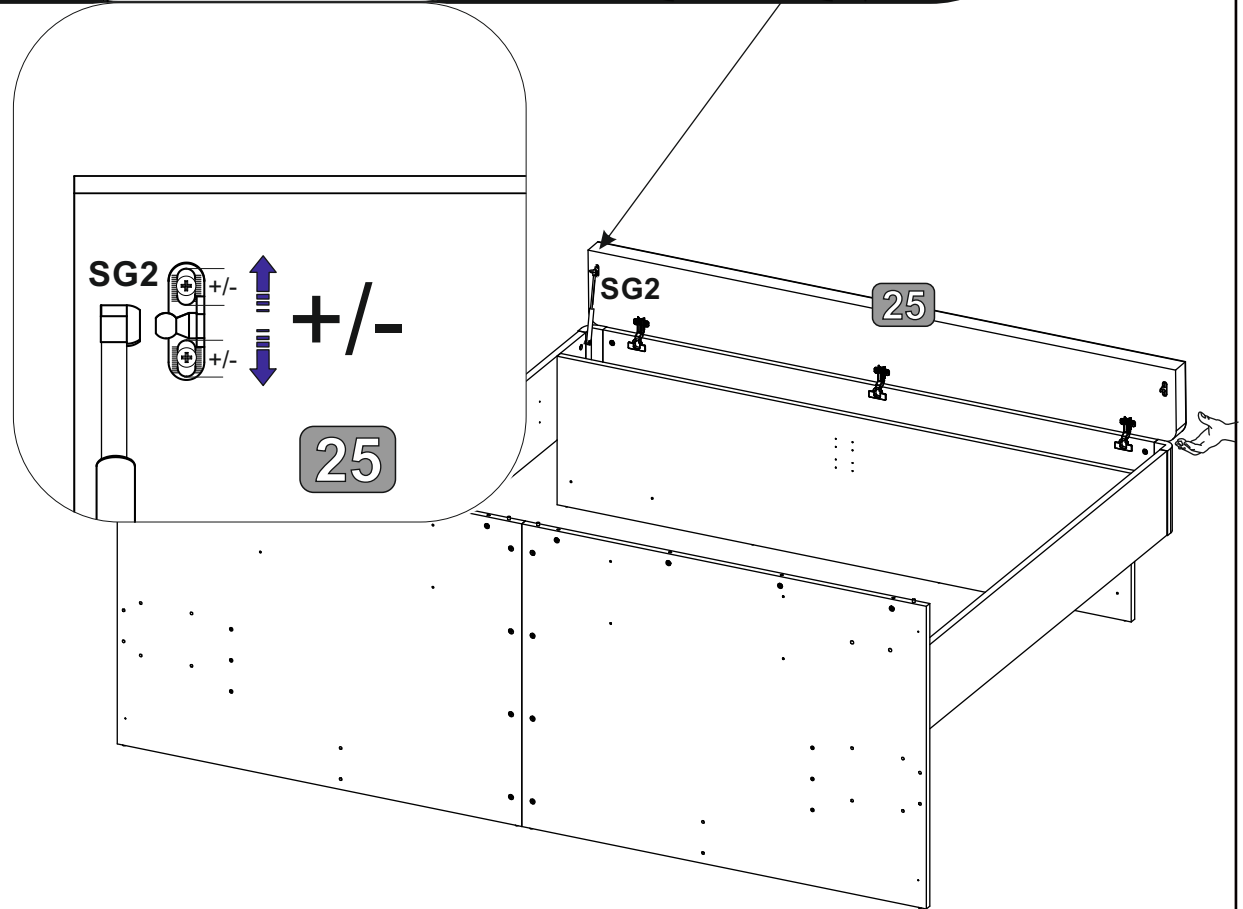
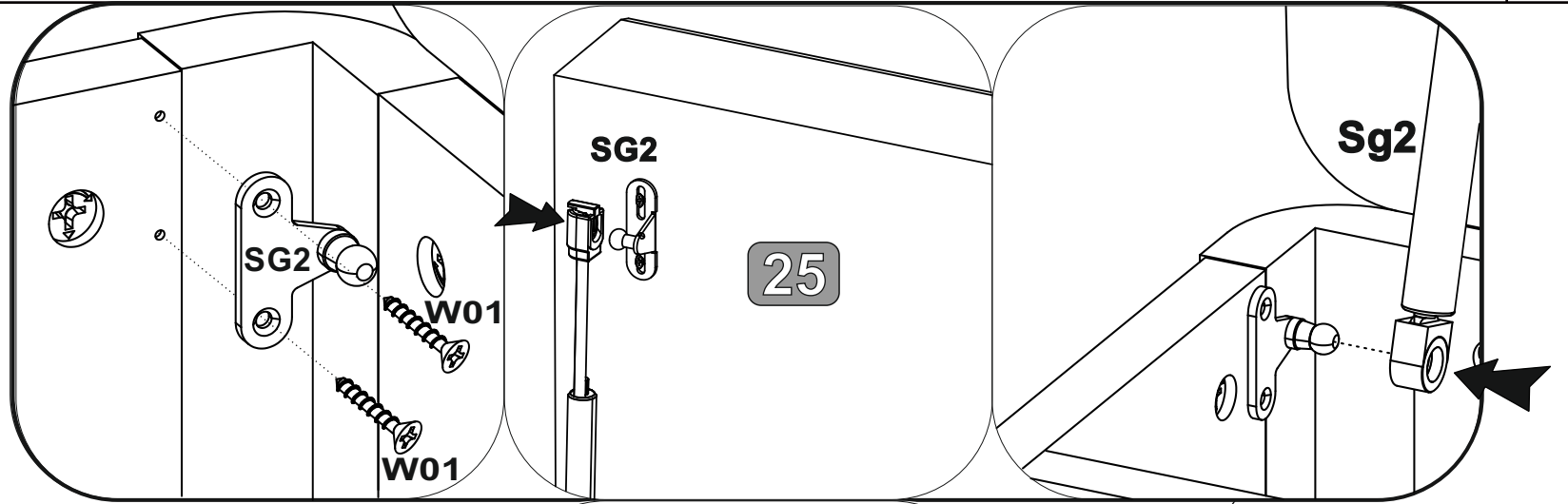


26



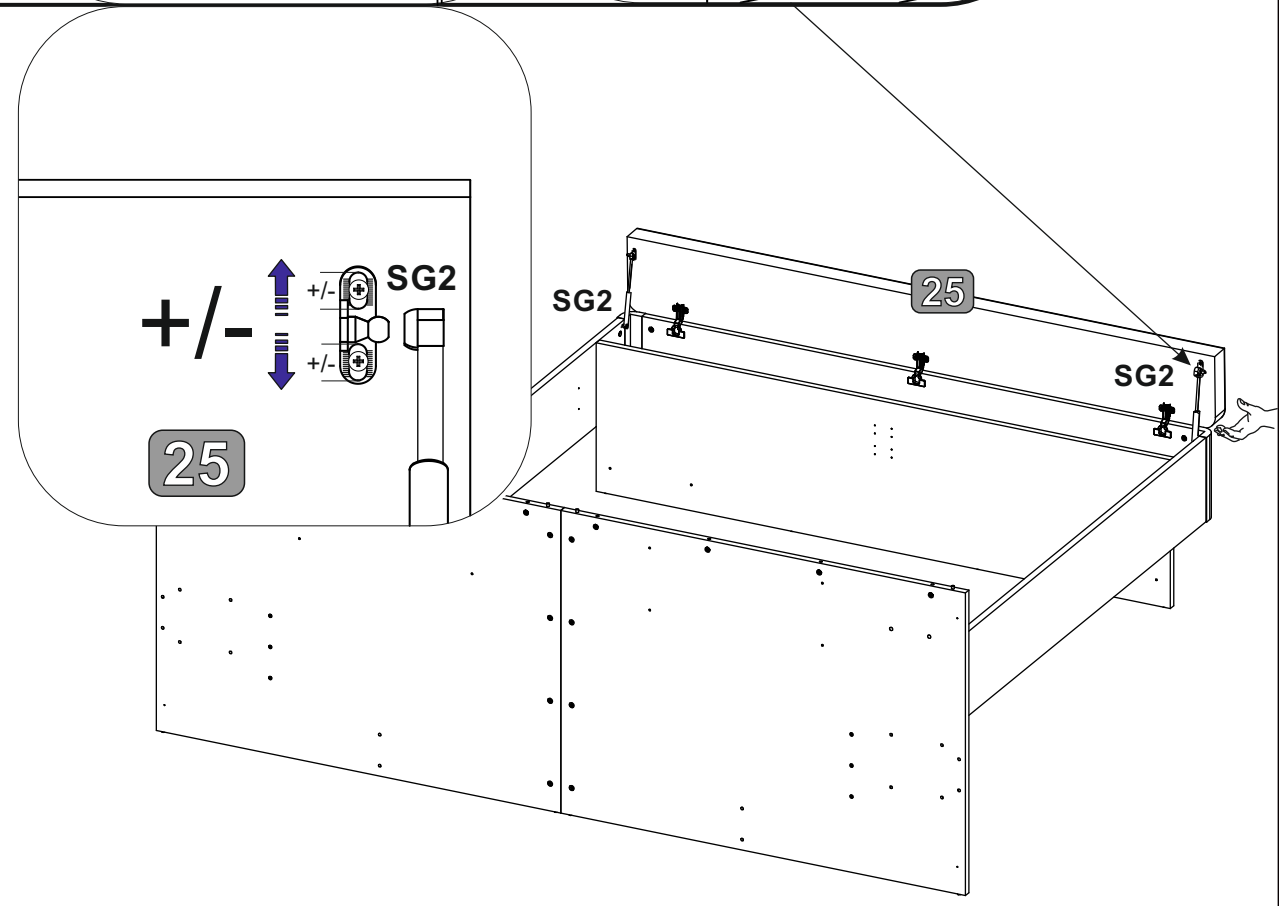
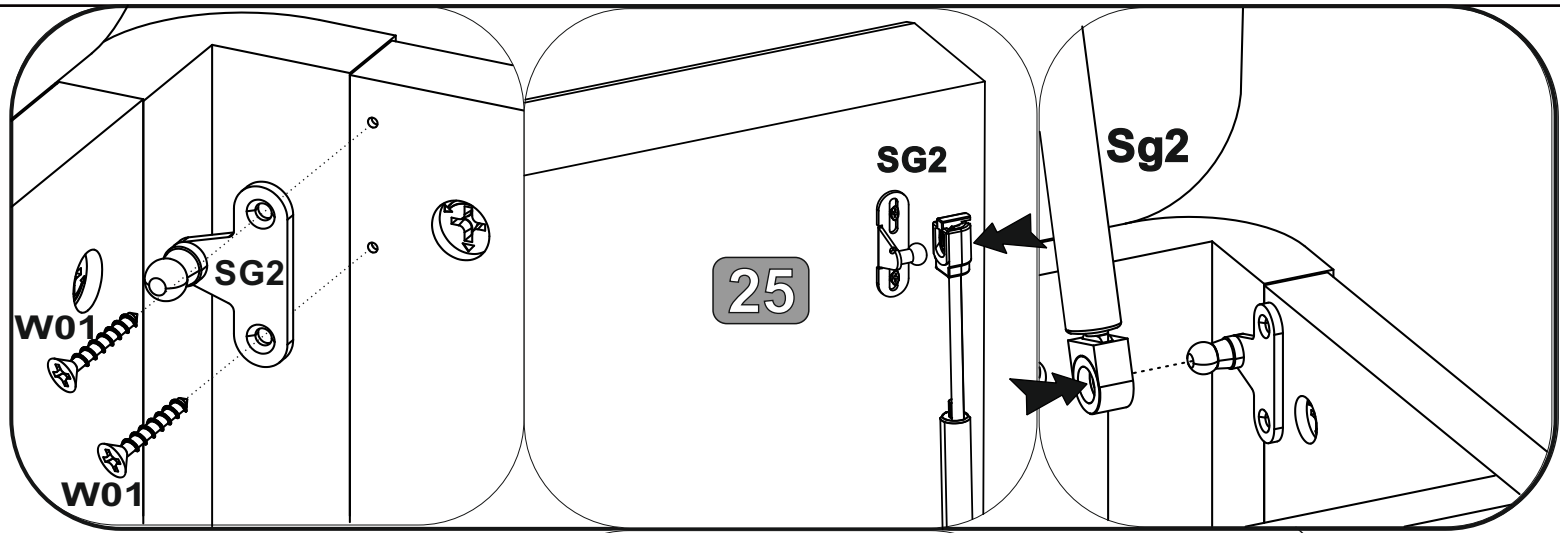
27

- 1x SG2
- 1x SG2
3,5x15
- 2x W01

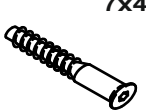
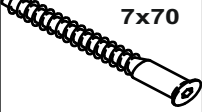
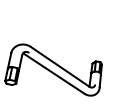


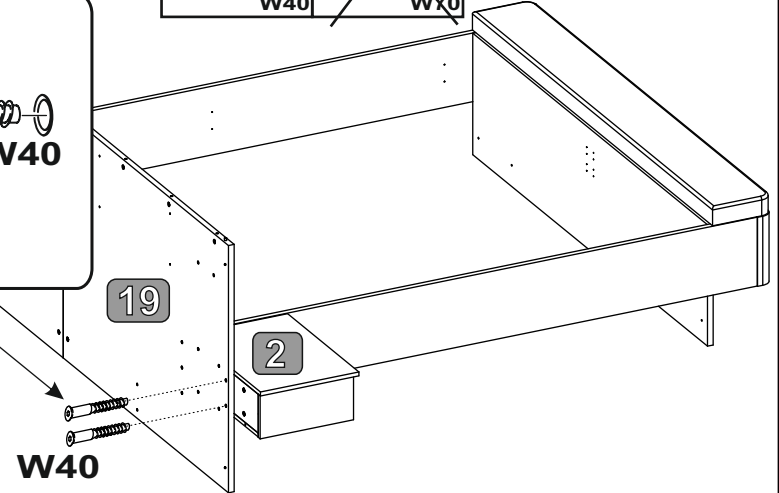
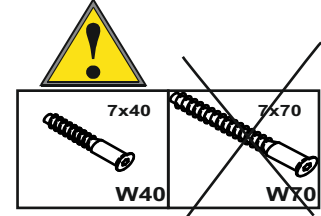
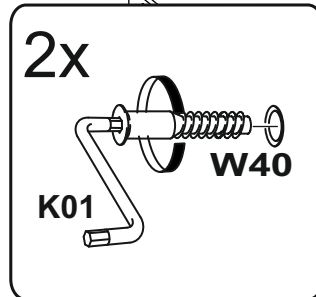
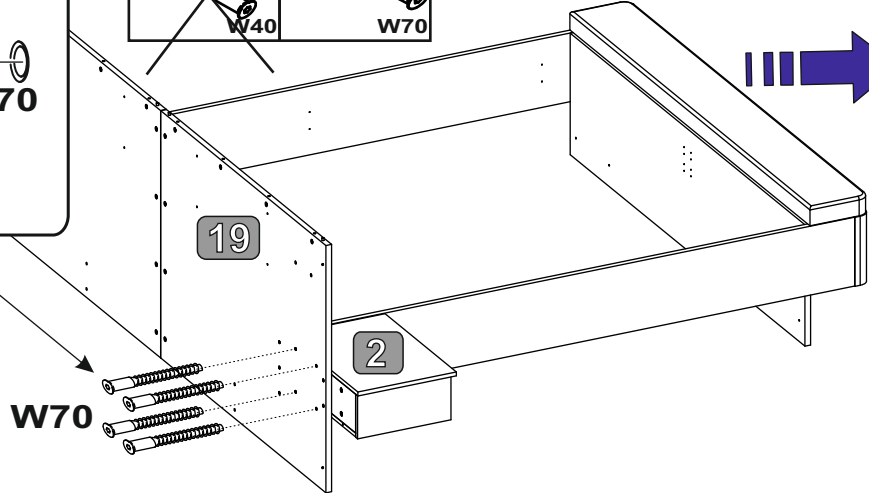
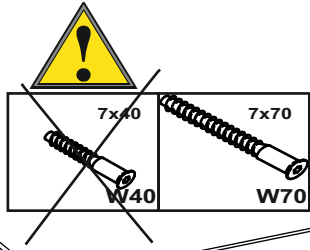
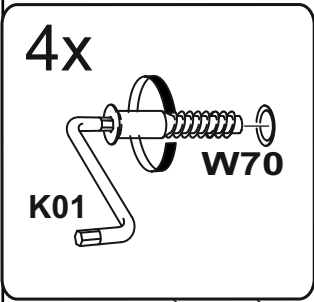
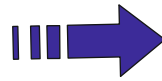
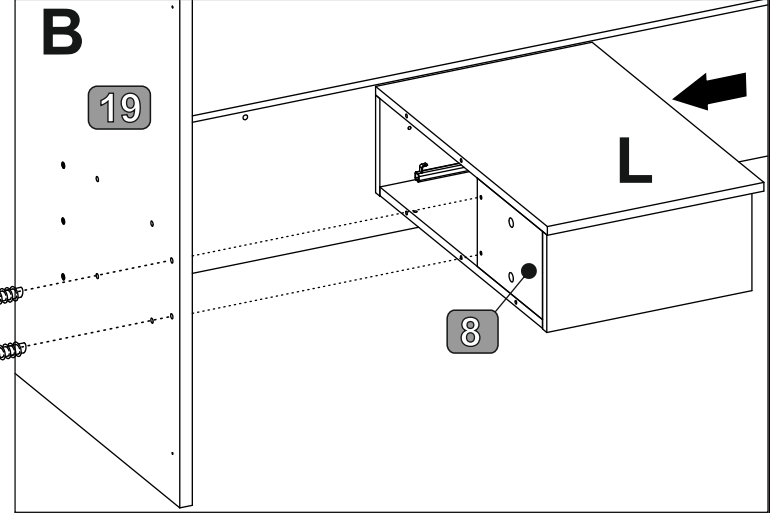
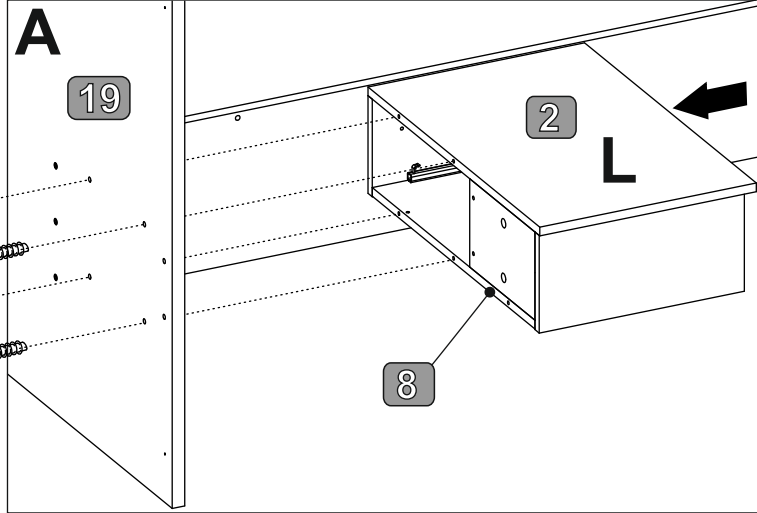
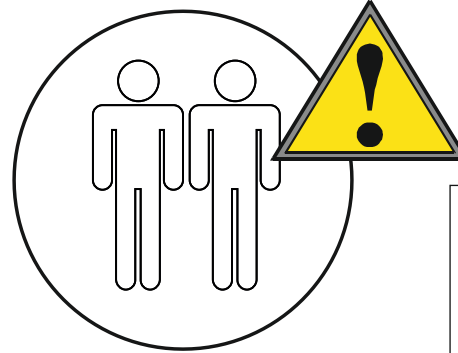
28

- 1x SG2
- 1x SG2 3,5x15
- 2x W01



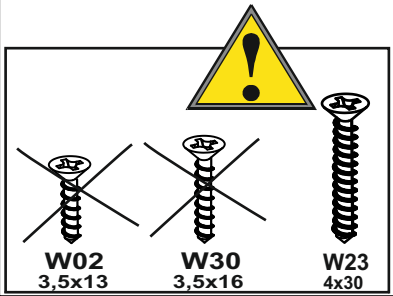
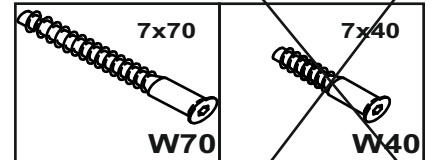
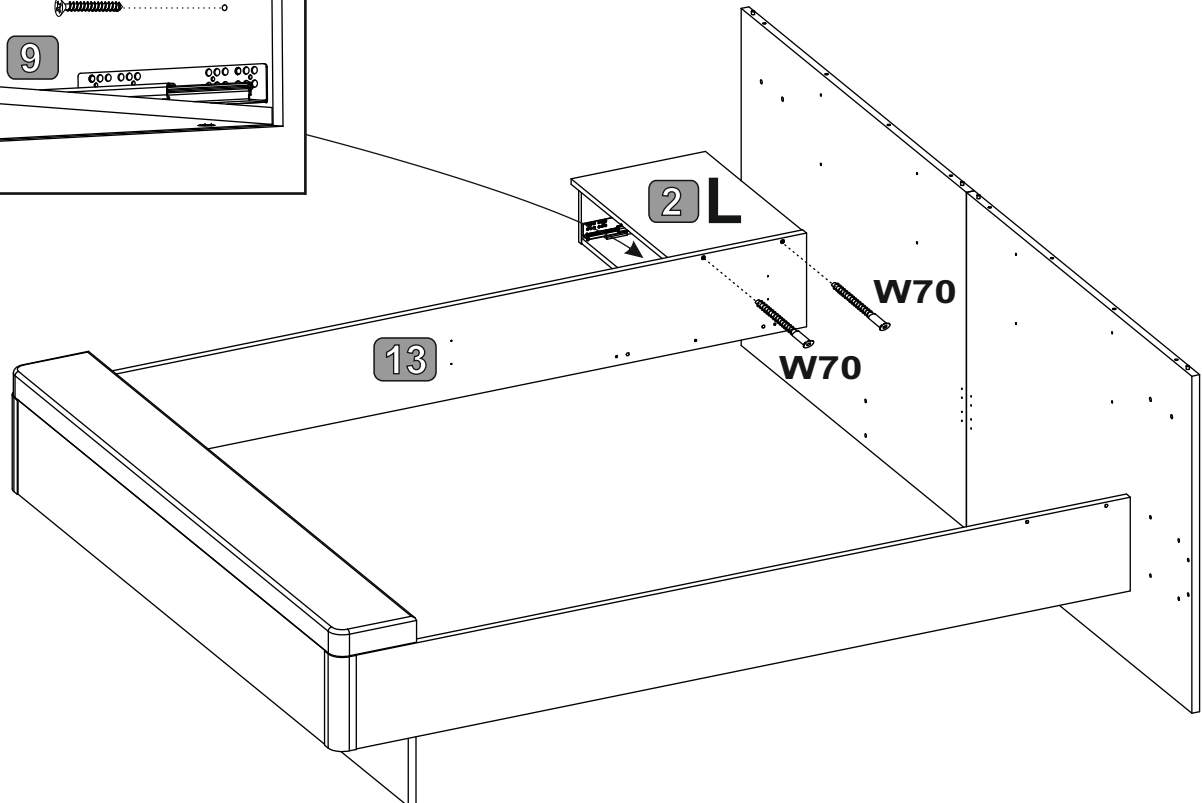
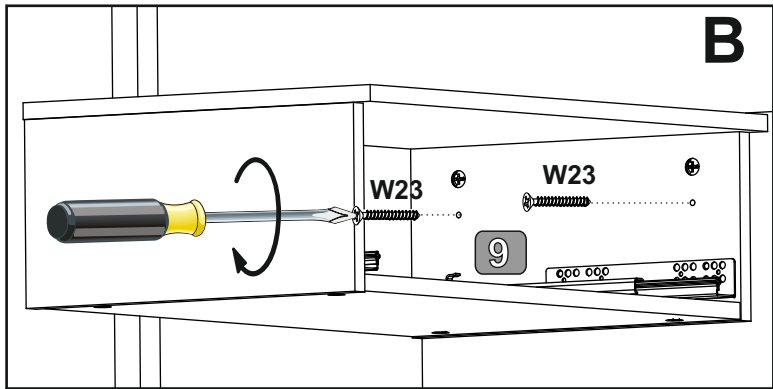
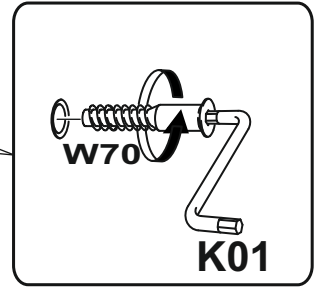
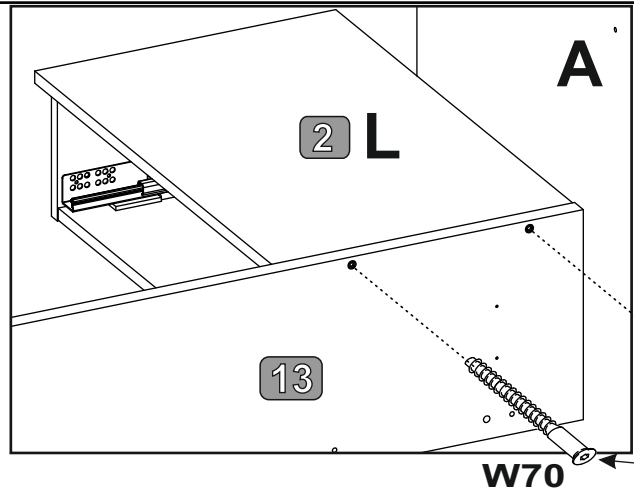
29

 7x40 2x W40	 7x70 4x W70	 Z4 1x K01
--------------------------------------------------------------------------------------------------------	--------------------------------------------------------------------------------------------------------	------------------------------------------------------------------------------------------------------



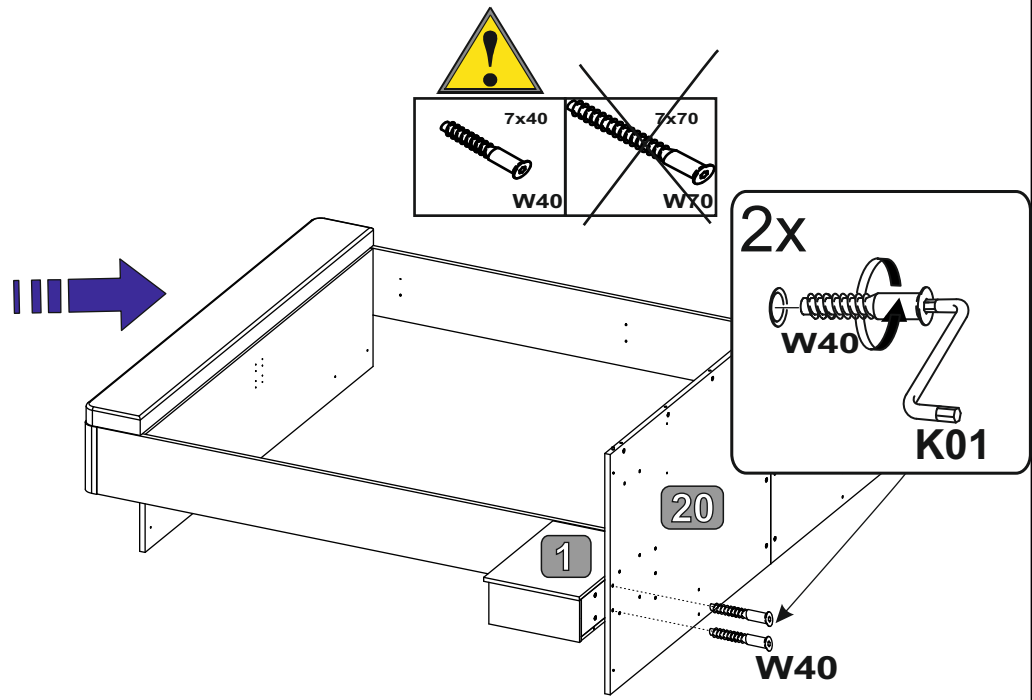
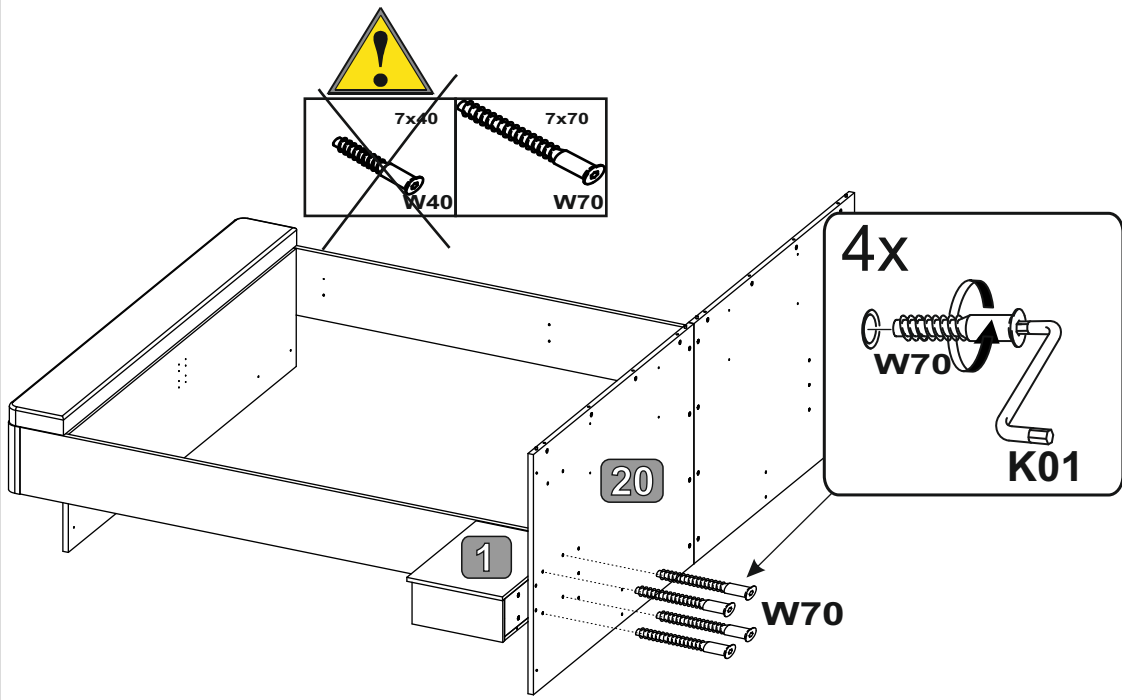
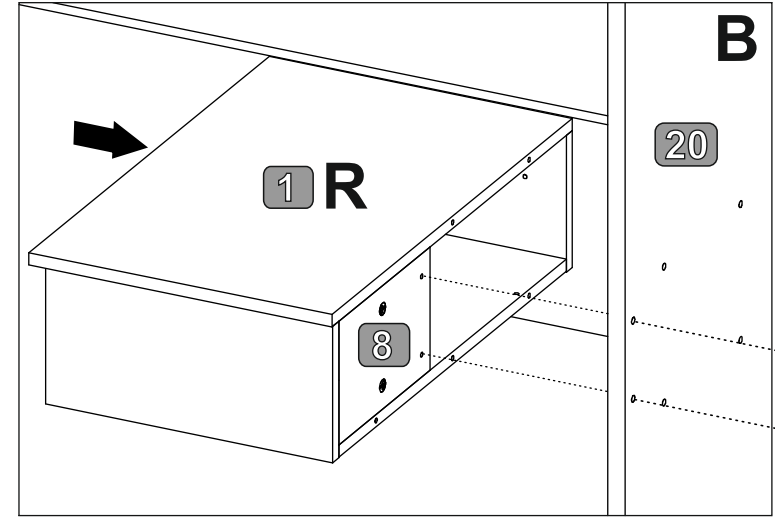
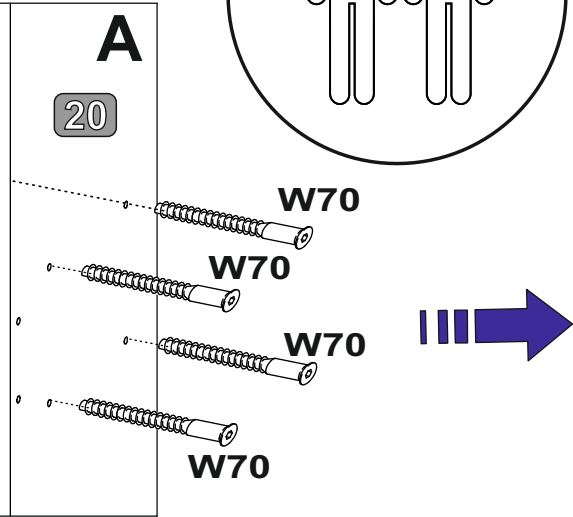
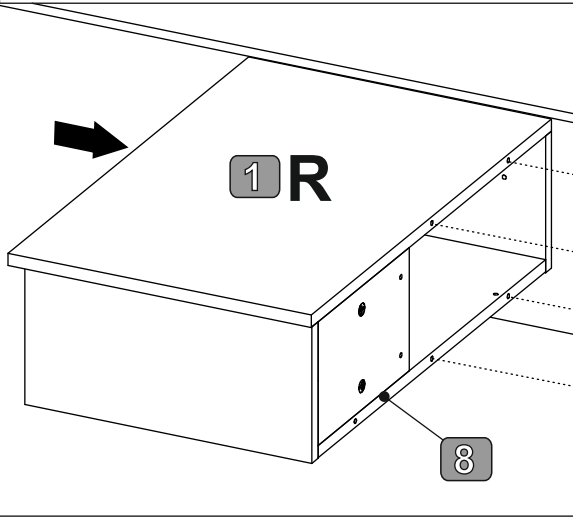
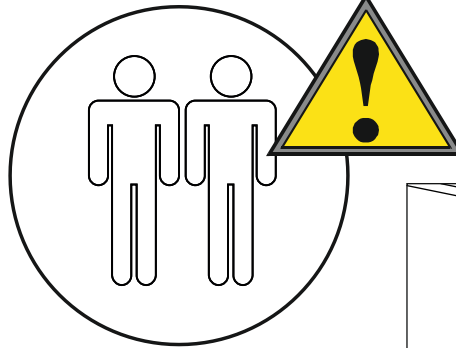
30

7x70	Z4
2x W70	1x K01
4x30	
2x W23	



31

7x40 W40	7x70 W70	Z4 K01
2x	4x	1x

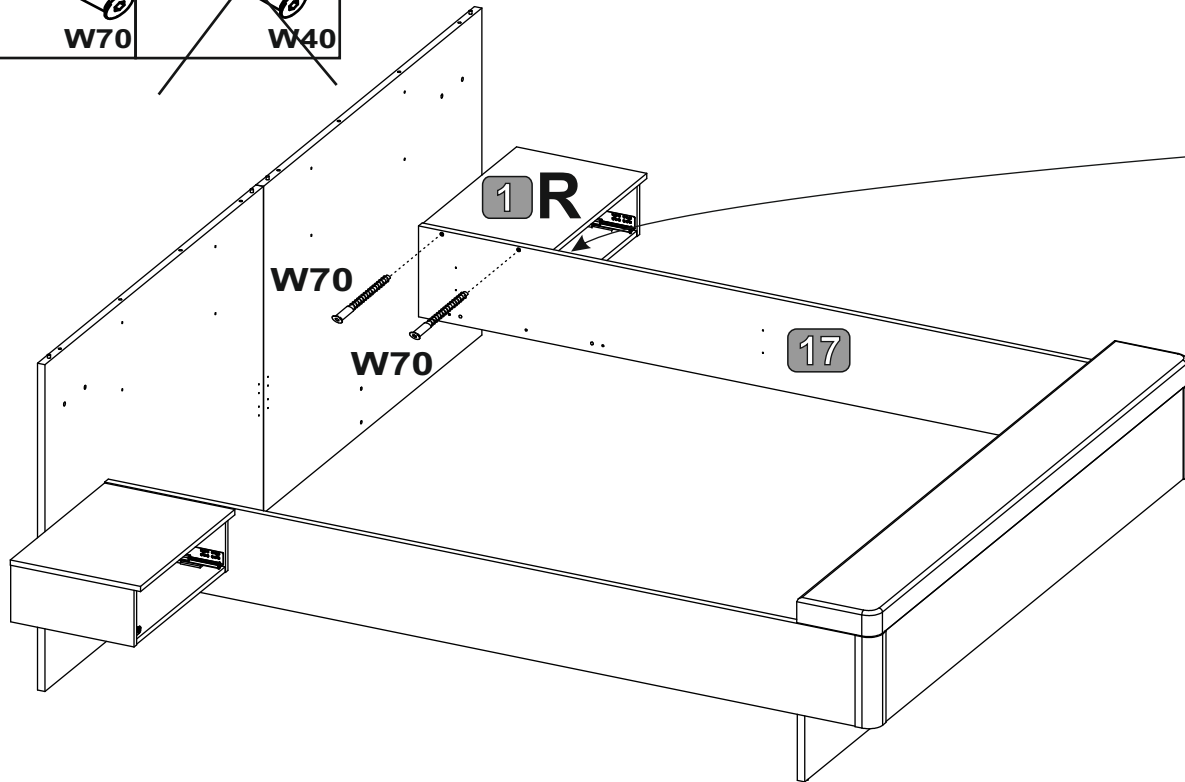
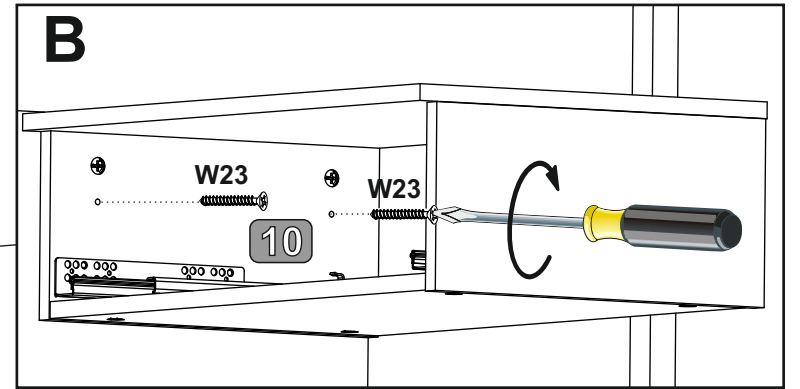
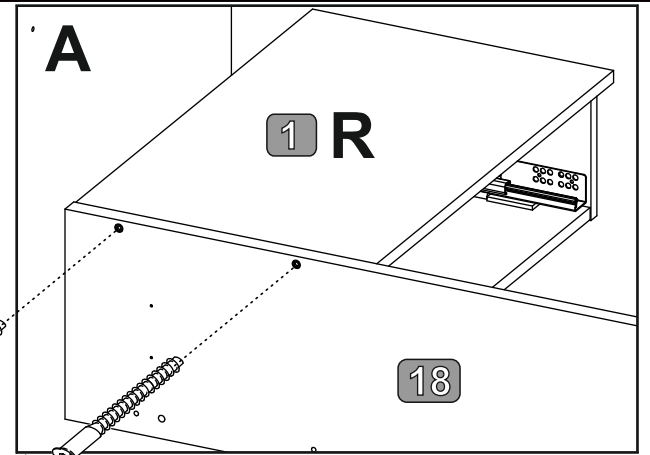
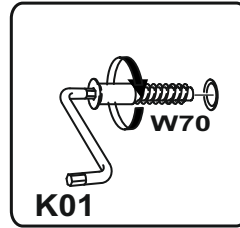


32

7x70 2x W70	Z4 1x K01
4x30 2x W23	

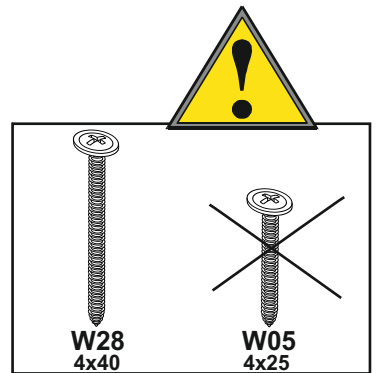
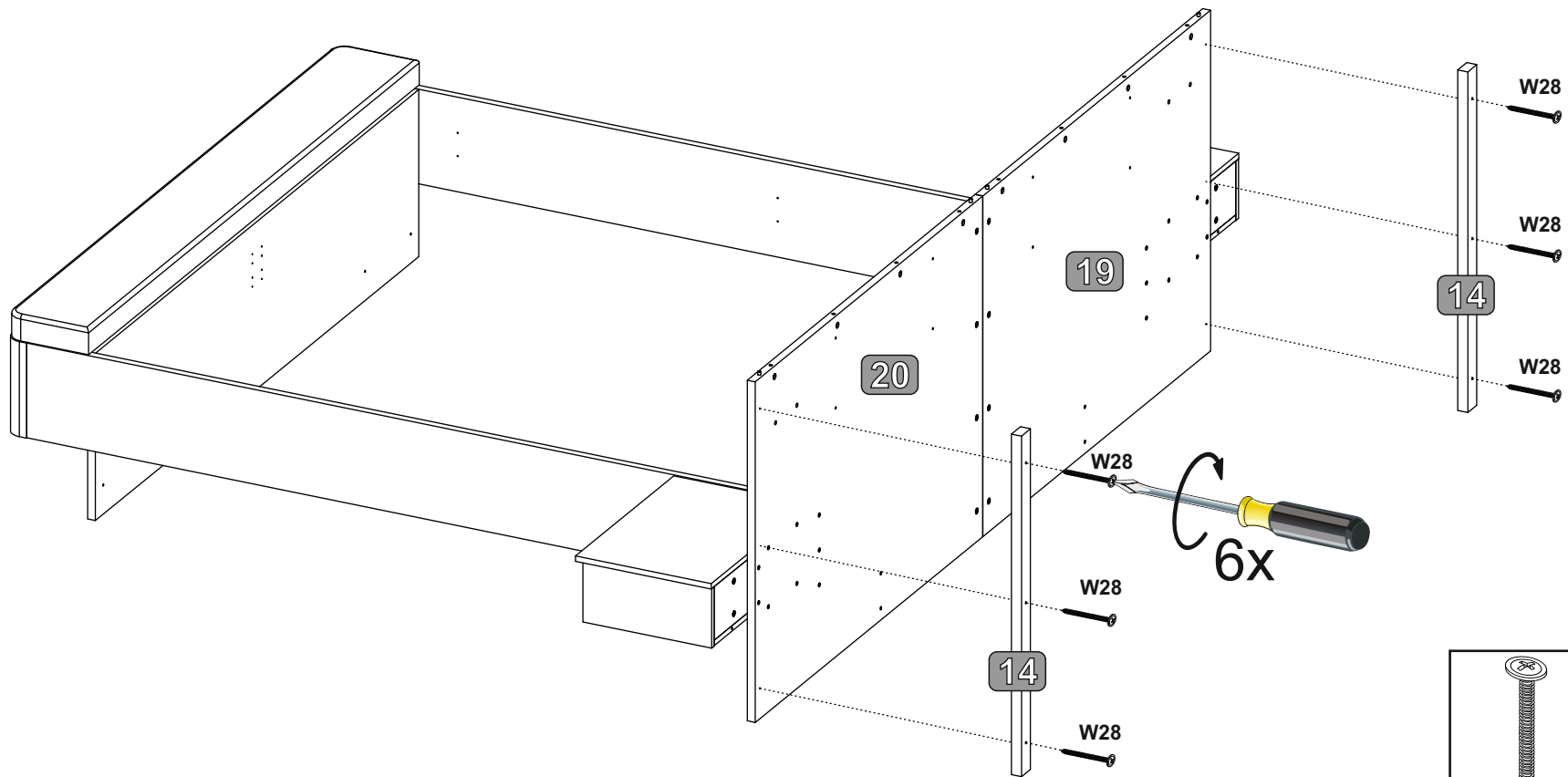
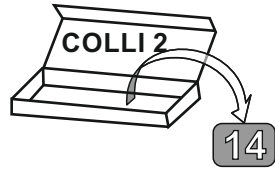
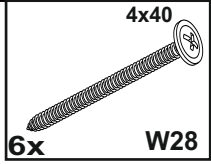


7x70 W70	7x40 W40
-------------------------	-------------------------

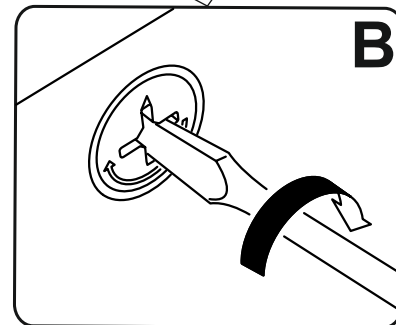
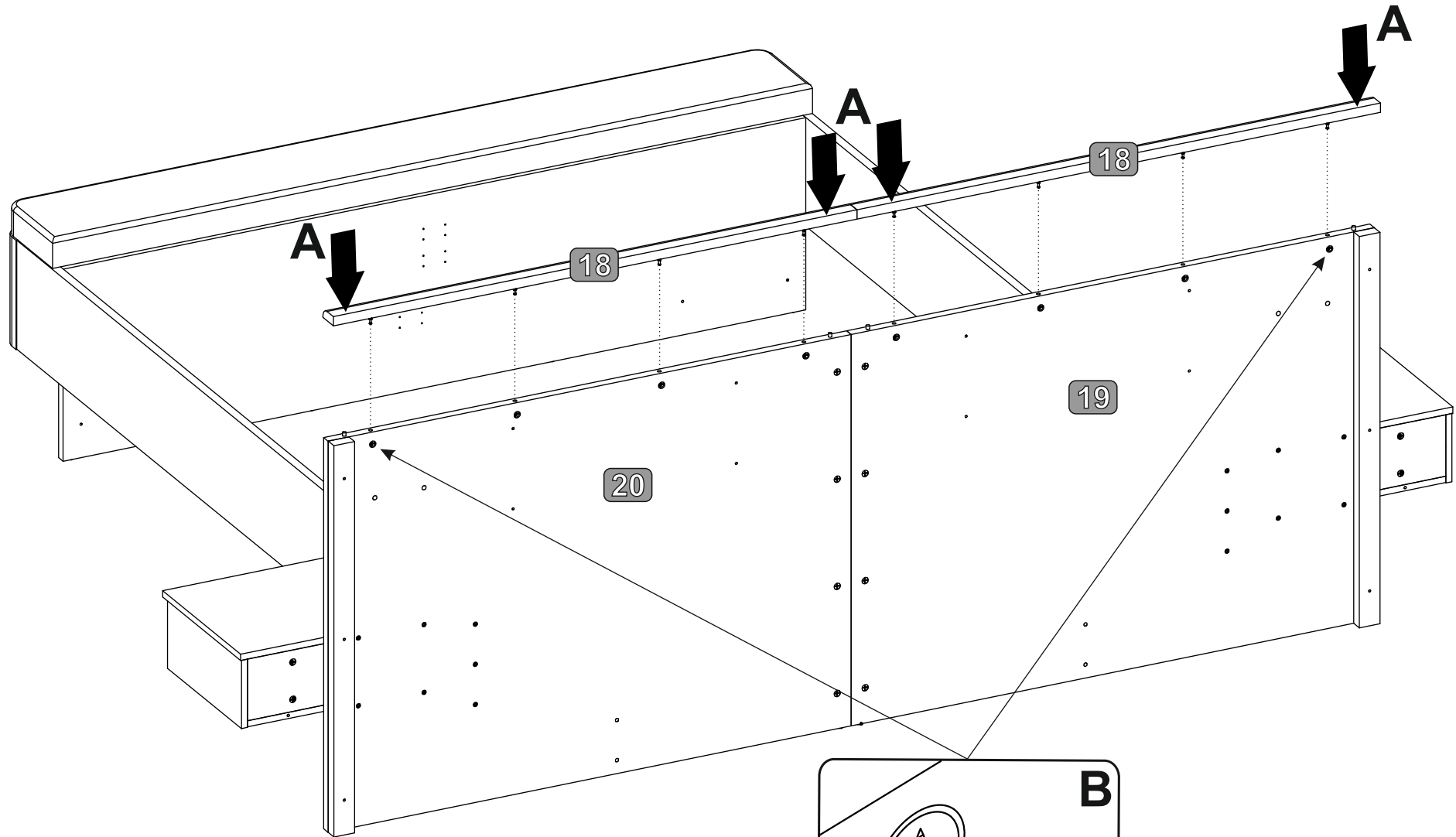


W02 3,5x13	W30 3,5x16	W23 4x30
---------------------------	---------------------------	-------------

33

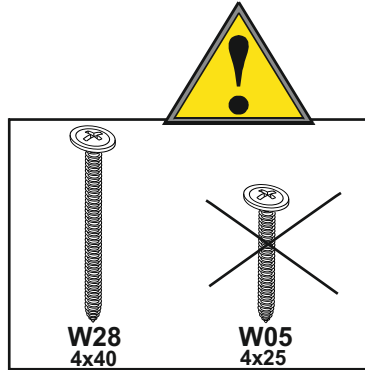
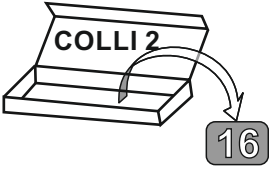
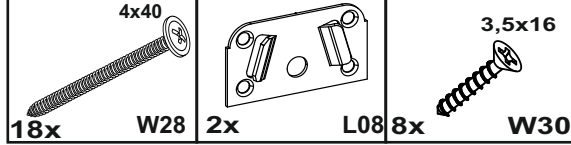


34

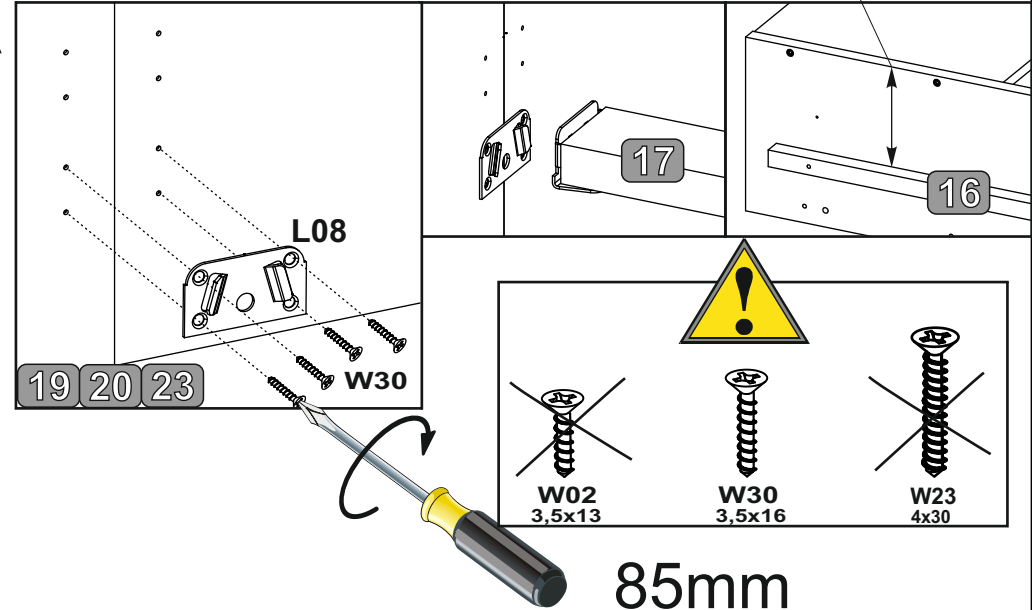


8x

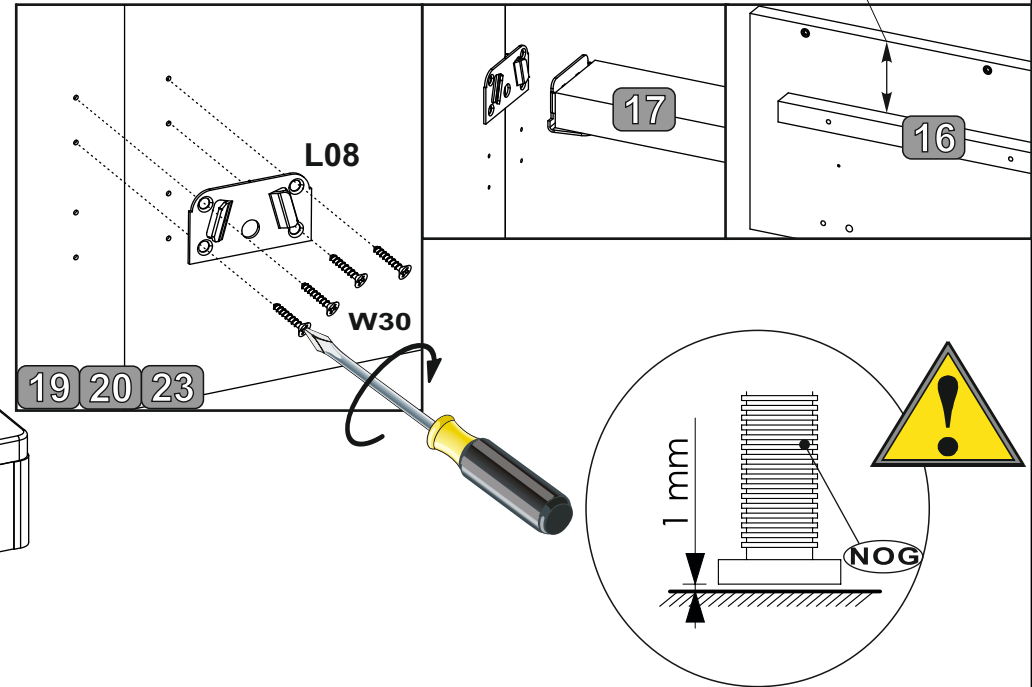
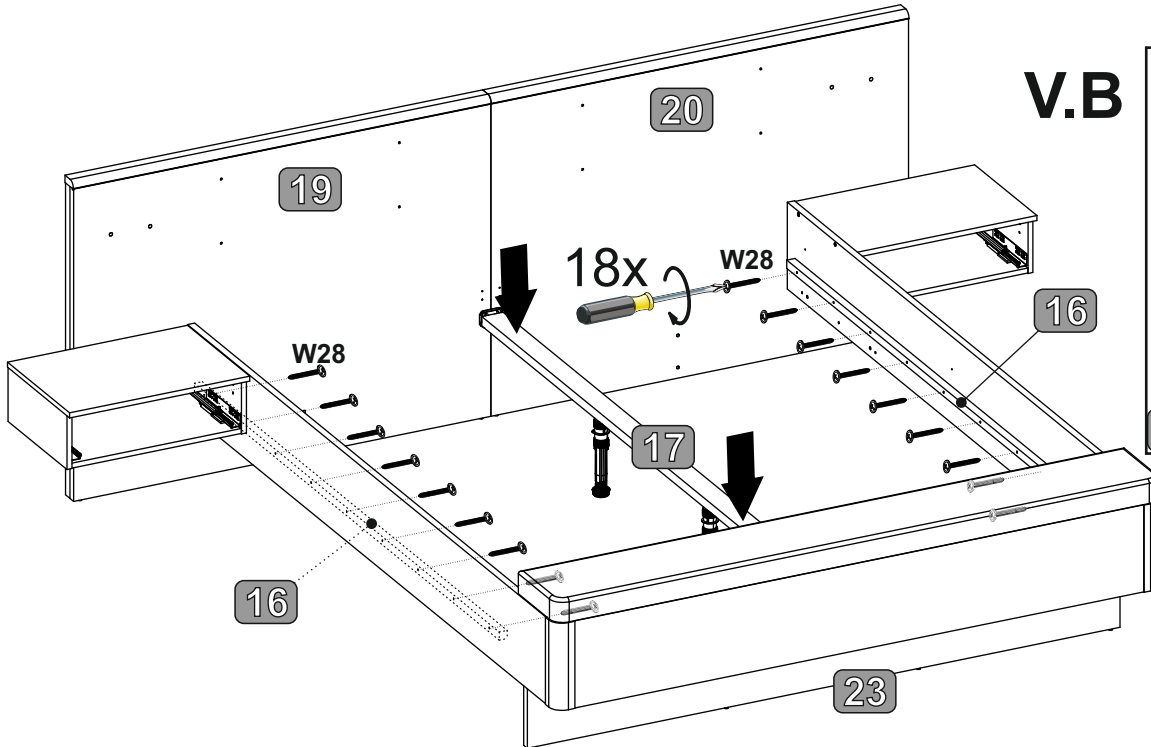
35



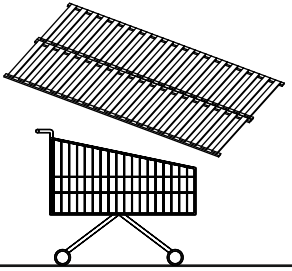
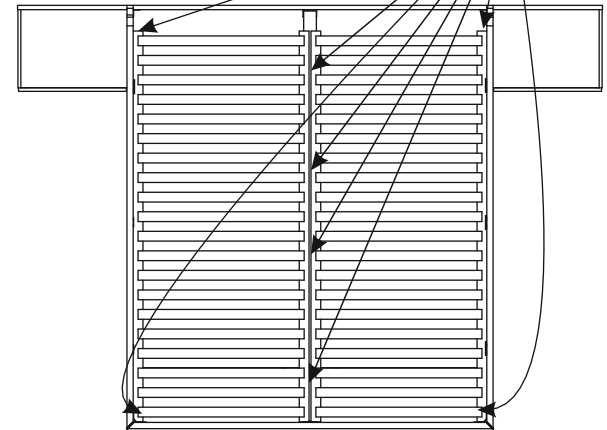
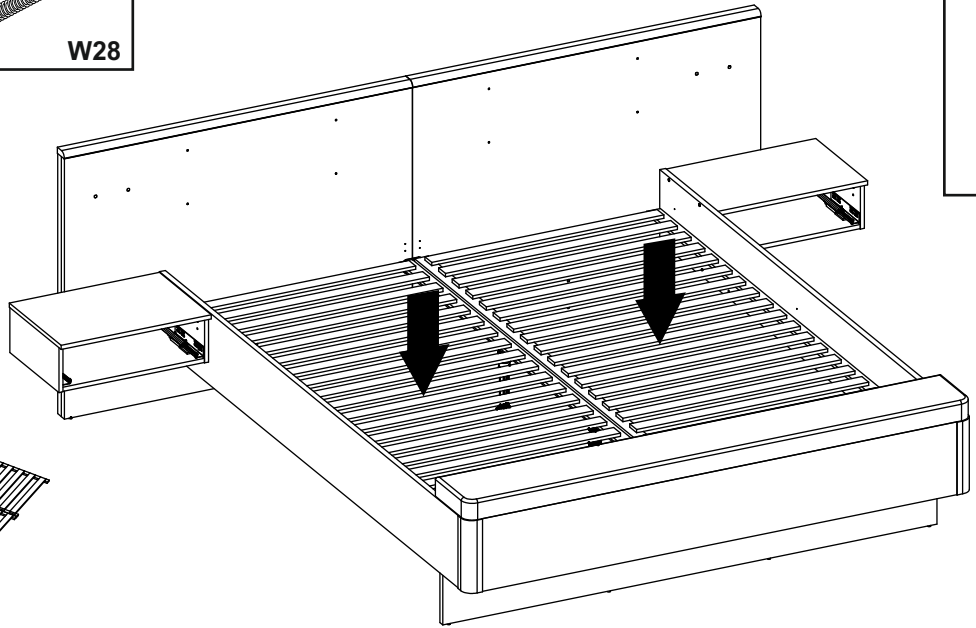
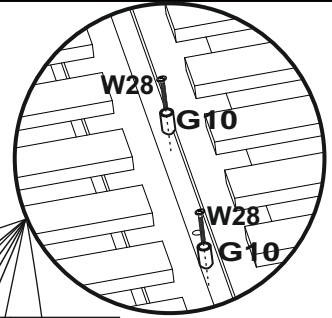
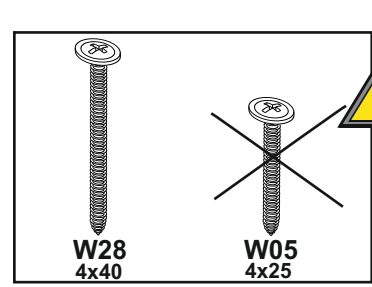
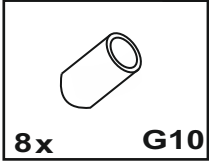
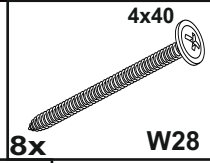
V.A



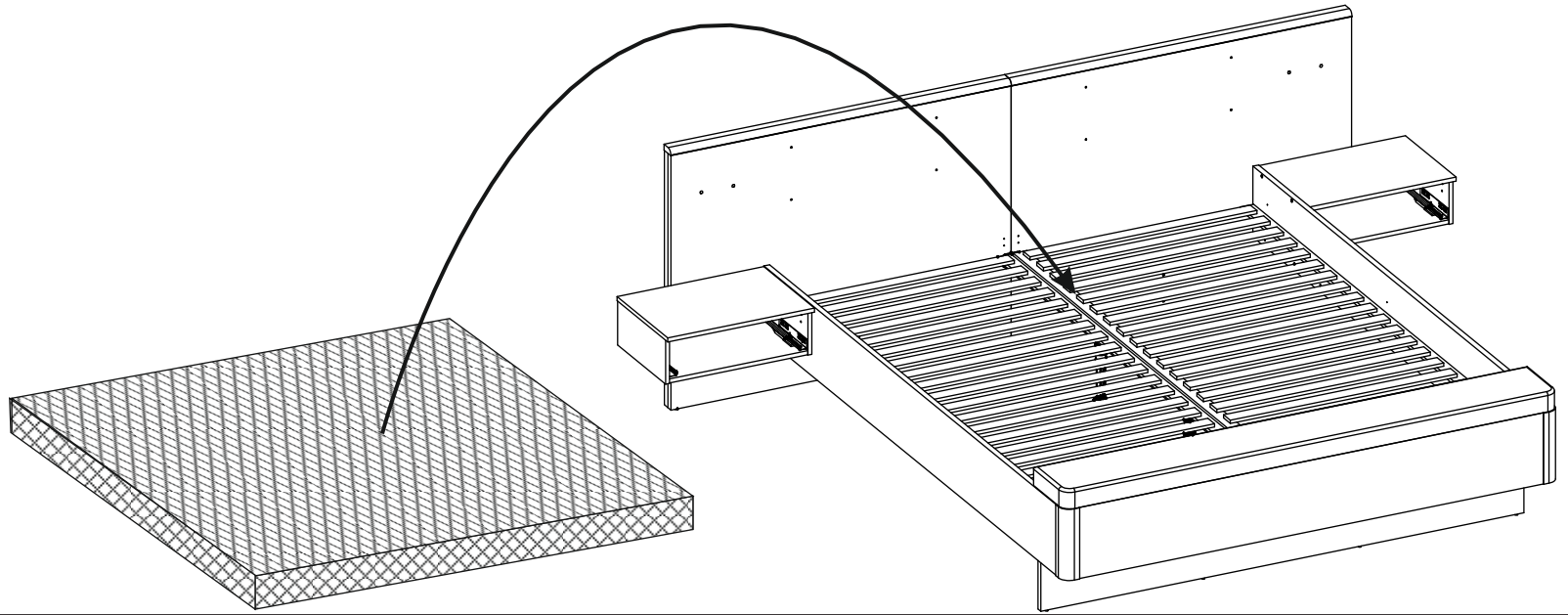
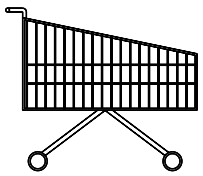
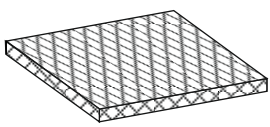
V.B



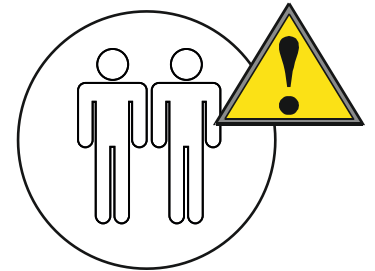
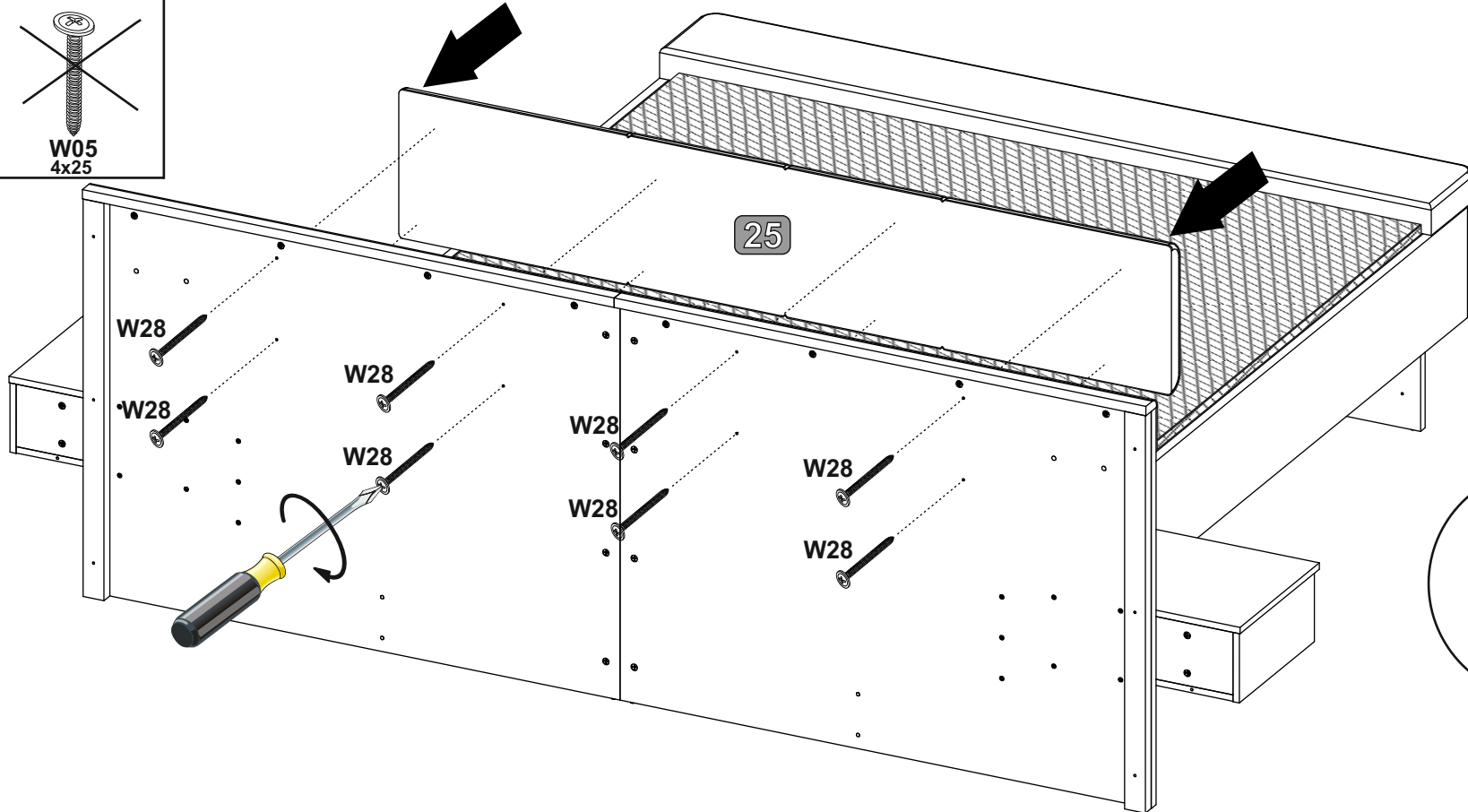
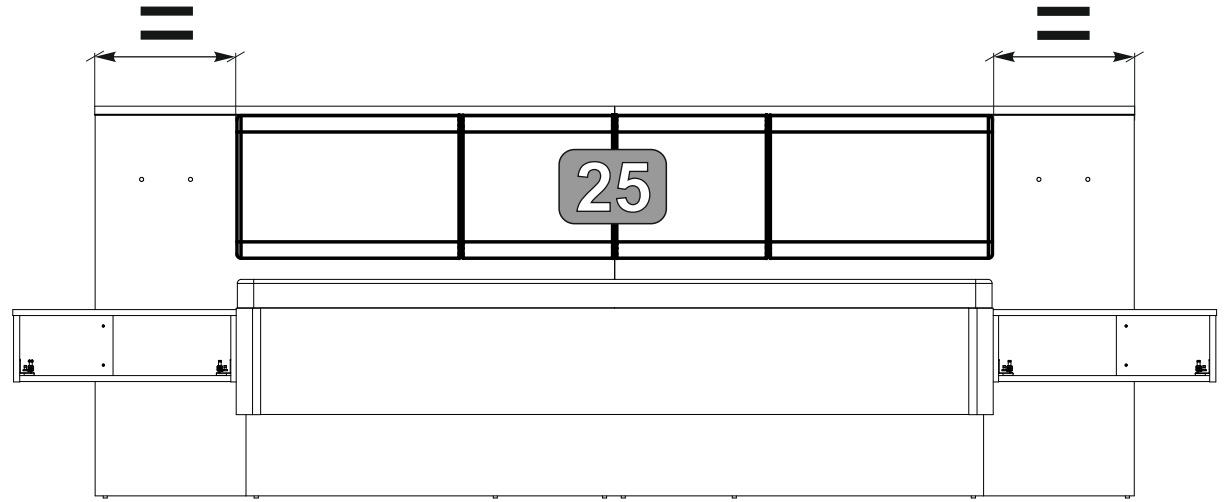
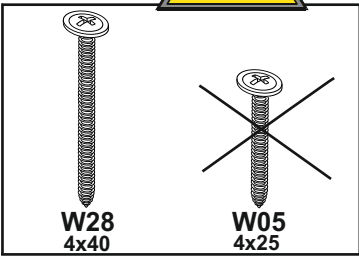
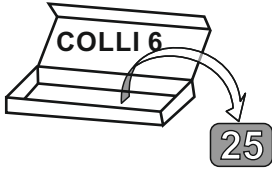
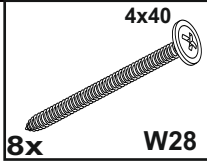
36



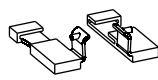


37

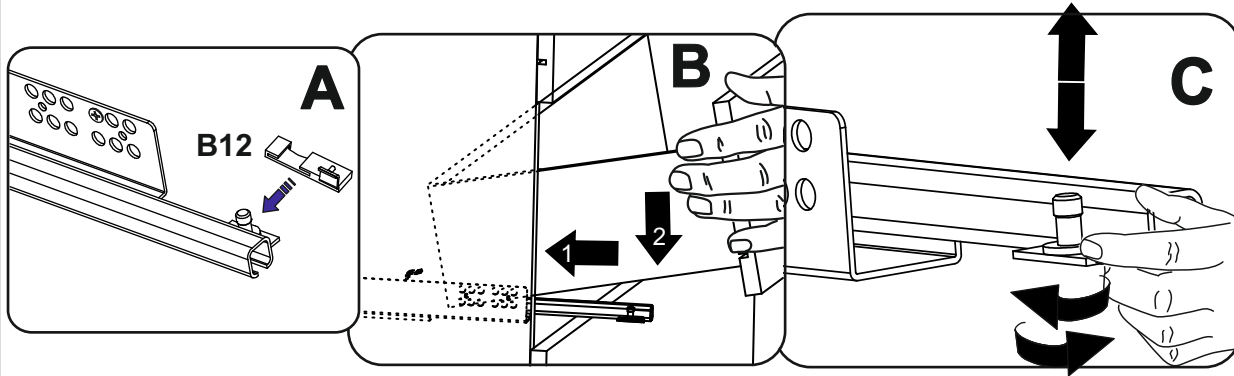
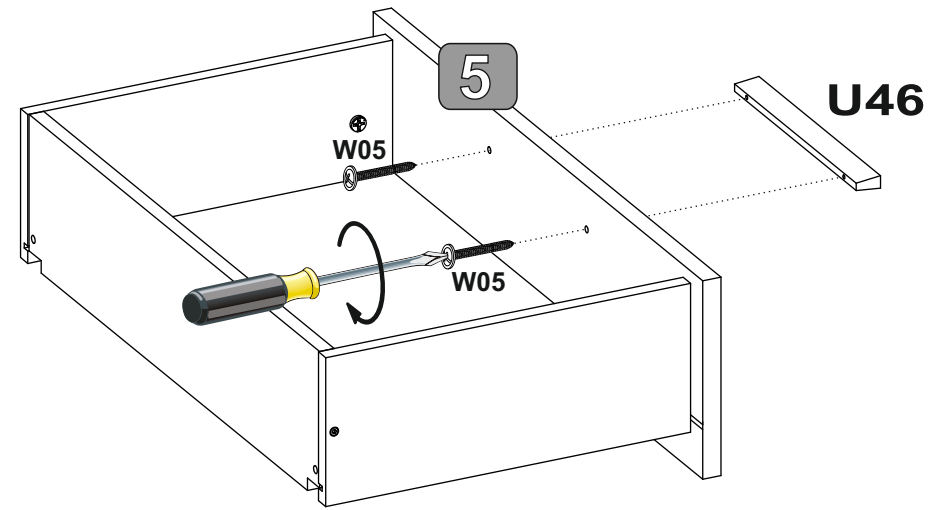
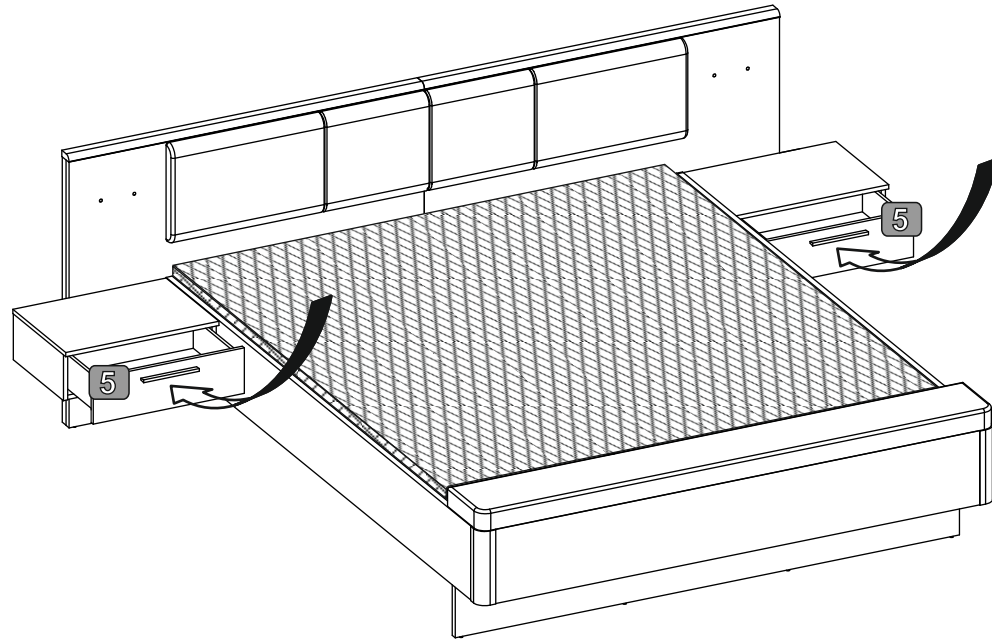


38

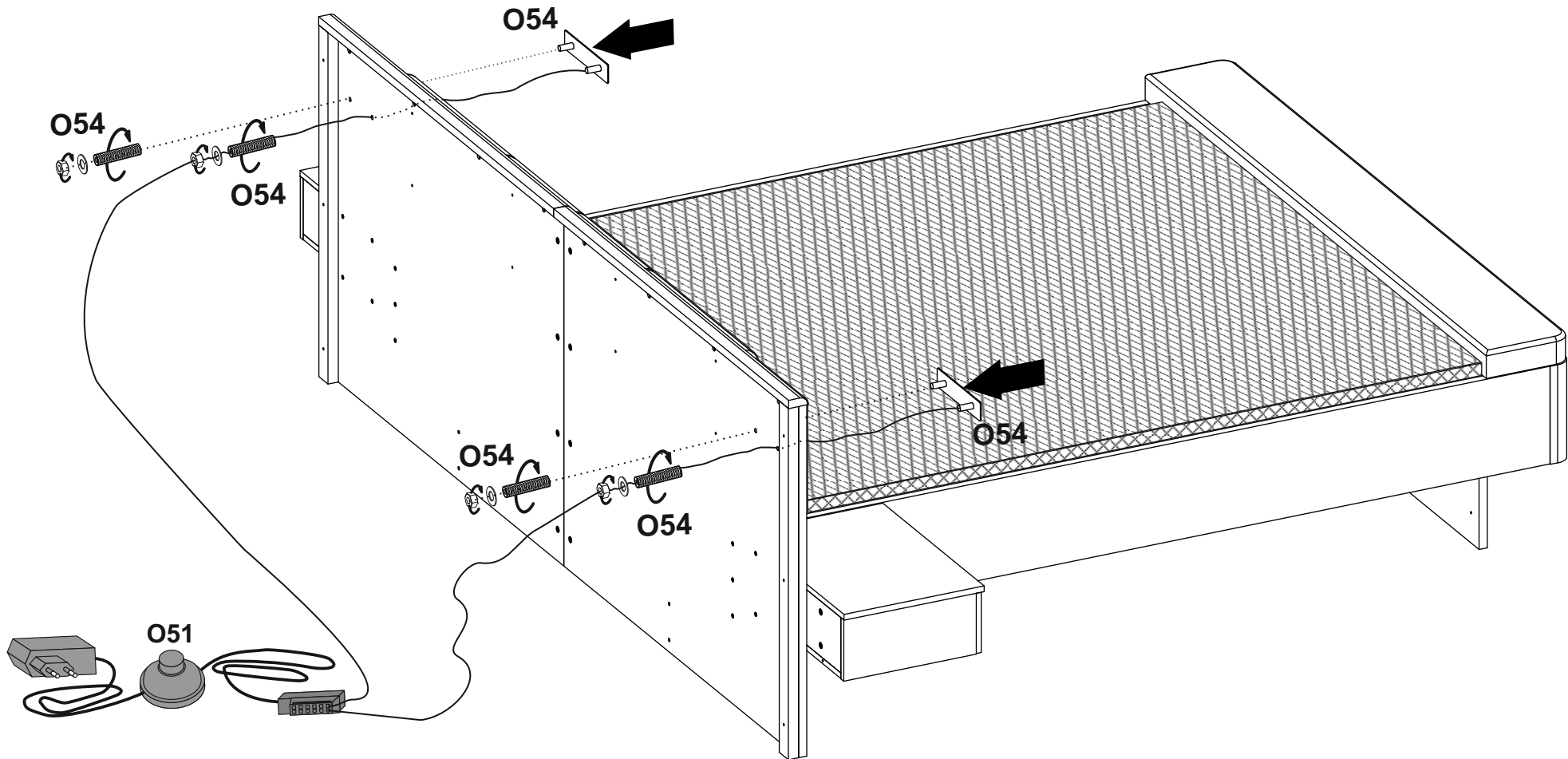
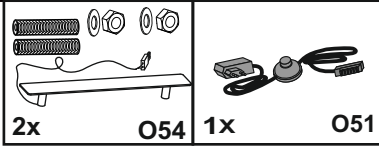


39

- | | | |
|-----------------------------------------------------------------------------------|-----------------------------------------------------------------------------------|-----------------------------------------------------------------------------------|
| L-200 | 4x25 |  |
|  |  | |
| 2x | 4x | 2X _{L+R} |
| U46 | W05 | B12 |



40



41

