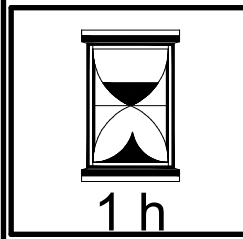
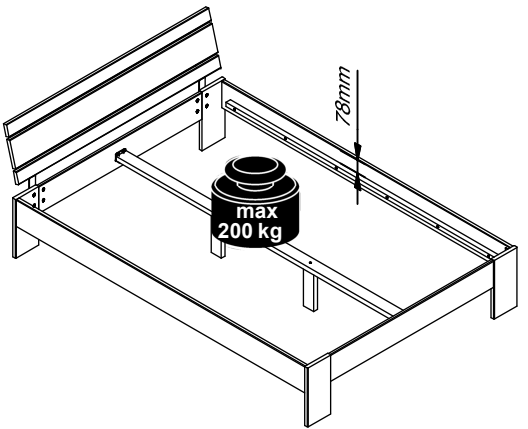
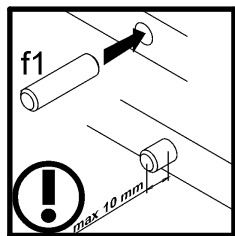


A	B	C (mm)			D
1	L133-1001	2000	160	22	1/2
2	L133-1002	1130	160	18	2/2
3	L133-1003	352	161	22	2/2
4	L133-1004	352	161	22	2/2
5	L133-1005	2000	160	22	1/2
6	L133-1006	352	161	22	2/2
7	L133-1007	352	161	22	2/2
8	L133-5001	1400	70	22	2/2
9	L133-5003	1400	160	22	2/2
10	MZ1-705	242	70	27	2/2
11	ZZ1-719	1983	70	27	1/2
12	ZZ1-792	1880	25	30	1/2

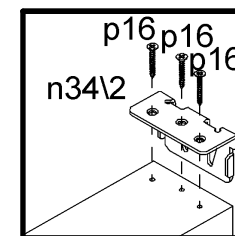
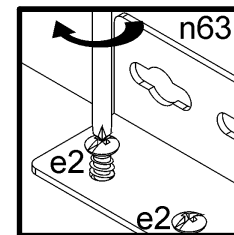
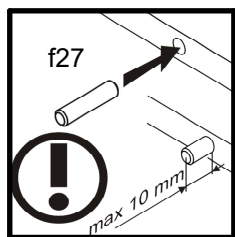
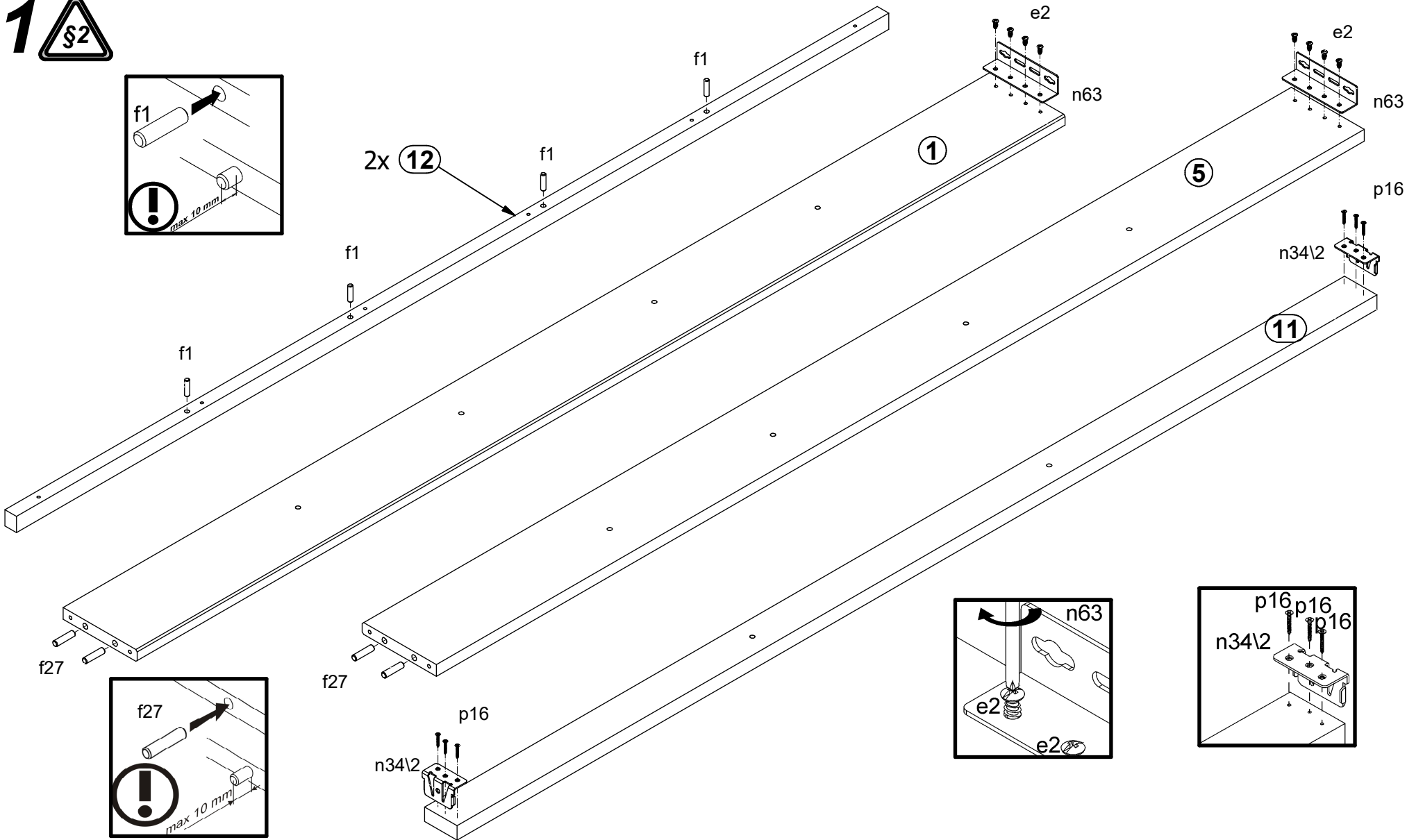


D
1/2

16x Ø6.3x13 mm e2	6x Ø7x70 mm e27	8x Ø6x13 mm e3	8x Ø8x30 mm f1	4x Ø10x40 mm f27	8x Ø8x50 mm f6	2x n34/1	2x n34/2	2x 130x34x34/2 mm n63	2x 54x40/6 mm n96	16x Ø15x12 mm #16 r1	8x r10	12x Ø4x45 mm p11
6x Ø3.5x25 mm p16	16x Ø4x25 mm p36	12x Ø5x20 mm p45	1x 4 mm z1									

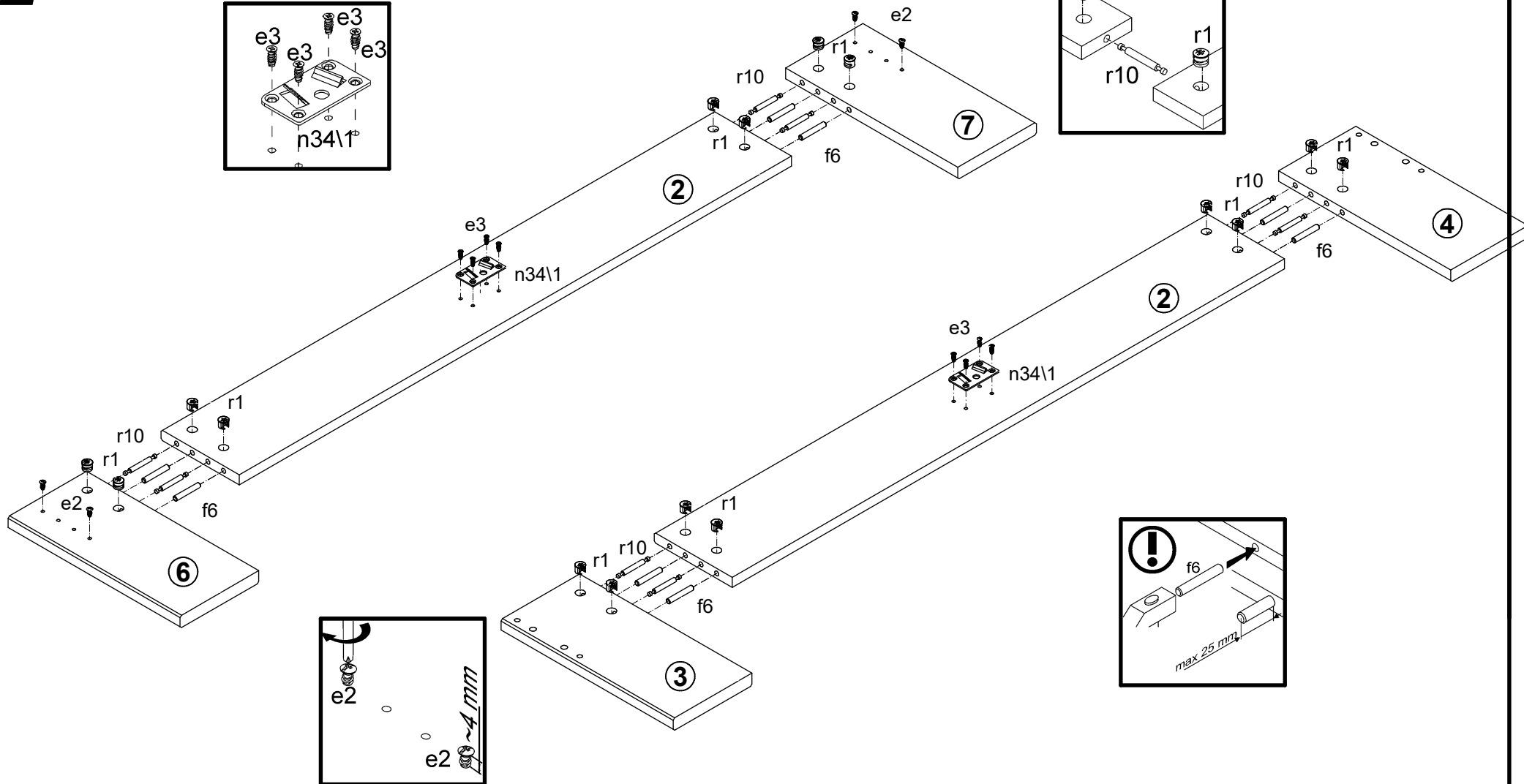
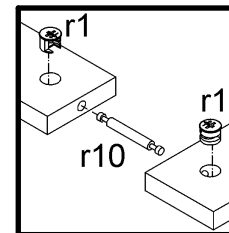
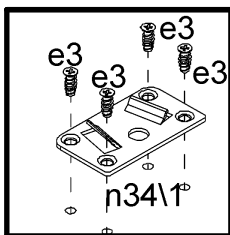








2x 12



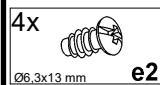
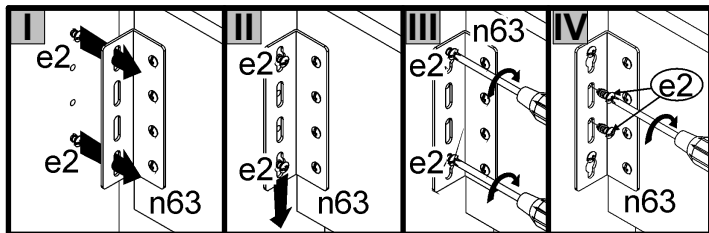
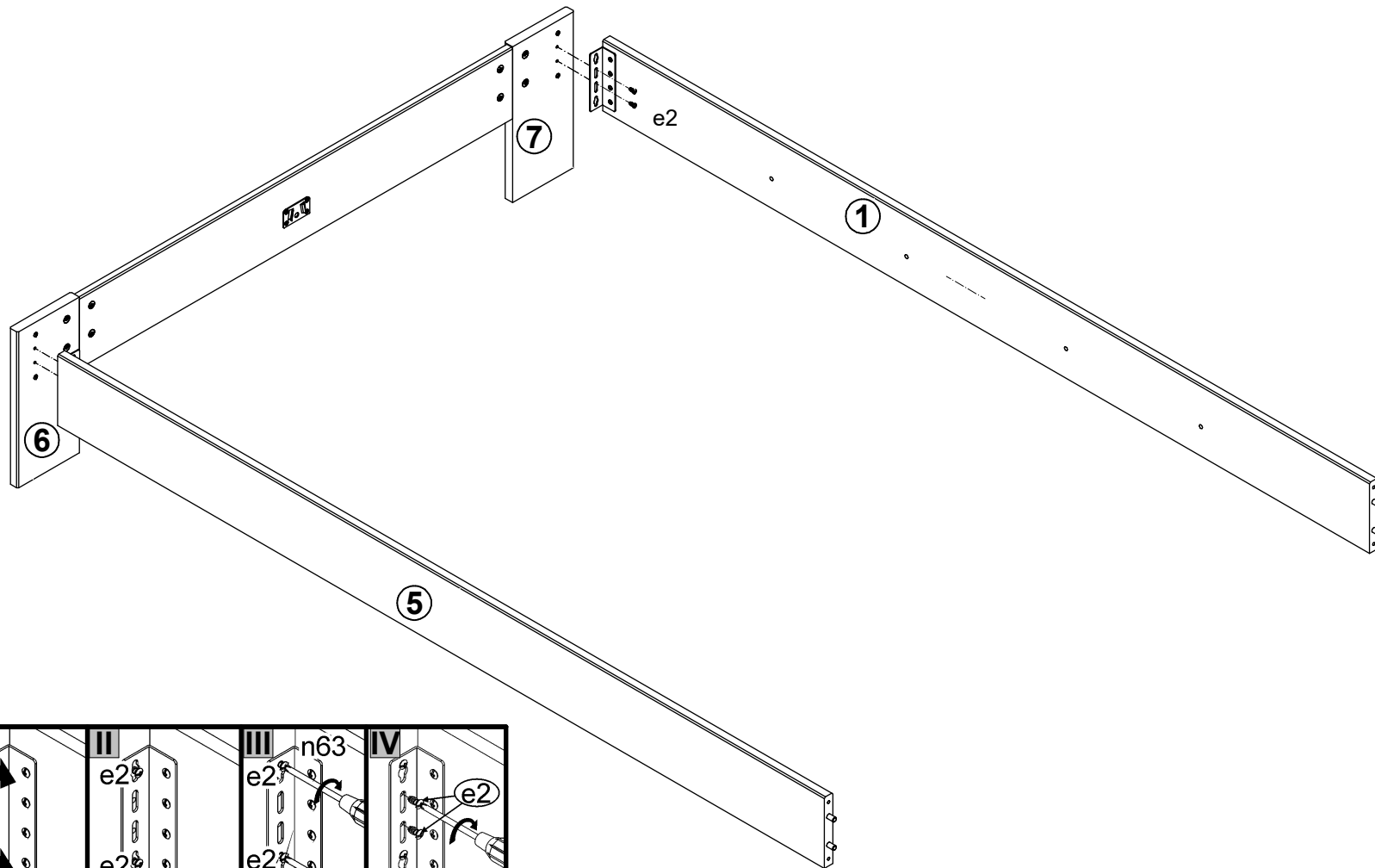
- 8x e2 Ø6,3x13 mm
- 8x f1 Ø8x30 mm
- 4x f27 Ø10x40 mm
- 2x n34\2
- 2x n63 130x34x34/2 mm
- 6x p16 Ø3,5x25 mm

2

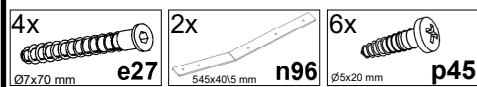
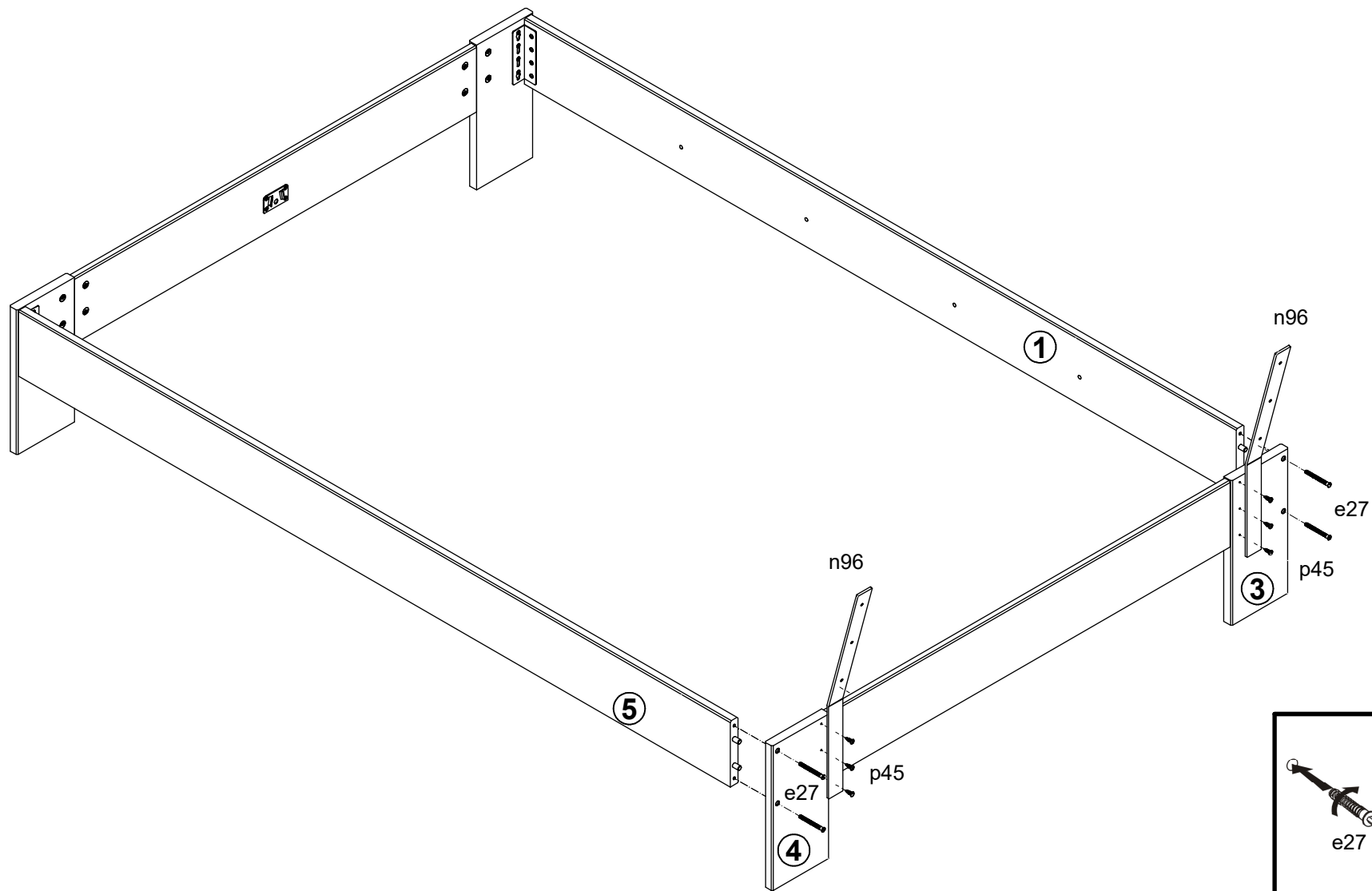


- 4x  e2
Ø6.3x13 mm
- 8x  e3
Ø6x13 mm
- 8x  f6
Ø8x50 mm
- 2x  n34\1
- 16x  r1
Ø15x12 mm #16
- 8x  r10

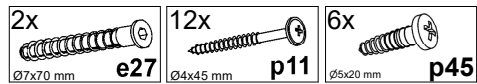
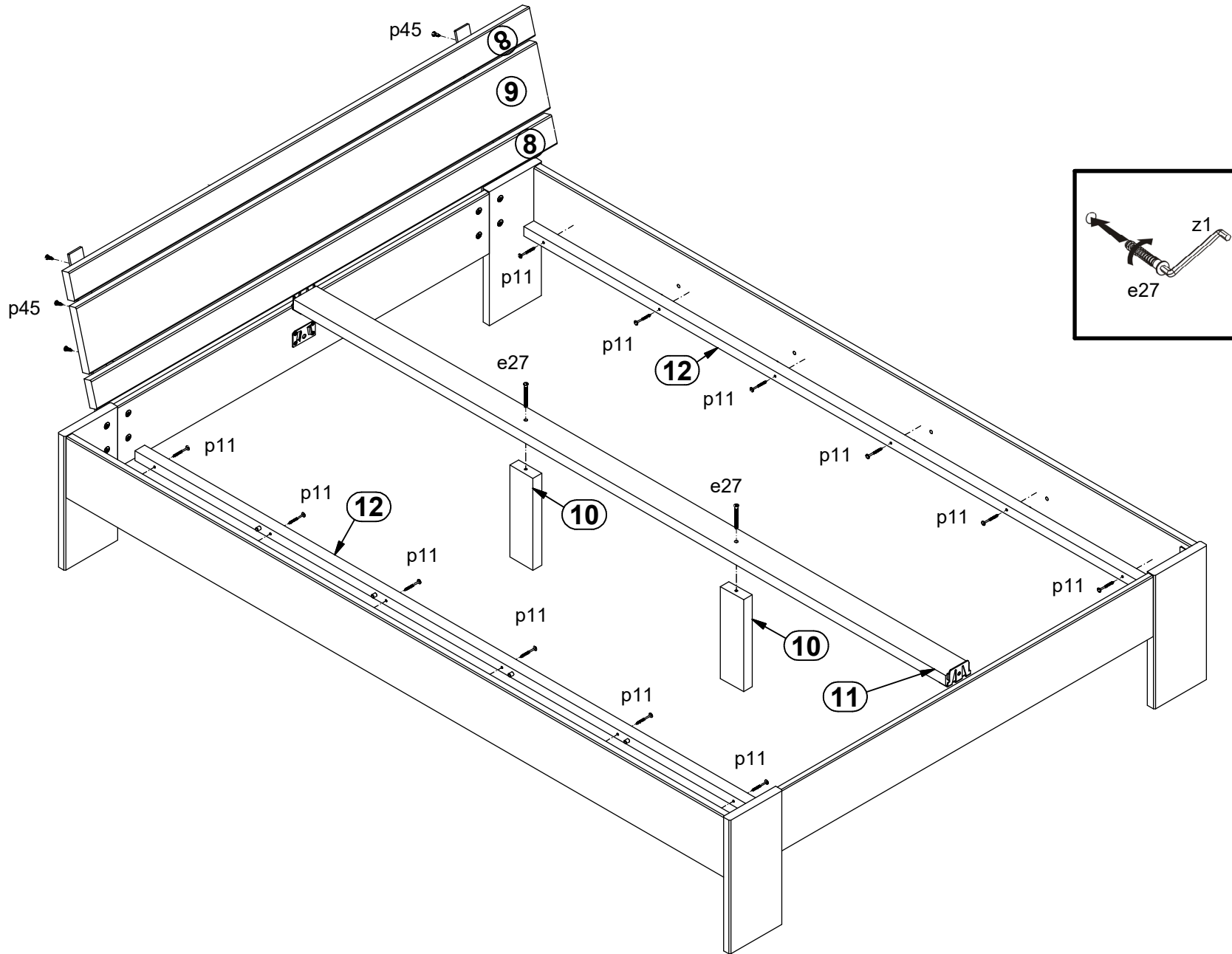
3



4



5



6

