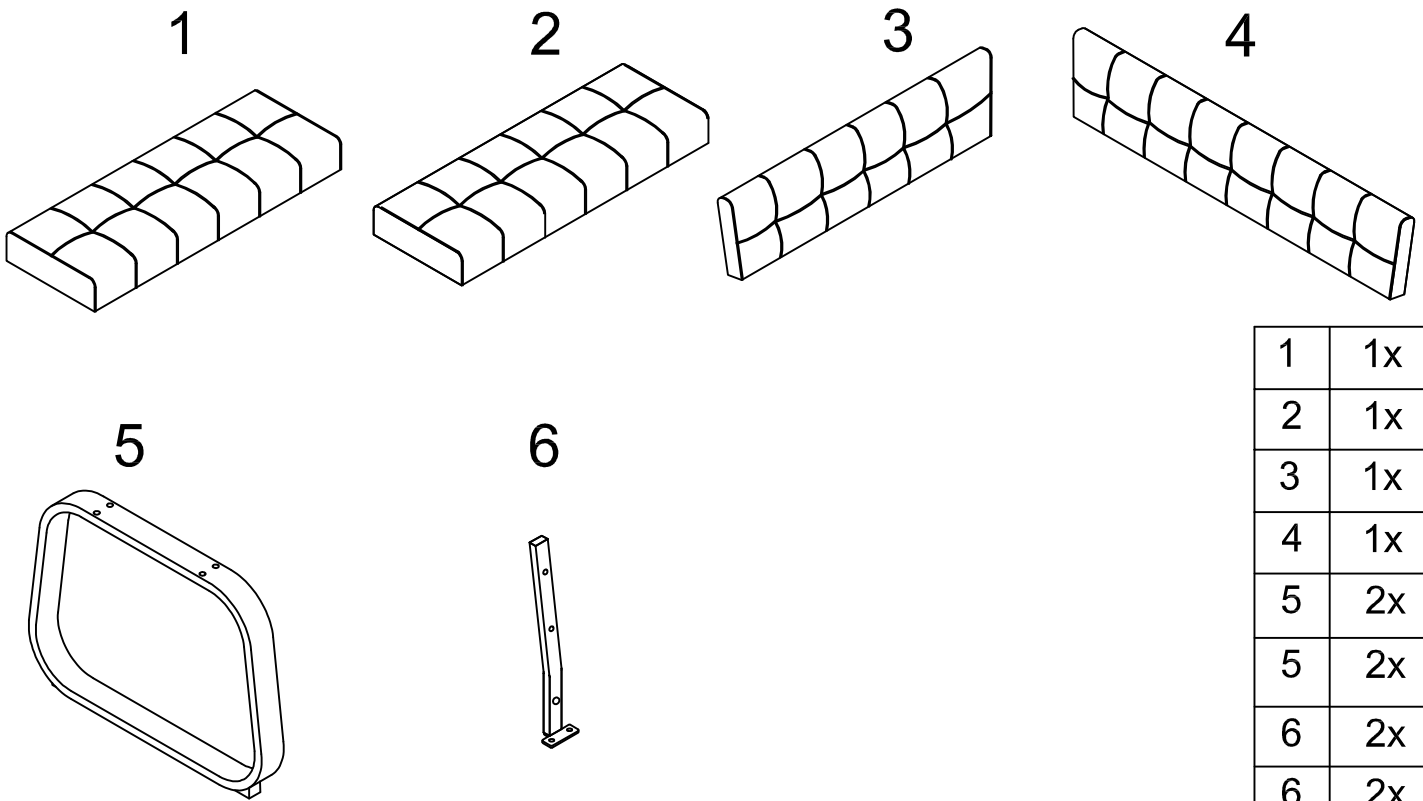
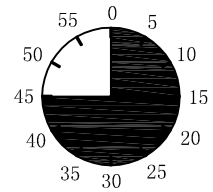
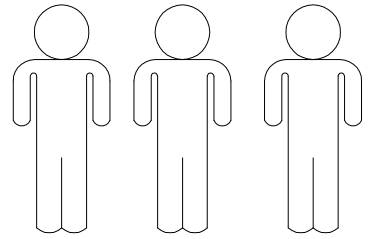
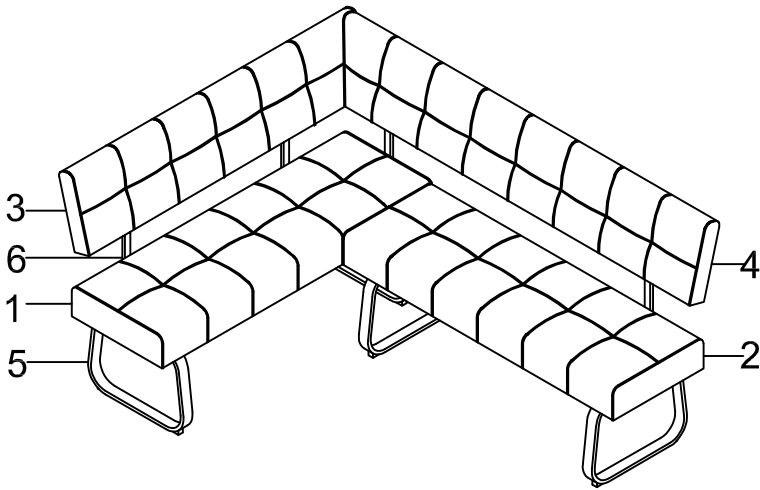

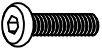




Luise R




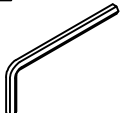
| | |  |
|---|----|---|
| 1 | 1x | 2/3 |
| 2 | 1x | 3/3 |
| 3 | 1x | 1/3 |
| 4 | 1x | 1/3 |
| 5 | 2x | 2/3 |
| 5 | 2x | 3/3 |
| 6 | 2x | 2/3 |
| 6 | 2x | 3/3 |

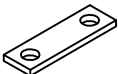
A M8*32

 24X

B M8*18

 12X

C M8*40

 4X

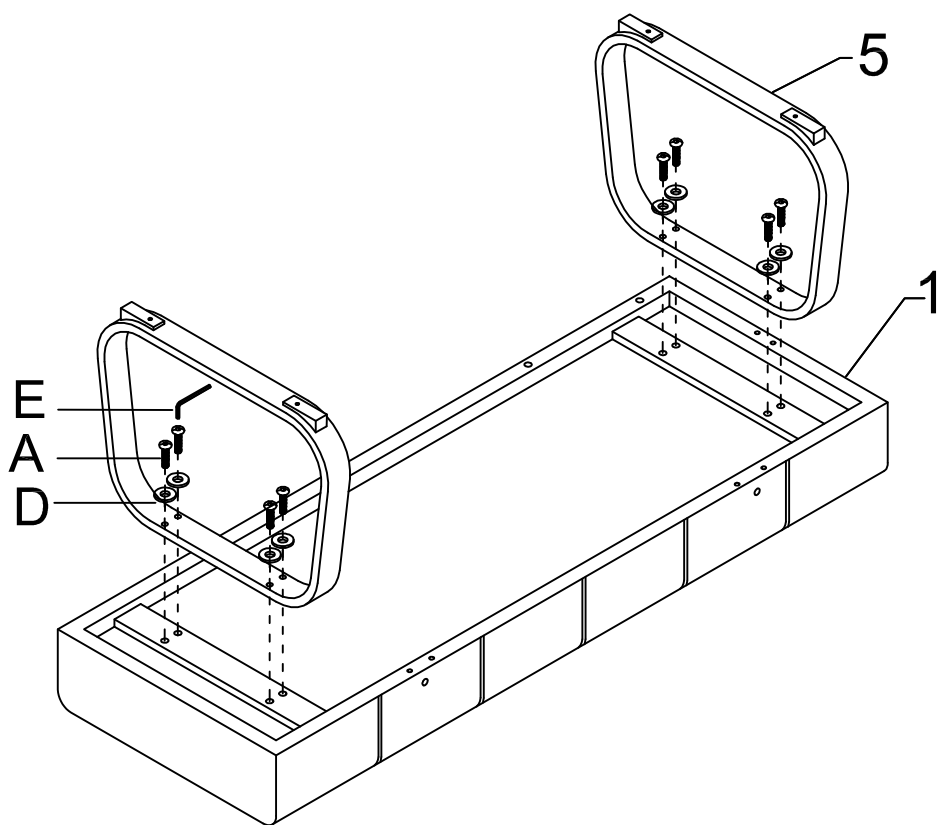
D Ø18*Ø8*1.5

 40X

E 5mm

 1X

F

 2X

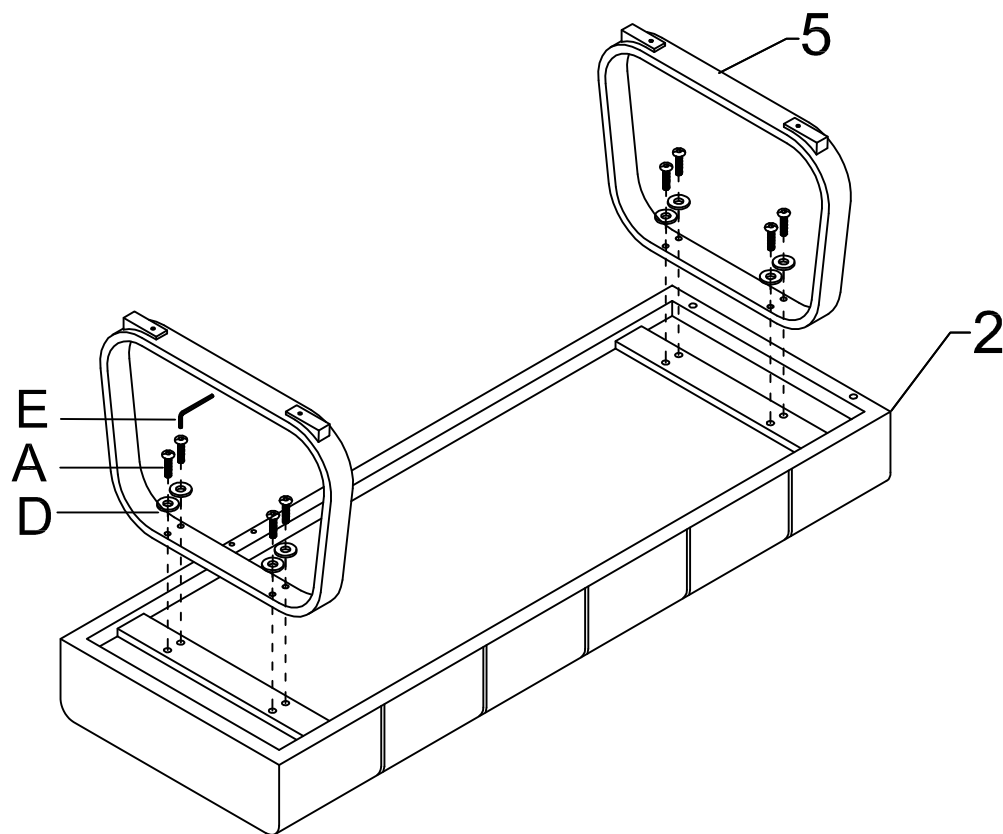
I.

1.



| | |
|---|------------------|
| A | M8*32 8X |
| D | Ø18*Ø8*1.5 8X |
| E | 5mm 1X |
| | |

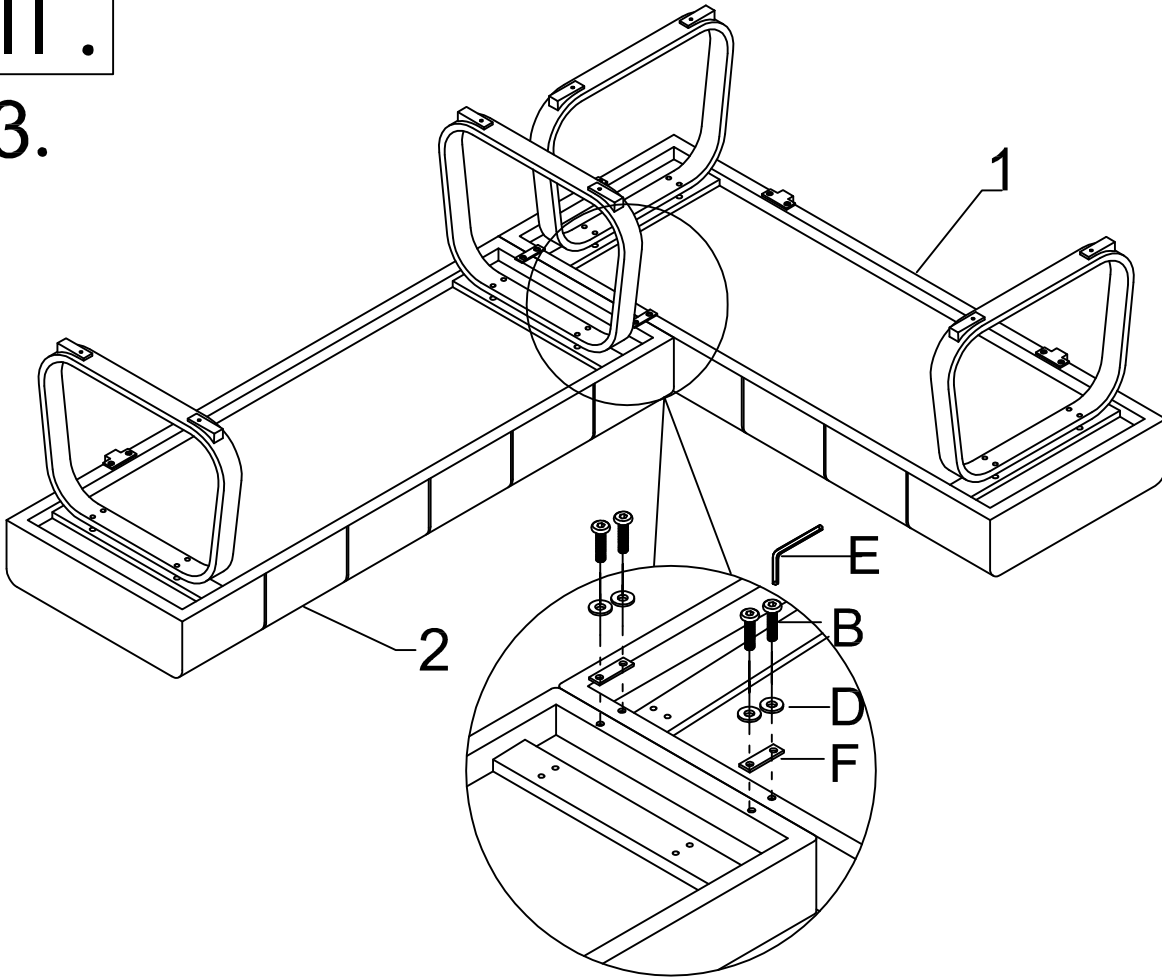
2.



| | |
|---|------------------|
| A | M8*32 8X |
| D | Ø18*Ø8*1.5 8X |
| E | 5mm 1X |
| | |

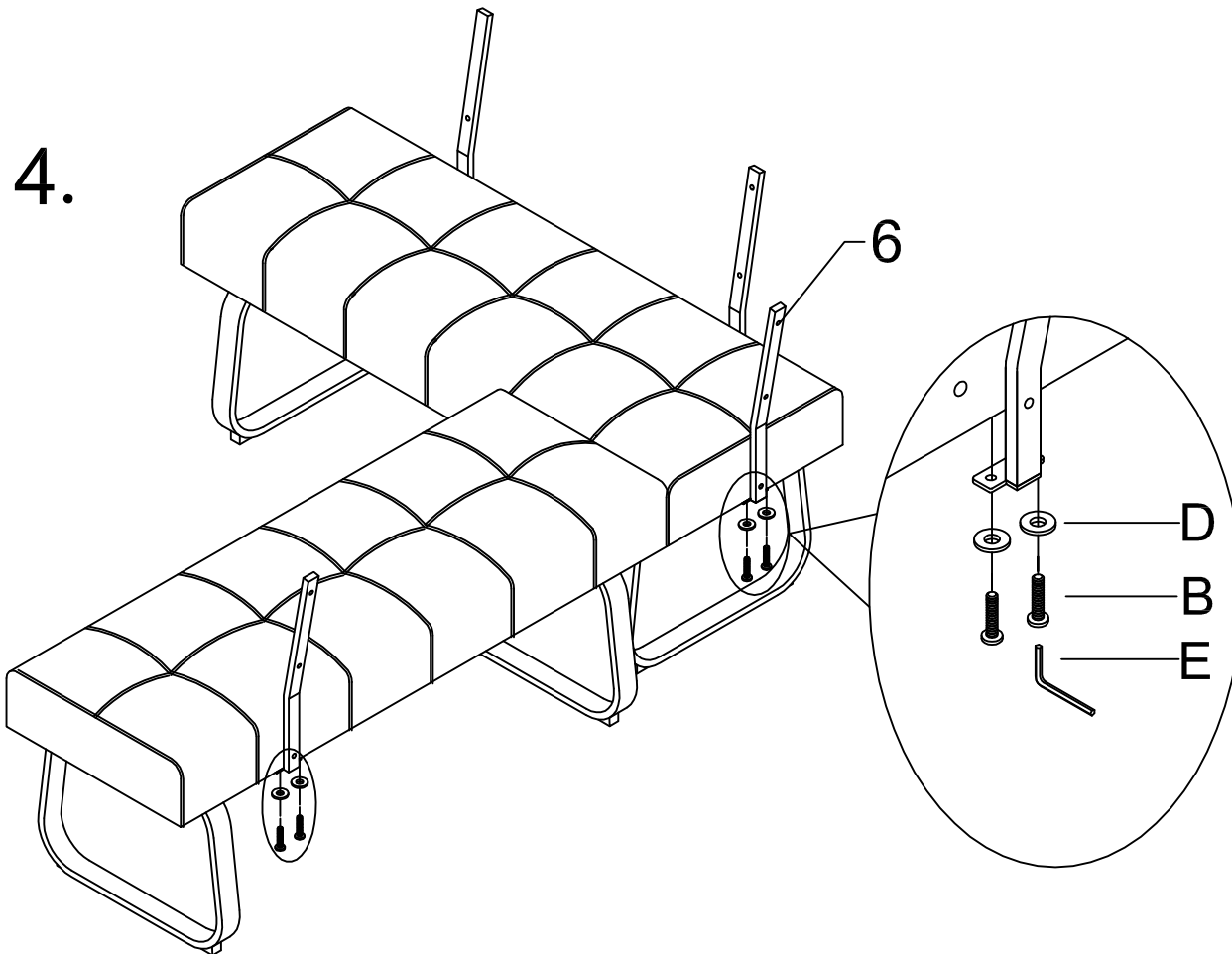
11.

3.



- B** M8*18
4X
 - D** Ø18*Ø8*1.5
4X
 - E** 5mm
1X
 - F**
2X
- 75%

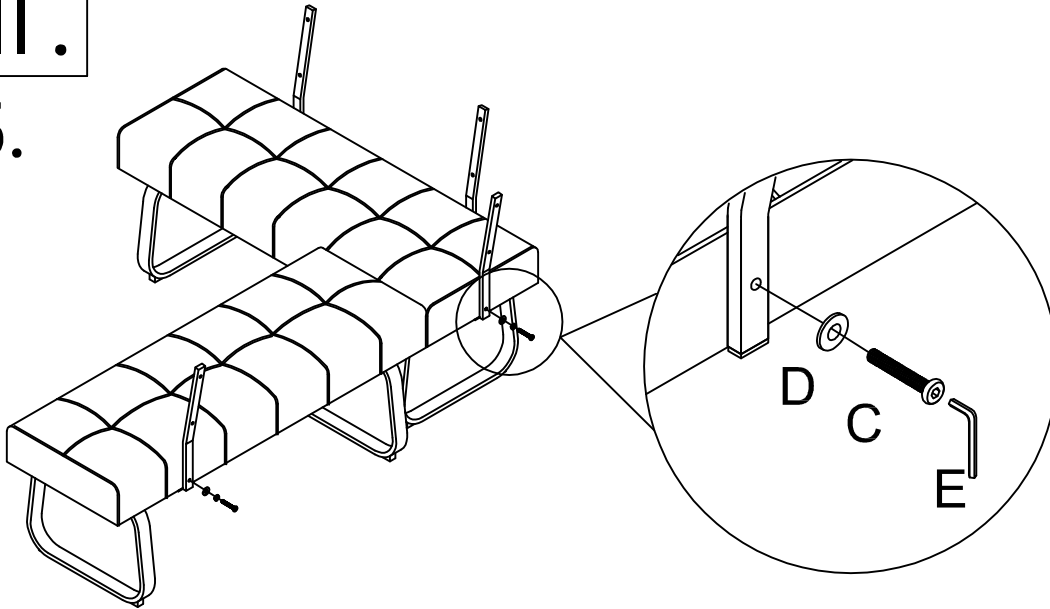
4.



- B** M8*18
8X
 - D** Ø18*Ø8*1.5
8X
 - E** 5mm
1X
- 75%

III.

5.



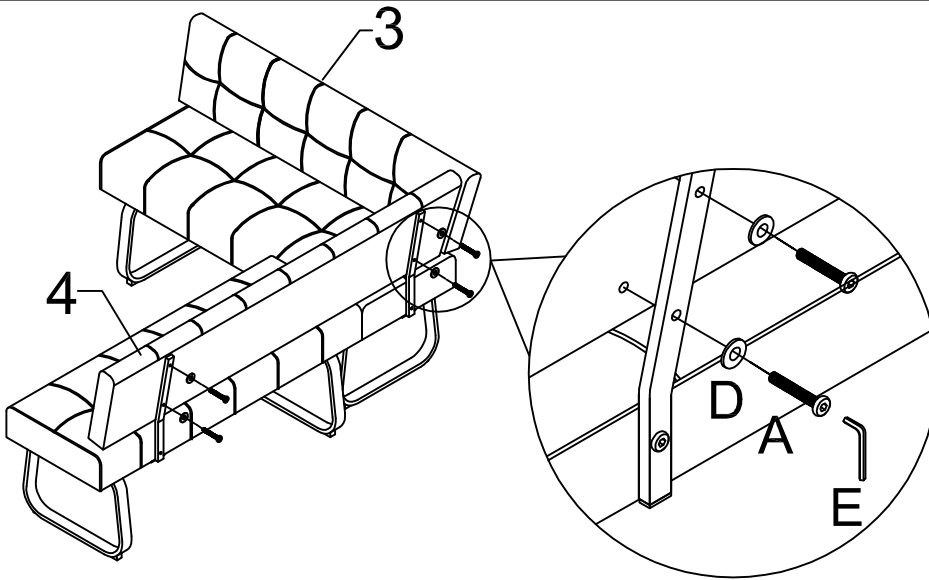
C
M8*40
4X

D
Ø18*Ø8*1.5
4X

E
5mm
1X



6.



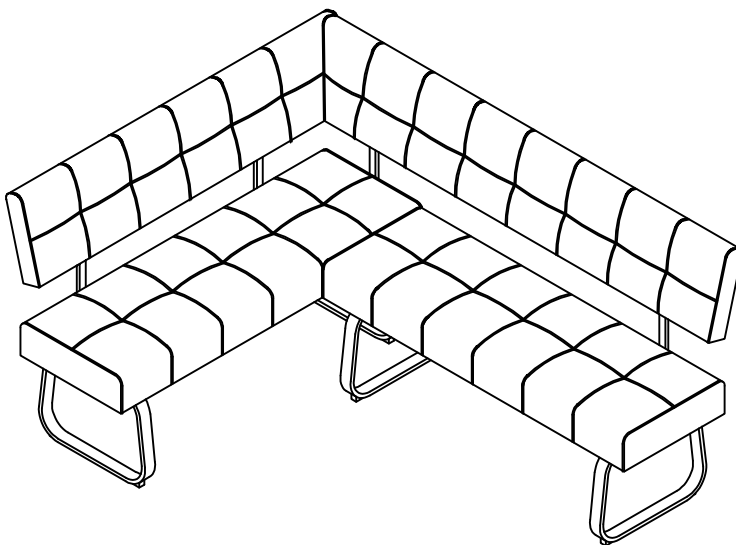
A
M8*32
8X

D
Ø18*Ø8*1.5
8X

E
5mm
1X



7.



E
5mm
1X

