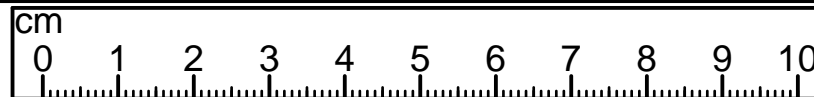
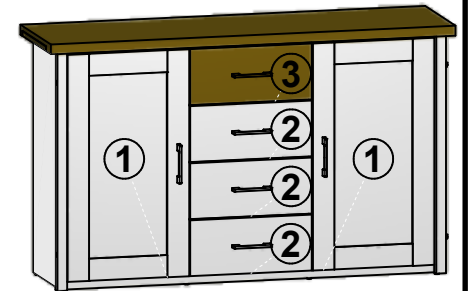
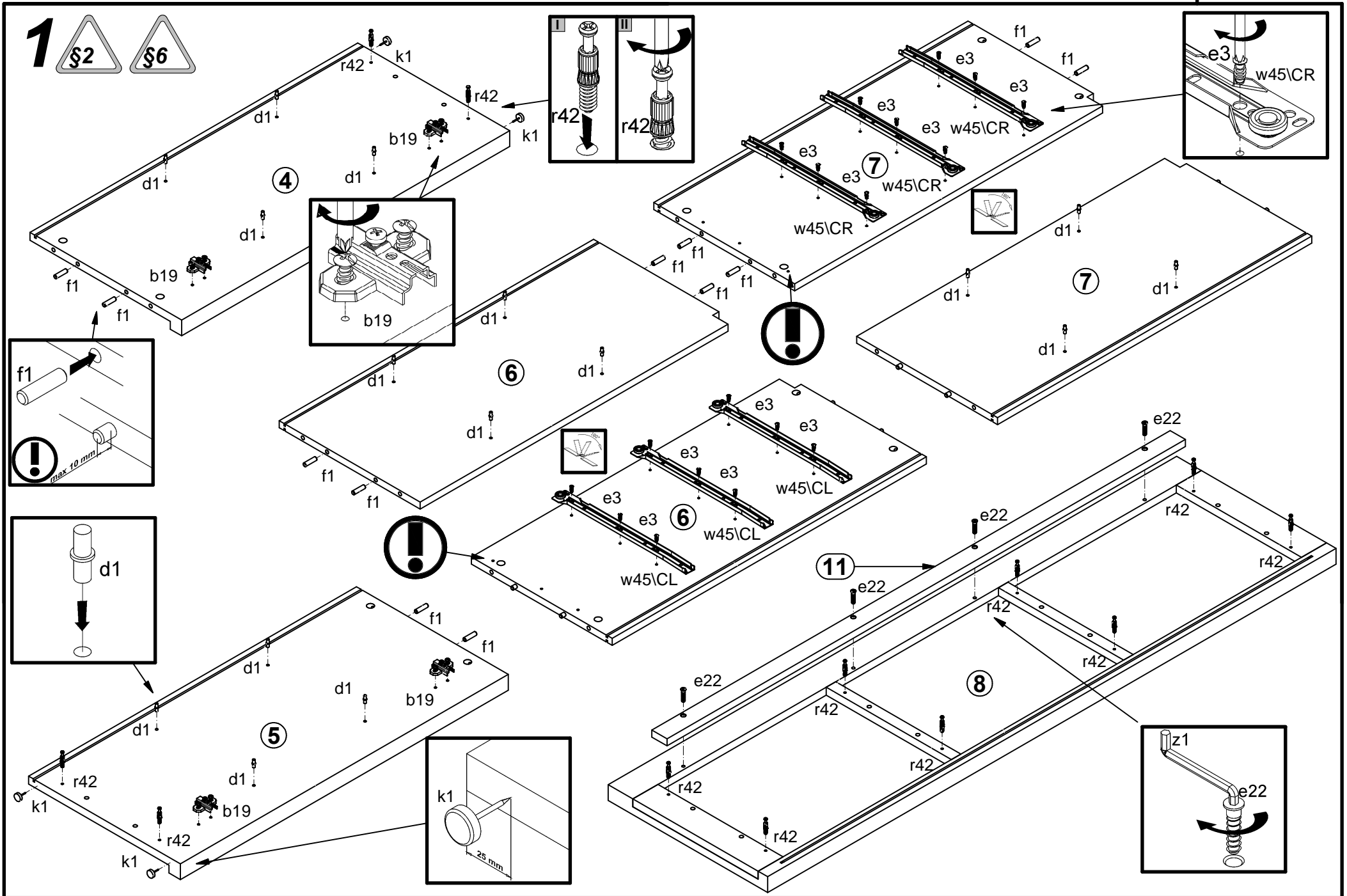


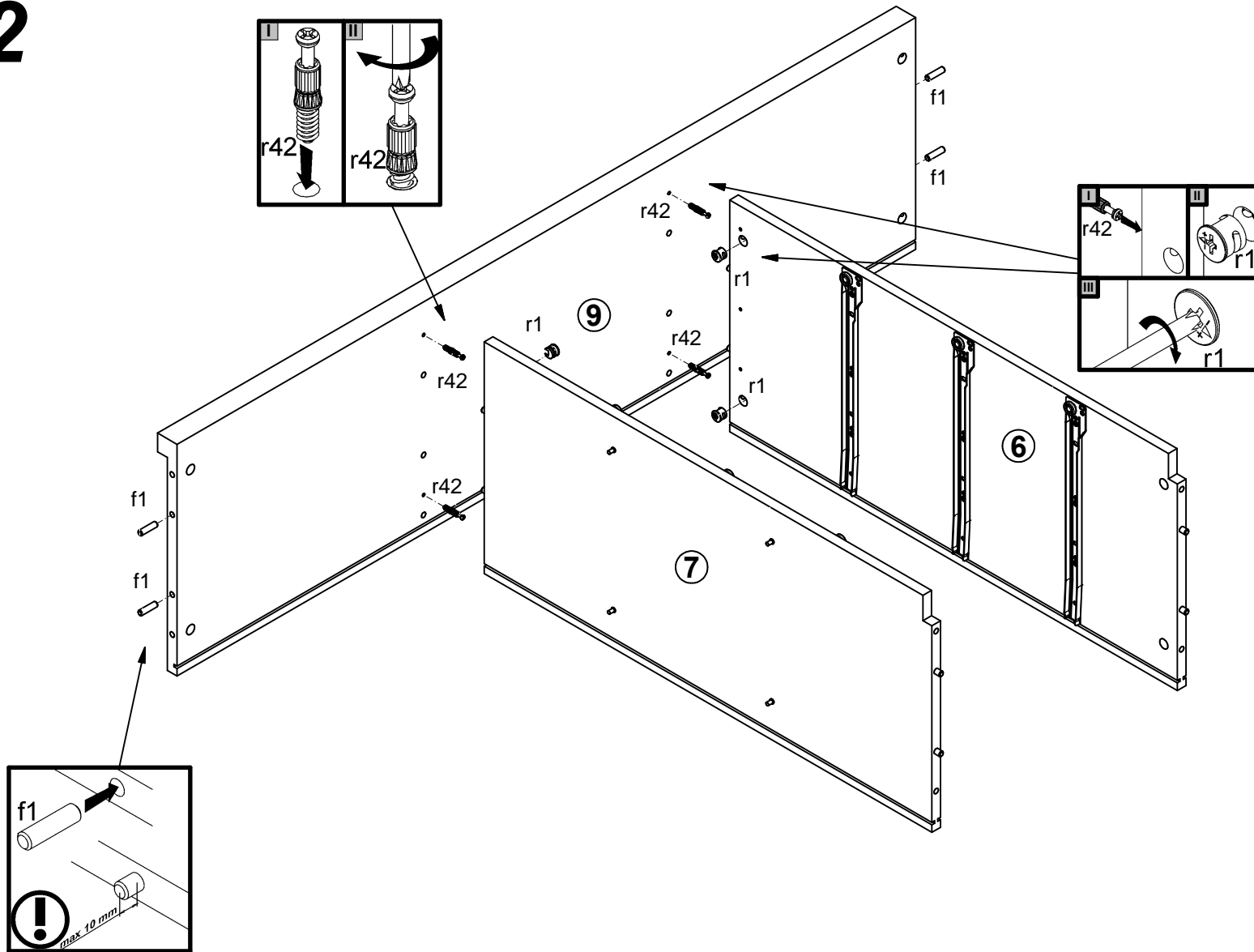
A	B	C (mm)		D
1	L30-009	824	450	3/4
2	L30-010	450	203	4/4
3	L30-019	450	203	4/4
4	L30-107	864	400	1/4
5	L30-108	864	400	1/4
6	L30-109	828	371	1/4
7	L30-110	828	371	1/4
8	L30-202	1498	420	2/4
9	L30-306	1366	371	2/4
10	L30-307	447	350	2/4
11	L30-405	1366	40	2/4
12	L30-905	838	446	3/4
13	L30-906	838	457	3/4
14	L30-907	838	457	3/4
15	L30-908	411	355	1/4
16	ZS3-5594	389	160	1/4
17	ZS4-537	350	160	1/4
18	ZS4-538	350	160	1/4



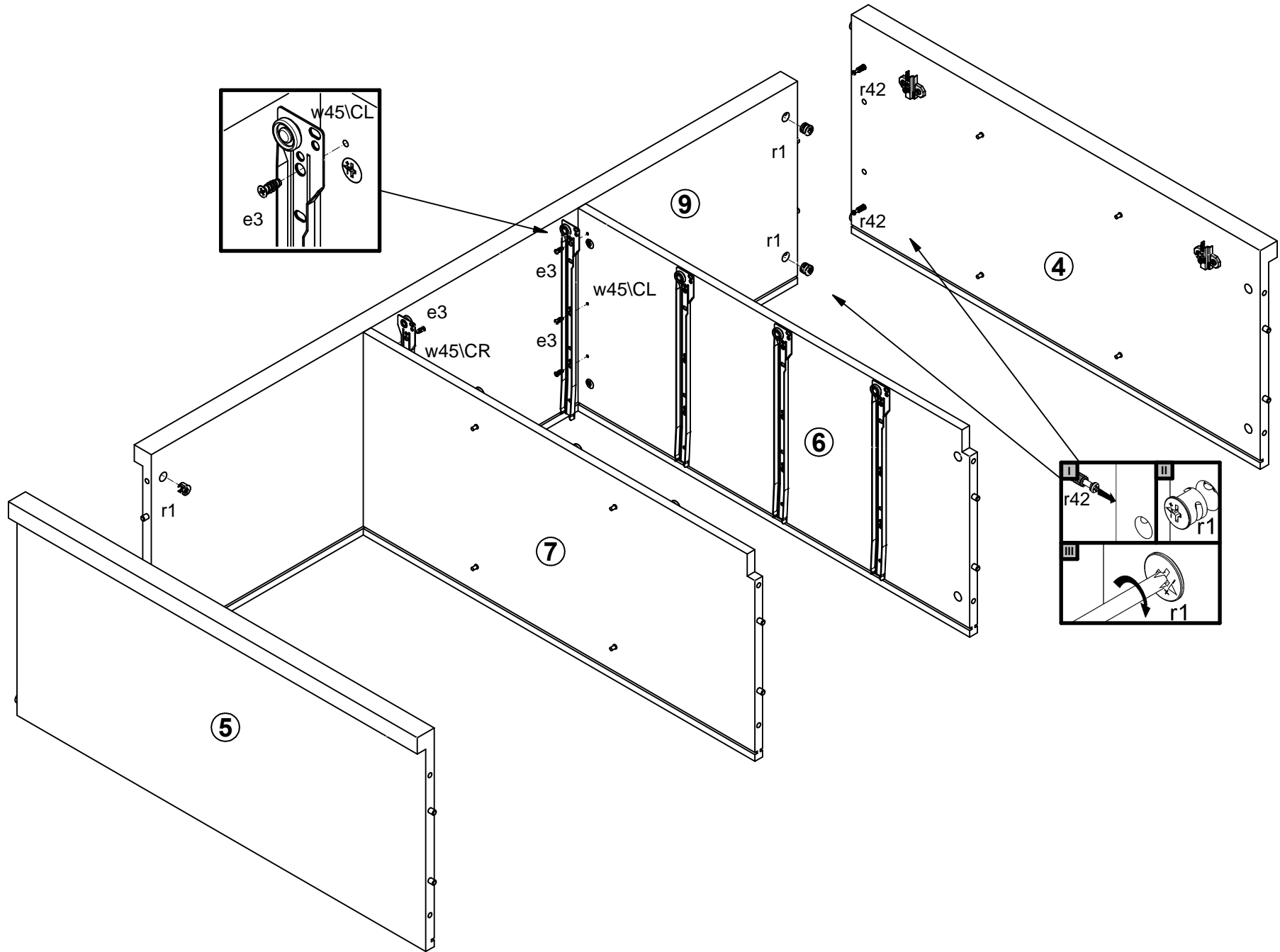
4x a43	4x b19	6x 128 mm c406	16x $\varnothing 5 \times 17$ mm d1	24x $\varnothing 6 \times 13$ mm e3	16x $\varnothing 5 \times 9$ mm e19	4x $\varnothing 7 \times 28$ mm e22	16x $\varnothing 8 \times 30$ mm f1	8x $\varnothing 6 \times 30$ mm f9	16x $\varnothing 6.5 \times 40$ mm f25	12x M4x25 mm j8	6x k1	2x M6/ $\varnothing 14 \times 14$ mm k3912
2x M6/22 mm k3913	12x l2	12x $\varnothing 3.5 \times 16$ mm p38	8x $\varnothing 3.5 \times 15$ mm p51	16x $\varnothing 15 \times 12$ mm #16 r1	16x $\varnothing 12 \times 10.5$ mm #12 r15	32x r42	8x $\varnothing 16$ s2	4x 350 mm w45\CL	4x 350 mm w45\CR	4x 350 mm w45\DL	4x 350 mm w45\DR	1x z1
1x n261	1x $\varnothing 3.5 \times 16$ mm p38											



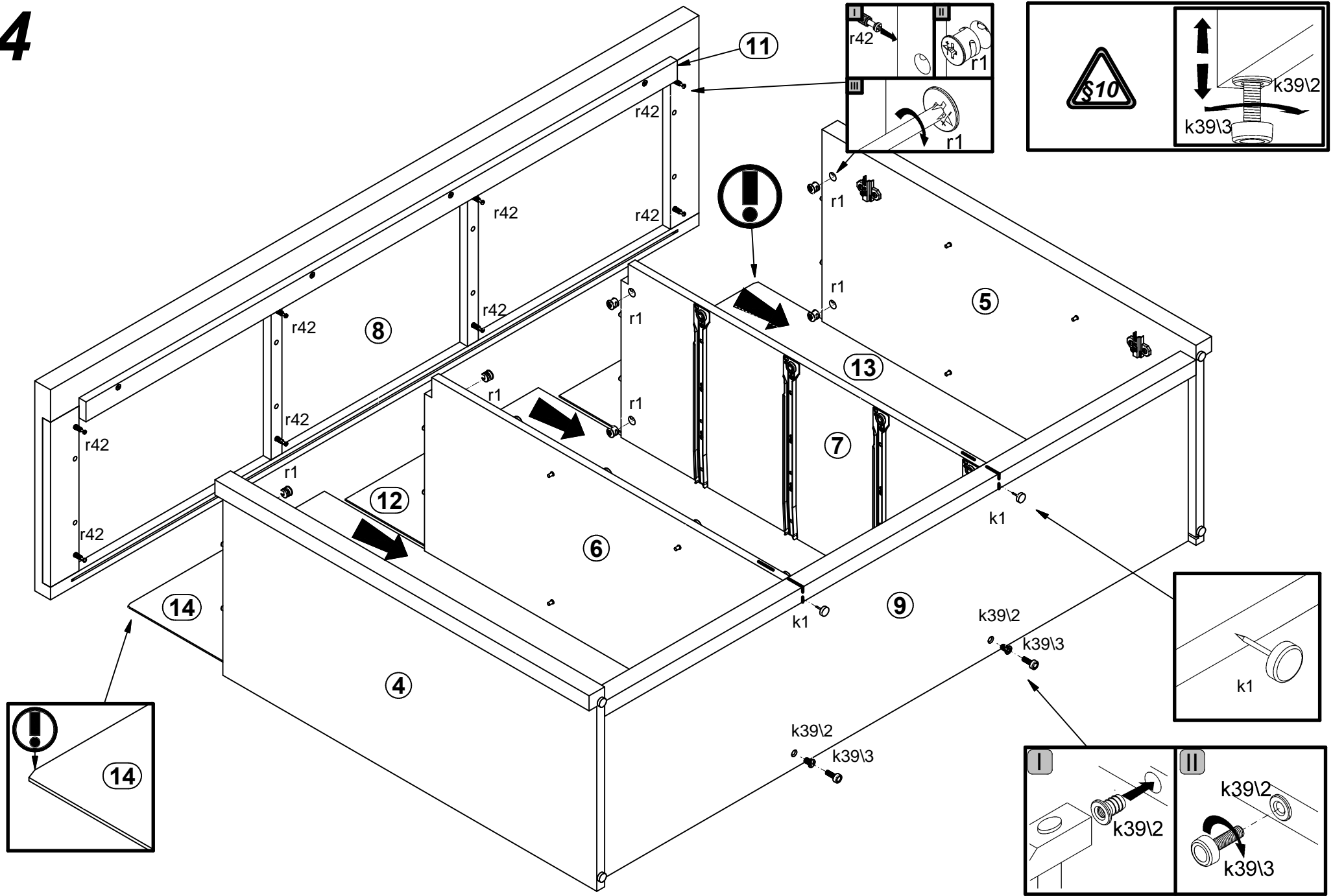
2



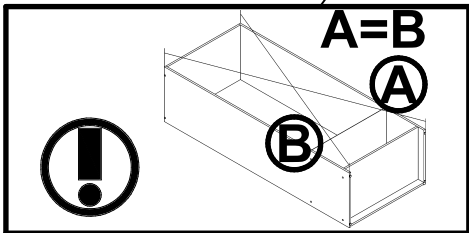
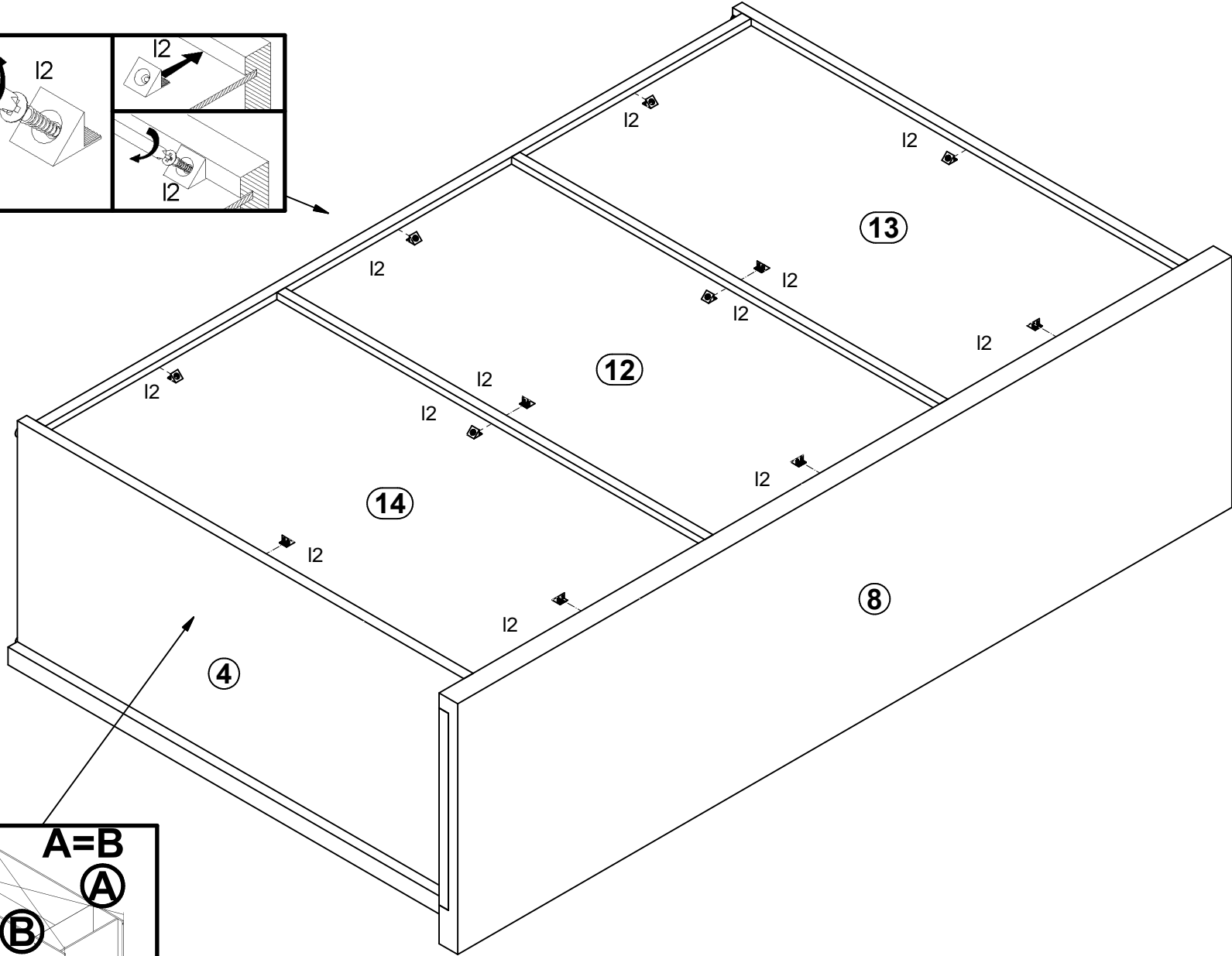
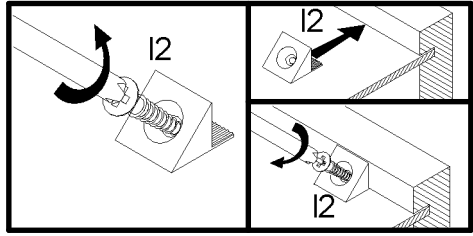
3



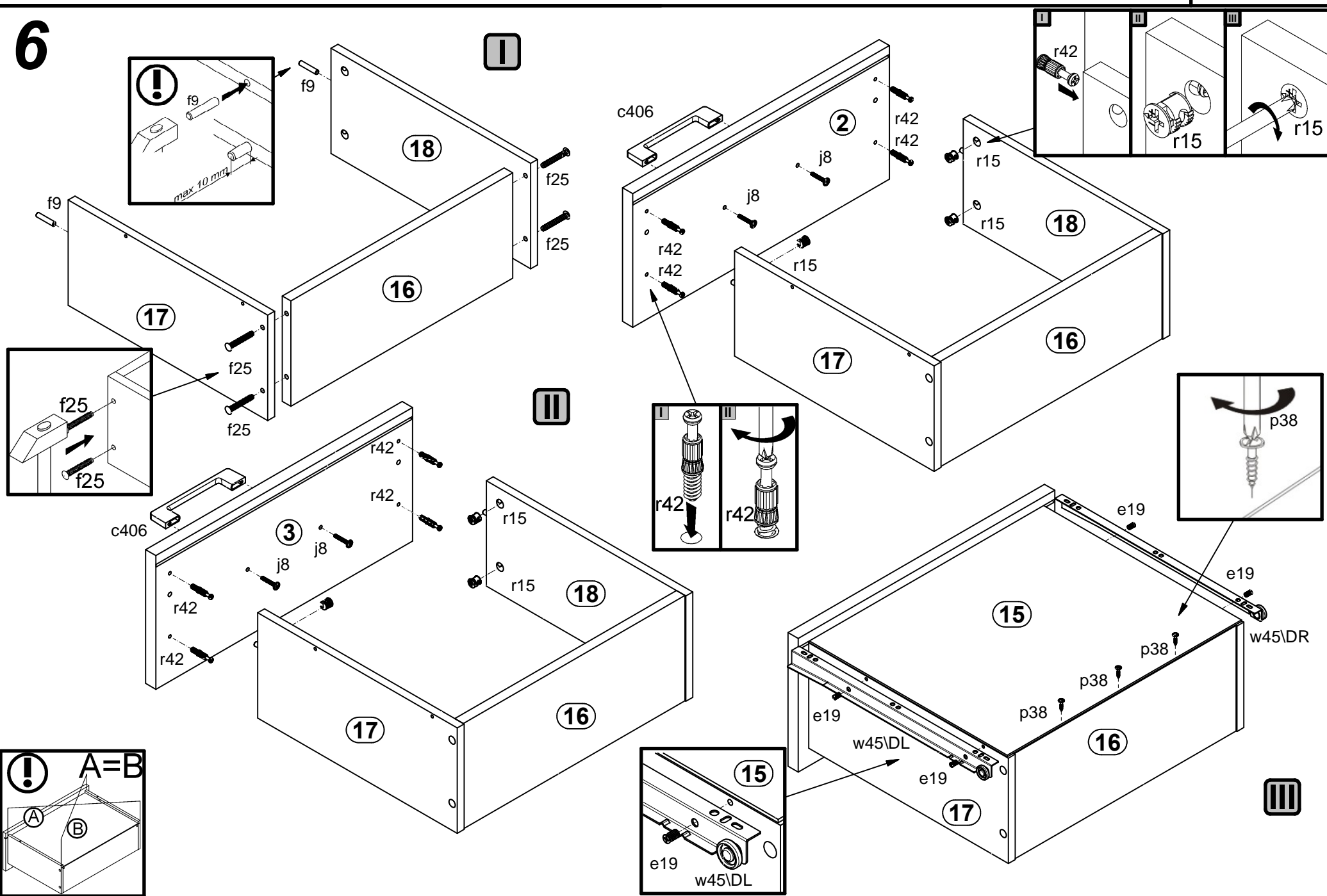
4



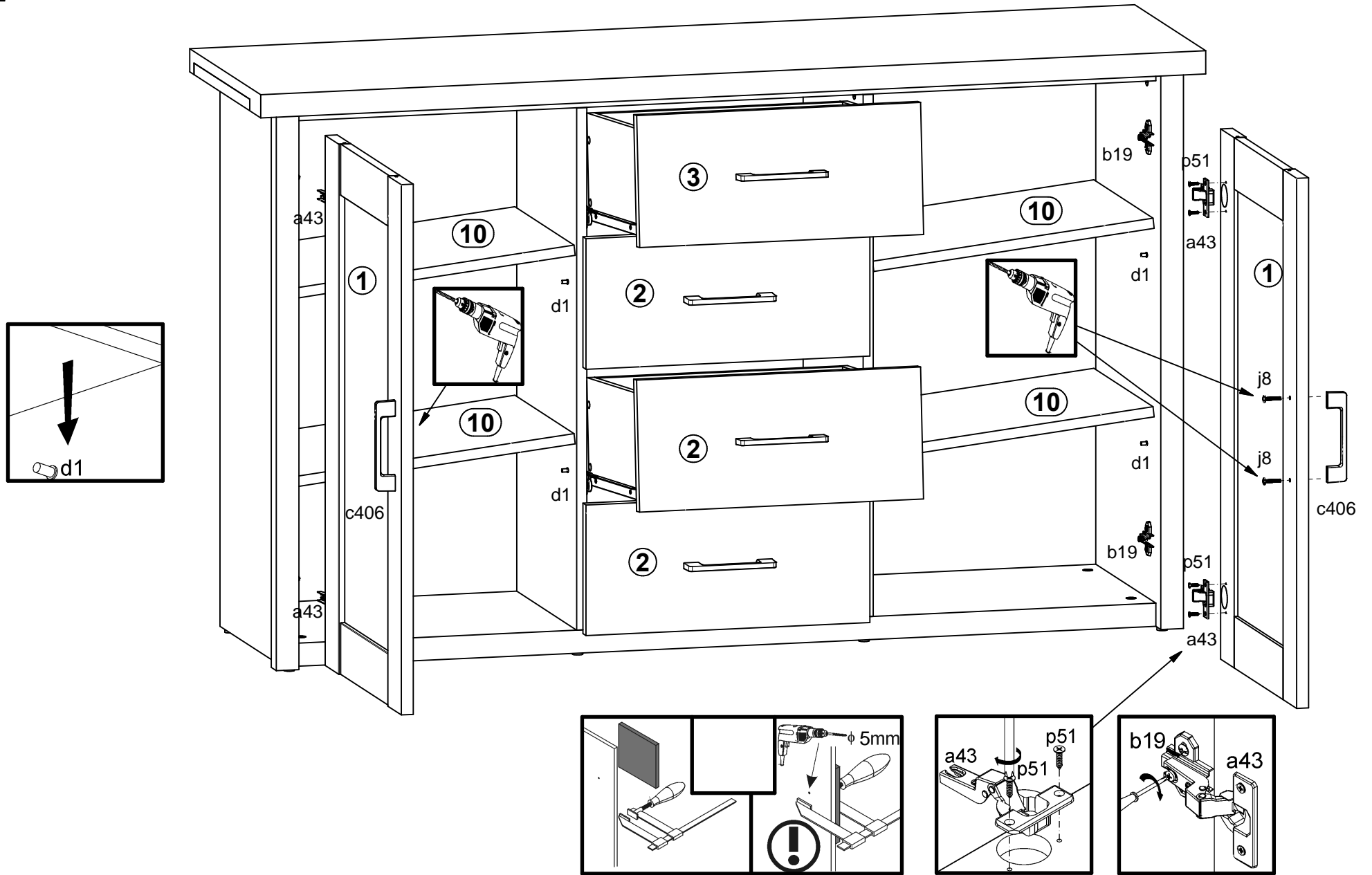
5



6



7



8

